

SHARP®

INSIGHT·PRO™



THE SHARP INSIGHT PRO™ RANGE WITH THE WORLD'S FIRST MICROWAVE DRAWER™

For over thirty years, Sharp has been the name to trust for cooking innovations like the Carousel® microwave turntable and the High Speed Oven. Now Sharp applies its expertise, fresh thinking and insight into how consumers really use their kitchens to develop a new kind of cooking product.

Introducing the remarkable Insight Pro Range. This 3-in-1 cooking center combines a glass ceramic cooktop, conventional and convection oven, and Sharp's exclusive Microwave Drawer in a single space-saving appliance. While all this cooking versatility occupies a width of only 30 inches, its two spacious ovens offer the capacity to microwave a 9"x13" pan of lasagna or roast a 25-pound turkey.

If you like to cook and you use your microwave frequently, you'll love Insight Pro's convenience and flexibility. Whether your menu calls for defrosting an entree in the microwave, simmering a stew on the cooktop or convection roasting a holiday turkey to perfection, Insight Pro does it all — beautifully. A perfect blend of style and convenience, the Insight Pro Range is your kitchen's sleekest secret.





THE WORLD'S FIRST MICROWAVE DRAWER
The clever design of the Insight Pro Range takes the microwave off the counter and places it right at the most convenient height, making stirring food easier and safer. It's ideal for people who use their microwave frequently and an innovative solution that answers the key question of where to put the microwave.

HIGH-PERFORMANCE FEATURES COMPLEMENT THE WAY YOU COOK

With a wealth of practical features, the Insight Pro Range is as smart as it is beautiful. **Front-mounted glass touch controls** are angled for convenience and safety, eliminating the need to lean over a hot cooktop. They're easy to view and easy to clean, and their intuitive operation makes them simple to program for both conventional and convection baking, broiling and roasting. The smooth ceramic cooktop includes a **warming zone** to make meal coordination simple. The **EZ Pull oven racks** let you slide even the heaviest turkey out of a hot oven with ball bearing ease. Sharp's renowned microwave **sensor technology** eliminates guesswork so preparing microwave foods is virtually foolproof. And, for even greater convenience, the **automatic Microwave Drawer** opens with the touch of a button.

Cooking with the Insight Pro Range is deliciously easy with **True European convection**. Incorporating a third rear heating element, its fan continually circulates hot air throughout the lower oven cavity for more even cooking. Now you can bake multiple racks of delicious cookies or crusty breads at the same time with superb results. And convection broiling lets you keep the door closed, helping meats brown beautifully while sealing in juices that make food more succulent.



- Adjustable-height backsplash on freestanding models offers seven positions
- EZ Pull oven racks are ideal for heavier foods
- User-friendly touchscreen navigation guides you with step-by-step directions and helpful tips





Insight Pro's 3-in-1 cooking center eliminates steps between appliances, creating a highly efficient kitchen traffic pattern. Its front-mounted touch controls, oven and cooktop control locks, and superb microwave accessibility also make the Insight Pro Range both safe and convenient for every cook in the family.

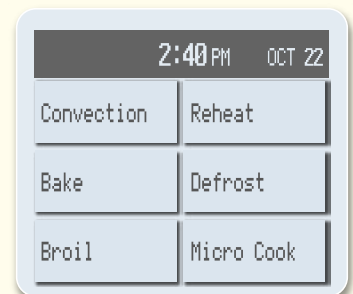
HIGH-TECH TOUCHSCREEN NAVIGATION IS PRACTICAL AND EASY TO USE



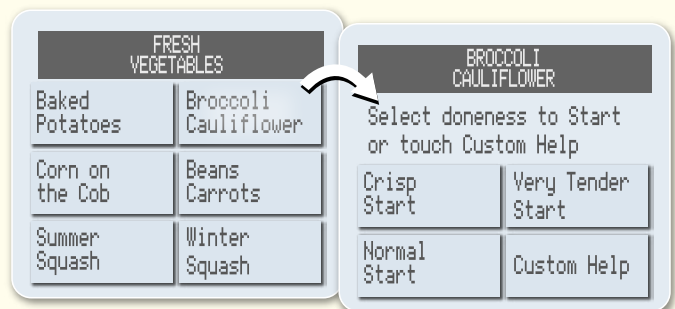
With its smart **touchscreen navigation**, the Insight Pro range puts sophisticated cooking technology right at your fingertips. Its user-friendly touchscreen guides you through the cooking process with step-by-step directions and helpful tips. It's easy to set the clock, oven temperature or cooking time, and the touchscreen provides status information like actual oven temperature or power level. You can even adjust the volume of audible signals and lock the lower oven or cooktop controls for child safety.

With virtually no guesswork, cooking couldn't be easier. For perfectly microwaved broccoli, simply tap the backlit touchscreen to select Automatic Cooking. Then choose Fresh Vegetables, Broccoli and your choice of Crisp or Tender. Insight Pro automatically determines the right power levels and cooking times, and even prompts you to trim the vegetables and whether to cover the dish. The on-screen microwave recipes also make mealtime more interesting with a selection of delicious new dishes you can make quickly and easily.

One of Insight Pro's most exciting features is its exclusive **Custom Conversion technology**. Experienced cooks know that convection ovens may cook food faster and at different temperatures than standard ovens. But most convection ovens offer automatic conversion features that adjust only for general categories like "Baked Goods." Insight Pro pinpoints exact time and temperature settings for specific foods, adjusting automatically to perfectly cook baked goods like "Bundt Cake," "Cheesecake" or "Angel Food Cake." No longer will you have to tolerate experimentation and a long learning curve. You'll enjoy superb results from the very first time you convection bake or roast.



Convection Oven



Microwave Oven



Insight Pro's **touchscreen** menu offers Bake, Broil, Reheat, Defrost and Microwave Cook options, as well as three convection settings: Convection Bake, Convection Roast and Convection Broil. Each convection selection automatically activates the fan plus the ideal combination of top, bottom and rear heating elements for each type of cooking.

HIGH-STYLE DESIGN COMPLEMENTS THE WAY YOU LIVE

The Insight Pro Range offers a sleek, integrated look that complements a wide range of decors from traditional to contemporary. It's ideal in smaller kitchens, islands or modern open-plan designs that offer lots of open space but little overhead cabinetry, leaving few places suitable for a microwave. By incorporating the microwave within the range itself, Insight Pro eliminates awkward installations and cluttered countertops while allowing the use of a stylish ventilation hood above the range. It's an easy and cost-effective option requiring virtually no installation.

Design Flexibility

- Compact 3-in-1 appliance maximizes valuable countertop space
- Adjustable height backsplash on freestanding models offers seven positions to match existing wall treatments or new designs
- Slide-in models provide a seamless appearance between range and countertop
- Ideal companion to a stylish range hood or even a Sharp Over the Range microwave oven
- Available in slide-in or freestanding 30-inch models

Sophisticated Style

- Large viewing windows create a unified look while concealing both ovens
- Integrated handles and glass touchscreen lend a sleek appearance
- Choice of stainless steel, white or black finishes



With fresh insights into cooking and kitchen design, Sharp puts innovation and cooking convenience right at your fingertips. It's the most innovative answer yet for where to put the microwave.



KB-4425JS

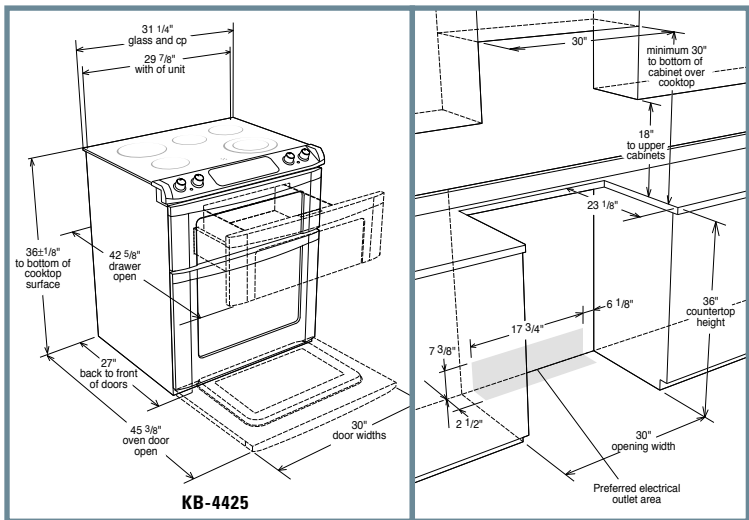
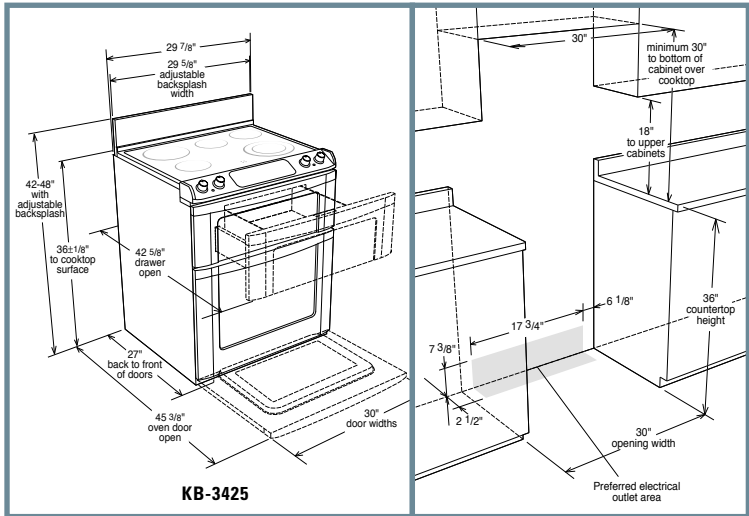


KB-3425JW



KB-3425JK

SPECIFICATIONS



Outside Dimensions

KB-3425: 29 7/8" W x 36 +/- 1/8" H to cooktop surface plus 6"-12" height of adjustable backsplash x 27" D to front of doors

KB-4425: 31 1/4" W x 36 +/- 1/8" H to cooktop surface x 27" D to front of doors

Approximate Shipping Weight

KB-3425: 281 lbs.

KB-4425: 281 lbs.

Power/Ratings

Amp rating at 240 / 208V: 50 amps.

kW rating at 240V: 13.0

kW rating at 208V: 10.0

Safety Compliance

FCC, DHHS, UL listed

UPC Codes

KB-3425JS : 074000612457 KB-4425JS : 074000612396

KB-3425JW : 074000612471 KB-4425JW : 074000612419

KB-3425JK : 074000612464 KB-4425JK : 074000612402

Limited Warranty: 1-year parts and 1-year labor with in-home service.

The warranty continues for an additional 4 years, for a total of 5 years, on the glass ceramic cooktop, radiant surface units and magnetron tube for parts only.

Sharp Electronics Corporation

Sharp Plaza, Mahwah, NJ 07430-2135

Call: 1-866-RANGE99 or visit www.sharpsusa.com/insight

	FEATURES	KB-3425JS/JW/JK Freestanding electric	KB-4425JS/JW/JK Slide-in electric
Controls	Front-mounted glass touch controls, angled for easy viewing	•	•
	Active LCD Touchscreen for Microwave and Lower Oven	•	•
	Kitchen timers	2	2
	Control lock / Demonstration mode	•	•
Cooktop	Electric glass ceramic cooktop	•	Frameless
	Infinite heat control with knobs	•	•
	6" ribbon heating element	2 (1200W)	2 (1200W)
	8" ribbon heating element	1 (2000W)	1 (2000W)
	Dual 6" / 9" ribbon heating element	1 (1200W/2400W)	1 (1200W/2400W)
	6" Warming Zone	1 (100W)	1 (100W)
	Hot surface indicator lights	4	4
Microwave Drawer	1.0 cu. ft. capacity	•	•
	1000W output power	•	•
	Microwave Drawer opening system	Automatic	Automatic
	Automatic Cooking (sensor, popcorn, preprogrammed settings)	36 categories	36 categories
	Automatic Recipes	16	16
	Automatic Reheat/Defrost	6 categories each	6 categories each
	Microwave Keep Warm	up to 30 minutes	up to 30 minutes
	Variable power levels	11	11
	Programmable stages	4	4
	Clock and Minute Plus	•	•
	Interior oven light	•	•
Lower Oven	Cooking System	True European Convection with third element	True European Convection with third element
	Thermal Bake/Broil	•	•
	Convection Bake/Broil	•	•
	Self-cleaning with auto-locking door	•	•
	Oven capacity	3.6 cu. ft.	3.6 cu. ft.
	Oven racks	2 EZ Pull / 1 standard	2 EZ Pull / 1 standard
	Interior oven light with on/off key	•	•
	Large viewing window	•	•
	Quick Set options for Baking & Broiling	•	•
	6-Pass Broiling element	•	•
	Digital temperature display	•	•
	Delay Start for cooking or cleaning	•	•
	Numeric time / temperature entry	•	•
	Timed Cook / Warm mode	•	•
Lock oven door option	•	•	
Audible preheat signal	•	•	
Low temperature (100°F) for proofing	•	•	
Automatic oven shut-off with override	•	•	
Automatic convection conversion	•	•	
Broiler pan with grid & roasting rack	•	•	
Porcelain enamel oven interior	•	•	
Color/Design	Adjustable height backsplash	7 positions (6"-12")	---
	Integrated handles	•	•
	Color	KB-3425JS stainless	KB-4425JS stainless
		KB-3425JW white	KB-4425JW white
	KB-3425JK black	KB-4425JK black	

Design and specifications subject to change without notice. For additional information, including complete dimensions and installation instructions, please visit www.sharpsusa.com/insight.