

INSTALLATION MANUAL

SPECIAL WARNING

**INSTALLATION AND SERVICE MUST BE PERFORMED BY A QUALIFIED INSTALLER.
IMPORTANT: SAVE THIS INSTALLATION MANUAL FOR LOCAL ELECTRICAL
INSPECTOR'S USE.
READ AND SAVE THESE INSTRUCTIONS FOR FUTURE REFERENCE.**

CLEARANCES & DIMENSIONS

For SAFETY CONSIDERATIONS do not install a appliance in any combustible cabinetry which is not in accord with the stated clearances and dimensions on page 2. See Figures 1 and 2.



APPLIANCE MEASUREMENTS.....	2	CHECKING INSTALLATION.....	6
CLEARANCES AND DIMENSIONS	2	ELECTRICAL CONNECTIONS	6
IMPORTANT NOTES.....	3	POWER CONNECTIONS	7
UNPACKING AND EXAMINING YOUR APPLIANCE	3	MODEL AND SERIAL NUMBER LOCATION	8
IMPORTANT SAFETY INSTRUCTIONS.....	3	CARE, CLEANING AND MAINTENANCE	8
INSTALLATION, ANTI-TIP	4-6	BEFORE YOU CALL FOR SERVICE	8

INSTALLATION MANUAL

APPLIANCE MEASUREMENTS

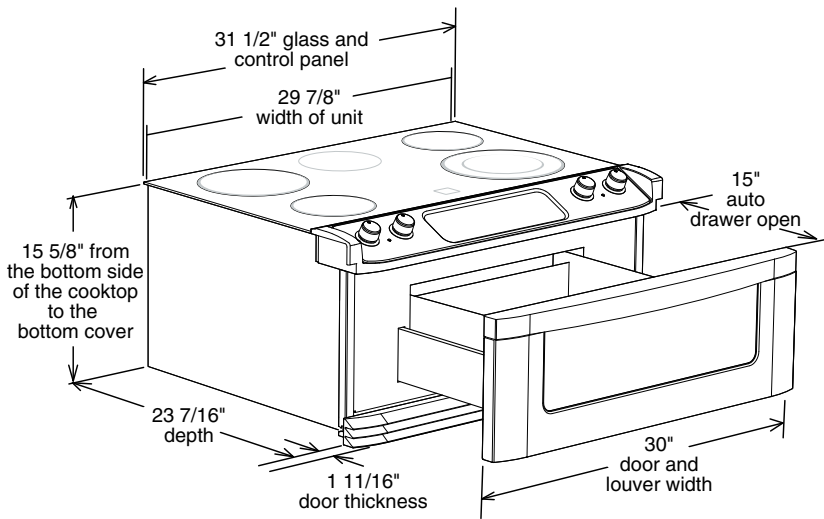


Figure 1

Figure 1 contains many appliance measurements for reference when planning your kitchen and/or appliance location.

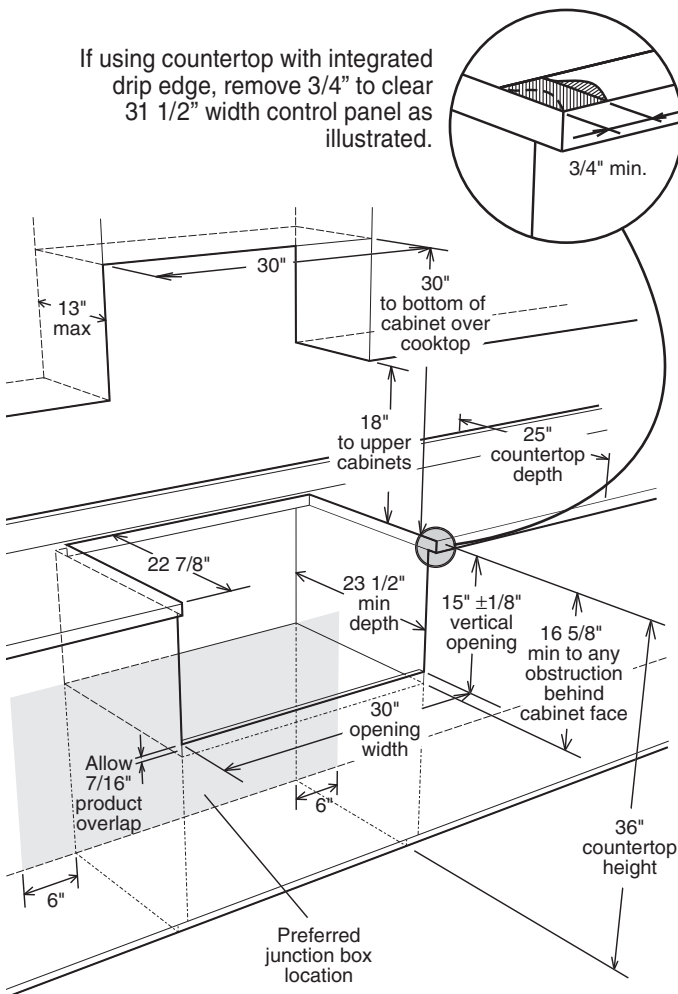


Figure 2

CLEARANCES AND DIMENSIONS

- Provide adequate clearances between the appliance and adjacent combustible surfaces.
- Dimensions that are shown in Figures 2 and 3 must be used. Given dimensions provide minimum clearance. There needs to be a 30-inch minimum clearance between the top of the cooking surface and the bottom of upper unprotected wood or metal cabinets or a 24-inch minimum when bottom of upper wood or metal cabinets are protected by not less than a 1/4-inch flame retardant millboard covered with not less than no. 29 msg sheet-steel, 0.015-inch stainless steel, 0.024-inch aluminum or 0.020-inch copper. The gray shaded area in the lower part of Figure 2 indicates the location for the electrical junction box.
- Contact surface must be solid and level. Pay special attention to the countertop. Be sure it is solid enough for the weight of the appliance.
- Check location where the appliance will be installed for proper electrical supply.

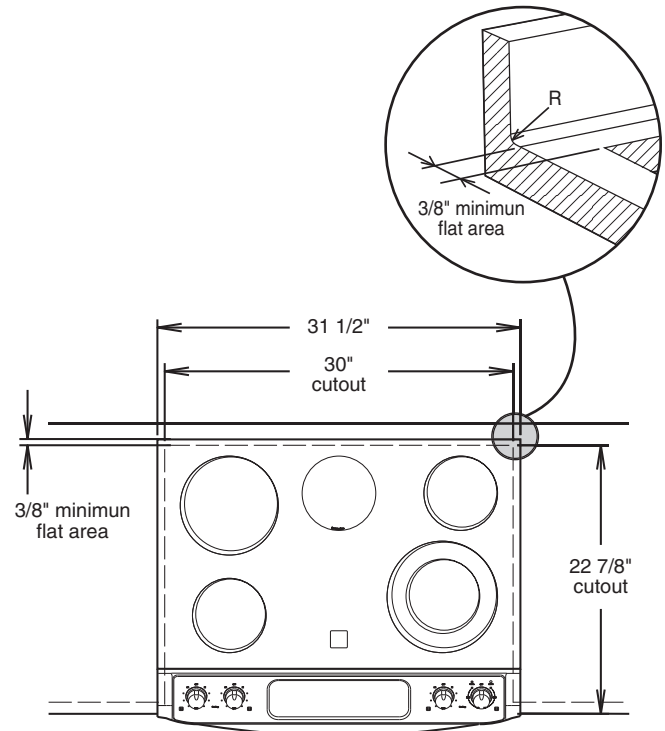


Figure 3

To eliminate the risk of burns or fire by reaching over the cooktop, cabinet storage space located above the cooktop should be avoided. If cabinet storage is to be provided, the risk can be reduced by installing a range hood that projects horizontally a minimum of 5" beyond the bottom of the cabinets.

IMPORTANT NOTES TO THE INSTALLER

- Read all of the Installation Manual before installing the appliance.
- Remove all packing material from the drawer and cooktop before connecting the electrical supply to the appliance.
- Observe all governing codes and ordinances.
- Be sure to leave these instructions with the consumer.

IMPORTANT NOTES TO THE CONSUMER

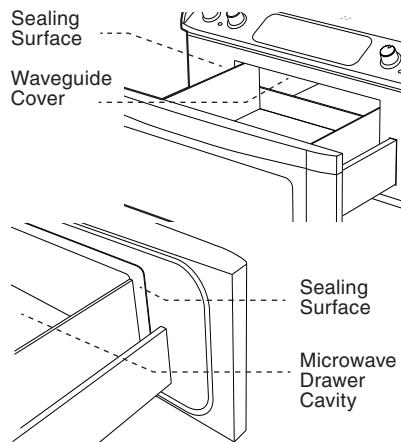
Keep this manual with your Operation Manual for future reference.

- As when using any appliance generating heat, there are certain safety precautions you should follow. These are listed in the Operation Manual. Read all and follow carefully.
- Be sure your appliance is installed and grounded properly by a qualified installer or service technician. See page 7.
- To eliminate the need to reach over the cooktop, cabinet storage space above the cooktop should be avoided or a range hood installed.

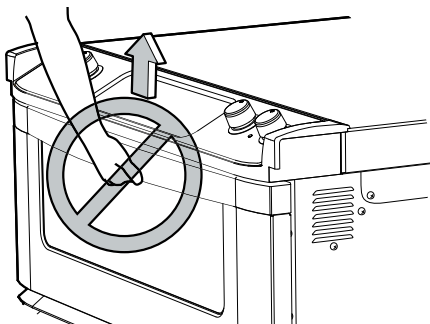
UNPACKING AND EXAMINING YOUR APPLIANCE

1 Remove all packing materials from inside the Microwave Drawer. **DO NOT REMOVE THE WAVEGUIDE COVER**, which is located on the top of the Microwave Drawer cavity.

2 Remove the feature sticker, if there is one. Check the drawer for any damage, such as misaligned or bent drawer, damaged drawer seals and sealing surfaces, broken or loose drawer guides and dents inside the drawer or on the front side of the drawer. If there is any damage, do not operate the Microwave Drawer and contact your dealer or a SHARP AUTHORIZED SERVICER.



IMPORTANT Do not lift or move this appliance by the Microwave Drawer handle.



IMPORTANT SAFETY INSTRUCTIONS

WARNING If the information in this manual is not followed exactly, a fire or electrical shock may result causing property damage, personal injury or death.



• **ALL APPLIANCES CAN TIP**

• **INJURY TO PERSONS COULD RESULT**



• **INSTALL ANTI-TIP BRACKET PACKED WITH APPLIANCE**

WARNING To reduce the risk of tipping the appliance, it must be secured by the Anti-Tip bracket attached to the appliance. See page 4 and page 6.

- This appliance must be electronically grounded in accordance with local codes, or in their absence, with the National Electrical Code ANSI/NFPA No. 70—latest edition in United States.
- The installation of appliances designed for manufactured (mobile) home installation must conform with Manufactured Home Construction and Safety Standard, title 24CFR, part 3280 [Formerly the Federal Standard for Mobile Home Construction and Safety, title 24, HUD (part 280)] or when such standard is not applicable, the Standard for Manufactured Home Installation 1982 (Manufactured Home Sites, Communities and Setups), ANSI Z225. 1/NFPA 501A- latest edition, or with local codes in United States.
- Make sure the wall coverings and the cabinets around the appliance can withstand the heat generated by the appliance.

WARNING Never leave children alone or unattended in the area where an appliance is in use. As children grow, teach them the proper, safe use of all appliances.

WARNING Stepping, leaning or sitting on the drawer of this appliance can result in serious injuries and can also cause damage to the appliance.

- **Do not store items of interest to children in the cabinets above the appliance.** Children could be seriously burned climbing on the appliance to reach items.
- To eliminate the need to reach over the cooktop, cabinet storage space above the cooktop should be avoided.
- **Do not use the drawer as a storage space.** This creates a potentially hazardous situation.
- **Never use the appliance for warming or heating the room.**
- **Do not store or use gasoline or other flammable vapors and liquids near this or any other appliance.** Explosions or fires could result.
- **Reset all controls to the “off” position after using a programmable timing operation.**

INSTALLATION MANUAL

INSTALLATION

- Review and plan ahead all safety instructions, cabinet clearances and dimensions, power supply placement and electrical requirements before installing.
- Proper installation is the responsibility of the installer and product failure due to improper installation is not covered by warranty.

Note: This appliance must be properly grounded

Attention Installer: This appliance must be hard wired (direct wired) into an approved junction box. A plug and receptacle is NOT permitted on this product.

A SELECTING 208 OR 240 VOLT CONNECTION

This appliance can be set for 208V or 240V. The voltage setting for your appliance is pre-set at 240V from the factory. Follow these steps to change the voltage setting.

- 1 Locate the voltage switch on the left side of the appliance (facing the front). See Figure 4.
- 2 Remove the screw and rotate the switch plate 180° as indicated in the Figure 5.
- 3 Reinsert the switch plate and replace screw as indicated in Figure 6. The voltage setting is indicated by the visible marking.

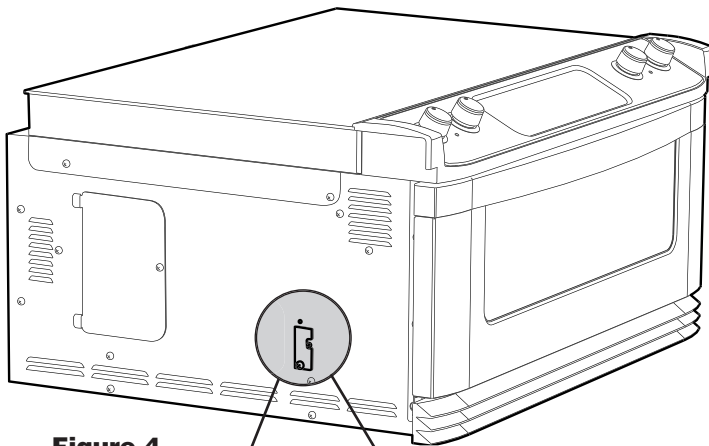


Figure 4

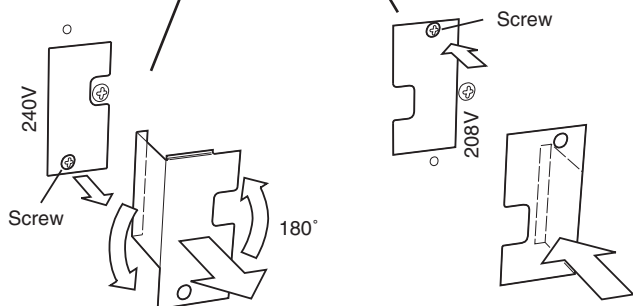


Figure 5

Figure 6

B ADJUSTING ANTI-TIP BRACKET

Measure the thickness of the counter. See Figure 7. Locate the Anti-Tip Bracket on the backside of the appliance. See Figure 8. Loosen screws and adjust space between the glass cooktop and bracket to match the counter thickness plus 1/16". See Figure 9. Tighten the screws to secure the bracket at the correct counter height dimension.

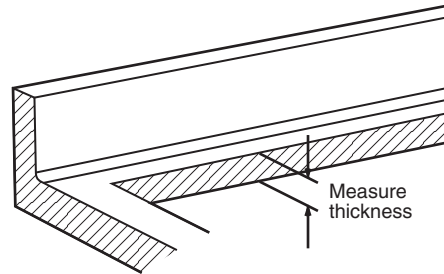


Figure 7

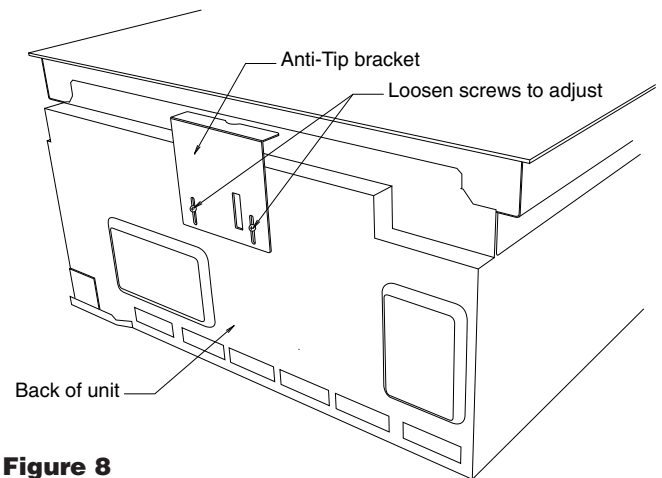


Figure 8

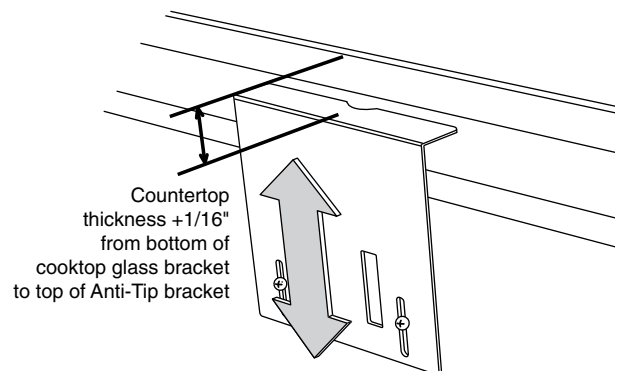


Figure 9

C INSTALL THE STOP SCREWS

IMPORTANT Confirm all cut-out openings and clearances as indicated on page 2 before installing the appliance. These two stop screws prevent the appliance from sliding out of position during operation. Attach the stop screws (supplied in the screw bag) to the right and left sides of the cabinet opening as specified. See Figure 10. Use a 1/16" drill bit to pre-drill holes.

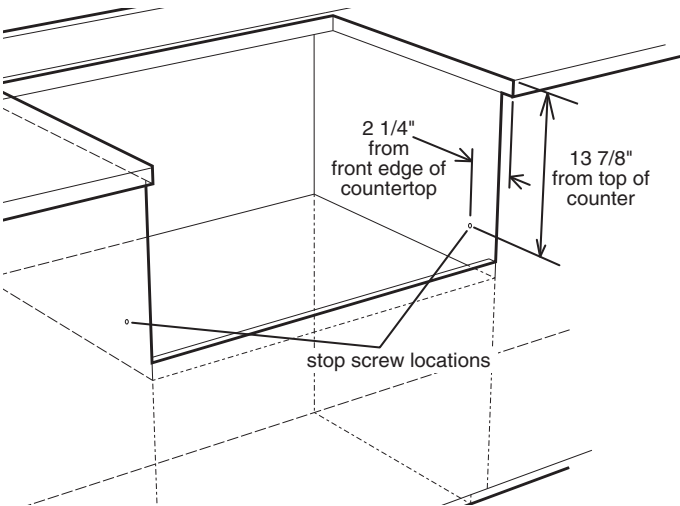


Figure 10

D IMPORTANT Do not lift or move this appliance by the Microwave Drawer handle.

POSITION THE APPLIANCE IN FRONT OF THE OPENING AND PLACE THE ELECTRICAL CONDUIT CLOSE TO THE LOCATION OF THE JUNCTION BOX.

If needed, drill a 1" hole in the cabinet side or bottom to allow the conduit access to the junction box. **DO NOT CONNECT** until installation of the appliance is complete in the cabinet.

E PLACE THE APPLIANCE INTO OPENING

It is suggested that two people lift the appliance into place, carefully setting the side metal flanges under the cooktop glass on the edges of the countertop opening. Check that the appliance clears the cabinet face frame. Tilt the appliance as you slide it back so that it will clear. The unit will have to be pushed in until the front feet are behind the cabinet face frame. See Figure 11.

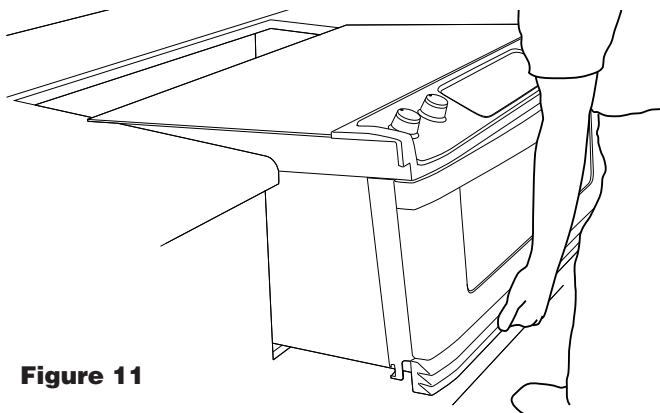


Figure 11

F PUSH THE UNIT BACK UNTIL IT HITS THE STOP SCREWS INSTALLED IN STEP "C" See Figure 12.

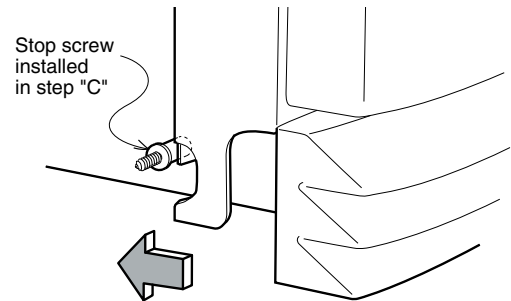


Figure 12

G LIFT THE FRONT OF THE UNIT UP SLIGHTLY (ABOUT 1/2") AND PUSH BACK UNTIL THE SLOTS ON THE MOUNTING BRACKET ENGAGE THE STOP SCREWS. See Figure 13.

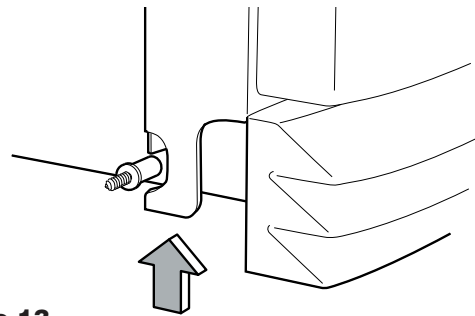


Figure 13

H LOWER THE APPLIANCE UNTIL IT RESTS ON THE COUNTERTOP.

Confirm that the slots on the mounting bracket have engaged the stop screws. See Figure 14.

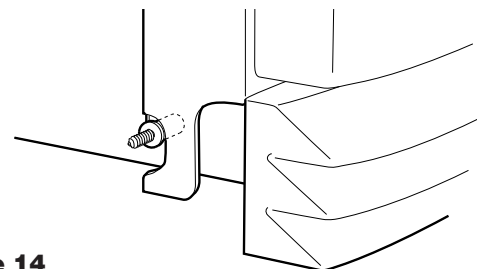


Figure 14

If the cooktop does not fit properly on the counter top, the mounting bracket may not be positioned properly on the stop screws. To correct, slide the appliance out one inch and follow instructions from **F** above.

INSTALLATION MANUAL

1 MAKE SURE THE EDGE OF THE COUNTERTOP FITS FLUSH AGAINST THE END OF THE FRONT CONTROL PANEL. See Figure 15.

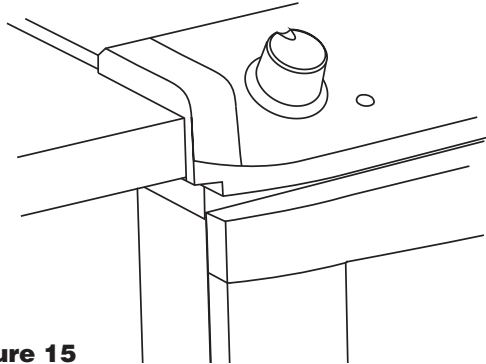


Figure 15

CHECKING INSTALLATION

To check if the device is installed and engaged properly, open the Microwave Drawer fully and gently apply medium force in the center of the handle until movement of the appliance is detected. Continue pressing until the Anti-Tip bracket is engaged and movement stops. A small amount of movement is acceptable at the back of the appliance top, but it should be stable and not tip once the Anti-tip bracket is engaged. Stop pressing on the Microwave Drawer handle and close.

To check that the unit will not slide out, open the Microwave Drawer fully and then apply gentle outward pressure. The unit should not slide toward you. If the unit does slide, check installation beginning with **C** on page 5.

ELECTRICAL CONNECTIONS

ELECTRICAL REQUIREMENTS

This appliance must be supplied with the proper voltage and frequency, and connected to an individual, properly grounded branch circuit, protected by a circuit breaker or fuse having amperage as noted on the rating plate. (Rating Plate is located on the faceplate behind the Microwave Drawer front.) See Figure 16.

Breaker or fuse size:

240V	40 Amps
208V	40 Amps

NOTE: Check Local Codes for required breaker size.

All electrical wiring and hookup for this appliance should be by a qualified electrician.

Be familiar where the main appliance disconnect is located.

Check with local utilities for electrical codes which apply in your area. Failure to wire your appliance according to governing codes could result in hazardous conditions. If there are no local codes, your appliance must be wired and fused to meet the requirements of the

National Electrical Codes, ANSI/NFPA No. 70-Latest Edition.

Effective January 1, 1996, the national Electrical Code requires that new, but not existing, construction utilize a four-conductor connection for this appliance class. When installing this appliance in new construction, a mobile home, recreational vehicle or an area where local codes prohibit grounding through the neutral conductor, follow the instructions in the section on NEW CONSTRUCTION AND FOUR-CONDUCTOR BRANCH CIRCUIT CONNECTOR.

⚠ WARNING ELECTRICAL SHOCK HAZARD

- **Electrical ground is required on this appliance.**
- Do not connect to the electrical supply until appliance is permanently grounded.
- **DISCONNECT POWER TO THE CIRCUIT BREAKER OR FUSE BOX BEFORE MAKING THE ELECTRICAL CONNECTION.**
- This appliance must be connected to a grounded, metallic, permanent wiring system or the grounding connector of the power cord should be connected to the grounding terminal or wire lead on the appliance.
- Do not use a gas supply line for grounding this appliance.
- Failure to heed these warnings could result in a fire, personal injury or electrical shock.

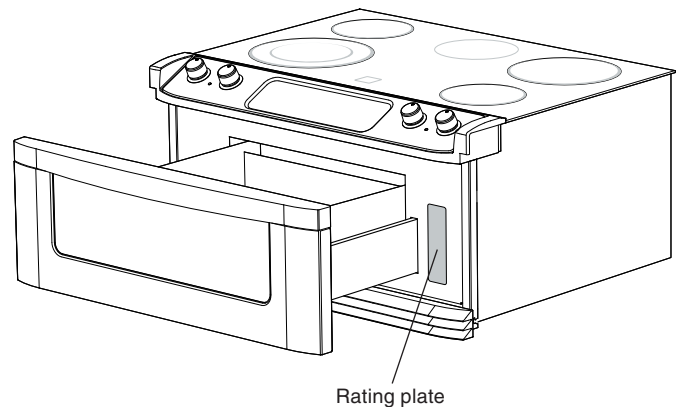


Figure 16

POWER CONNECTIONS

This appliance is manufactured with a neutral (white) power supply wire and a cabinet-connected green grounding wire.

Connect the appliance cable to the junction box through the UL-listed conduit connector. Complete electrical connection according to local codes and ordinances. For preferred junction box location, see Figure 2, page 2.

NOTE TO ELECTRICIAN: The armored cable leads supplied with this appliance are UL recognized for connection to larger gauge household wiring. The installation of the leads is rated at temperatures much higher than the temperature rating of household wiring. The current carrying capacity of the conductor is governed by the temperature rating of the installation around the wire, rather than the wire gauge alone.

⚠ WARNING Improper connection of aluminum house wiring to copper leads can result in an electrical hazard or fire. Use only connectors designed for joining copper to aluminum and follow manufacturer's recommended procedure closely.

GENERAL NOTE FOR WIRE NUT APPLICATIONS:

The proper size wire nut shall be placed over the stripped leads and the wire nut twisted until the wire nut can not be pulled from the leads. No conductor shall be exposed in the connection.

4-WIRE CONNECTION

When installing to a 4-wire electrical system, new construction, mobile home and recreational vehicle or when local codes do not permit grounding through neutral.

- 1 Disconnect the power supply.
- 2 In the junction box connect the appliance and residence cable wires as shown in Figure 17.

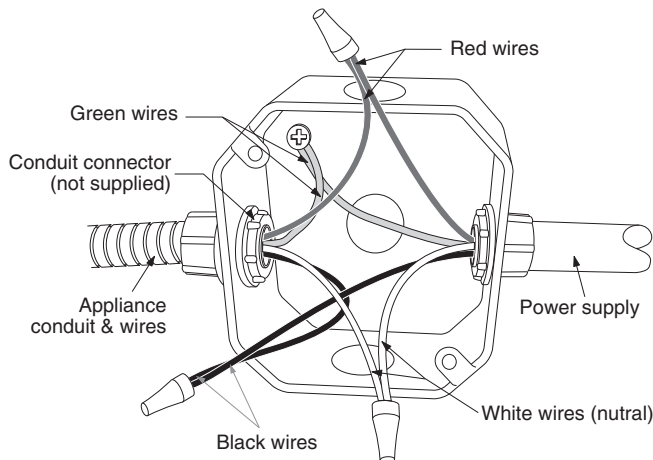


Figure 17

3-WIRE CONNECTION

When local codes permit connecting the cabinet-grounding conductor to the neutral (white) wire.

- 1 Disconnect the power supply.
- 2 In the junction box connect the appliance and residence cable wires as shown in Figure 18.

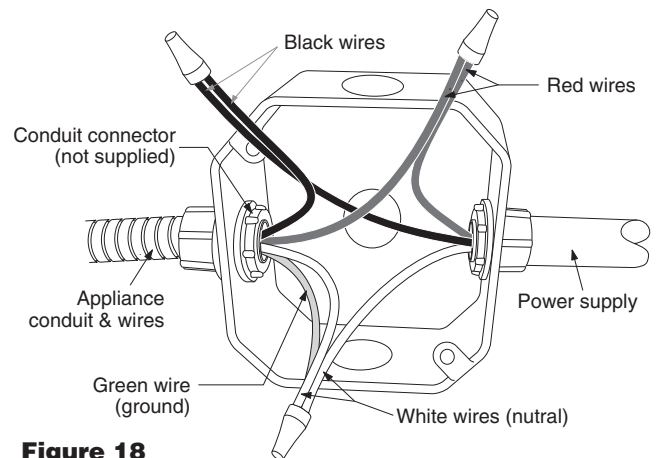


Figure 18

REINSTALL JUNCTION BOX COVER

Do not shorten the flexible conduit. The conduit strain relief clamp (supplied by installer) must be securely attached to the junction box and the flexible conduit must be securely attached to the clamp. If the flexible conduit will not fit with the junction box, do not install the appliance until a clamp of proper size has been obtained.

INSTALLATION MANUAL

MODEL AND SERIAL NUMBER LOCATION

The Rating Plate, including model and serial number, is located on the faceplate behind the Microwave Drawer front.

CARE, CLEANING AND MAINTENANCE

Refer to the Operation Manual for cleaning instructions. If removing the appliance is necessary for cleaning or maintenance, disconnect the electrical power supply. Reinstall in reverse order making sure to level the appliance and check electrical connections. See pages 4 and 5 for proper installation instructions.

BEFORE YOU CALL FOR SERVICE

Read the BEFORE YOU CALL and operating instruction sections in your Operation Manual. It may save you time and expense. The list includes common occurrences that are not the result of defective workmanship or materials in this appliance.

Refer to the warranty in your Operation Manual for our toll-free service number and address. Please call or write if you have inquiries about your appliance product and/or need to order parts.

SHARP[®]

SHARP ELECTRONICS CORPORATION

Sharp Plaza, Mahwah, New Jersey 07430-2135