

Induction Cooktop: SDH3042DB, SDH3652DB INSTALLATION MANUAL

SPECIAL WARNING

INSTALLATION AND SERVICE MUST BE PERFORMED BY A QUALIFIED INSTALLER.

IMPORTANT: SAVE this installation manual FOR LOCAL ELECTRICAL INSPECTOR'S USE.

READ AND SAVE THESE INSTRUCTIONS FOR FUTURE REFERENCE.

IMPORTANT NOTES TO THE INSTALLER

- Read all of the Installation Manual before installing the Induction cooktop.
- Remove all packing material before connecting the electrical supply.
- Observe all governing codes and ordinances.
- Be sure to leave these instructions with the consumer.
- All cooktops must be hard wired (direct wired) into an approved junction box. A “plug and receptacle” is not permitted on these products.

IMPORTANT SAFETY INSTRUCTIONS

⚠ WARNING If the information in this manual is not followed exactly, a fire or electrical shock may result that could cause property damage, personal injury or death.

⚠ WARNING Never leave children alone or unattended in the area where a cooktop is in use.

⚠ WARNING Stepping, leaning or sitting on the cooktop may result in serious injuries and can also cause damage to the cooktop.

- For Your Safety: Do not store or use gasoline or other flammable vapors and liquids in the vicinity of this or any other appliance. To eliminate the risk of burns or fire due to overheating, cabinets located above the induction unit should be avoided. If cabinet space is available, the risk can be reduced by installing a range hood that protects horizontally at a minimum of 5 inches below the bottom of the cabinets
- To prevent accidents and achieve optimal ventilation, allow for sufficient space around the cooking area.

IMPORTANT INSTALLATION INFORMATION

- Dimensions that are shown in Figures 3 & 7 must be used. Given dimensions provide minimum clearance.
- Contact surface must be solid and level.
- Check location where the cooktop will be installed for proper electrical supply. Approximate location of junction box, min 12" (304.8mm) below the cooktop. See Figure 4.

- Your cooktop can be installed into a countertop by itself or above a gas or electric wall oven.
- All electric cooktops run off a single phase, three-wire cable, 240V/60Hz AC only electrical supply with ground. Minimum distance between cooktop and overhead cabinetry is 30".

BEFORE INSTALLING THE COOKTOP

1. Visually inspect the cooktop for damage. Also make sure all cooktop screws are on tight.
2. Record the model and serial number as found on the bottom of your cooktop. When ordering parts for or making inquiries about your cooktop, always be sure to include the model and serial numbers and a lot number or letter from the serial plate on your cooktop.
3. Prepare the cutout dimensions of the countertop.
4. Make sure the wall coverings, countertop and cabinets around the cooktop can withstand heat (up to 200°F) generated by the cooktop.
5. Gently lower the cooktop into the countertop cutout.

NOTE: Do not seal the cooktop to the countertop, the cooktop must be removable if service is necessary. The cooktops include spacers on both sides to ensure proper airflow once installed. Do not remove the spacers. See Figure 6.

ELECTRICAL CONNECTION

The Induction Cooktops must connect to a separate, single phase, AC Only electrical supply with their own circuit breaker. These appliances must be installed in accordance with National Electrical Codes, as well as all state, municipal and local codes. This appliance must be supplied with the proper voltage and frequency and amperage, which is protected by a properly sized circuit breaker or time delay fuse.

WARNING The cable from the appliance is equipped with 3-wire.

IMPORTANT: Use the 3-wire cable from Home Power Supply where local codes permit a 3-wire connection.

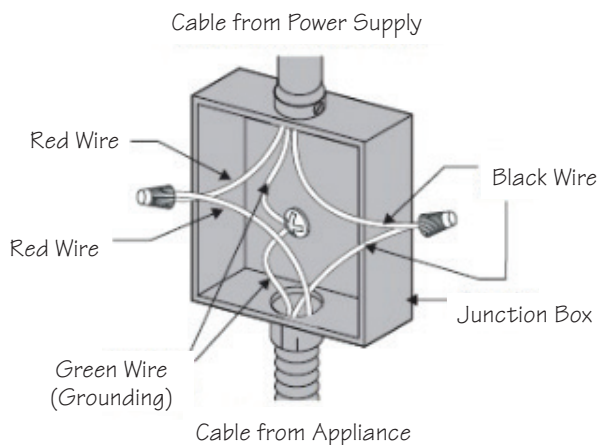
Use the 4-wire cable from Home Power Supply where local codes do not allow grounding through neutral.

Connecting to a 3-wire power OR 4-wire power supply cable electrical system

1. Disconnect the power supply.
2. In the circuit breaker, fuse box, or junction box, connect appliance and power supply cable wires as shown below (3-wire, Figure 1; 4-wire, Figure 2).
3. Circuit breaker fuse rating must be above 40 A, and wire should be 2/8 or 3/8 copper.
4. Minimum acceptable size of conductors should be no less than 10AWG, copper only, and no less than 167°F.
5. A wire-binding screw or stud used in the wire terminal should be 10 or larger.

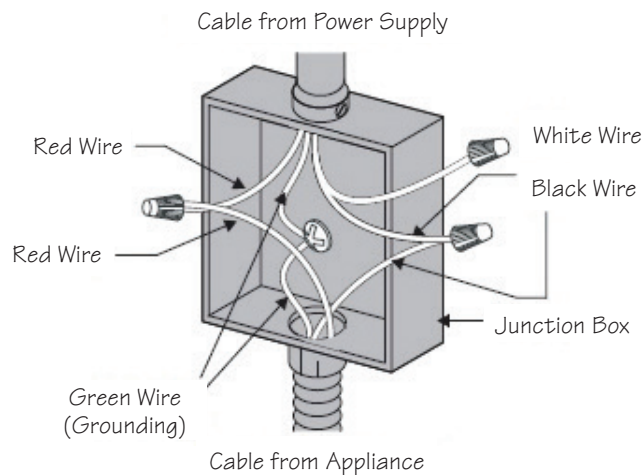
WARNING

- The electrical power to the cooktop must be shut off while line connections are being made. Failure to do so could result in serious injury or death.
- An extension cord must not be used with this appliance. Such use may result in a fire, electrical shock or other personal injury.



3-Wire Cable from Home Power Supply

Figure 1



4-Wire Cable from Home Power Supply

Figure 2

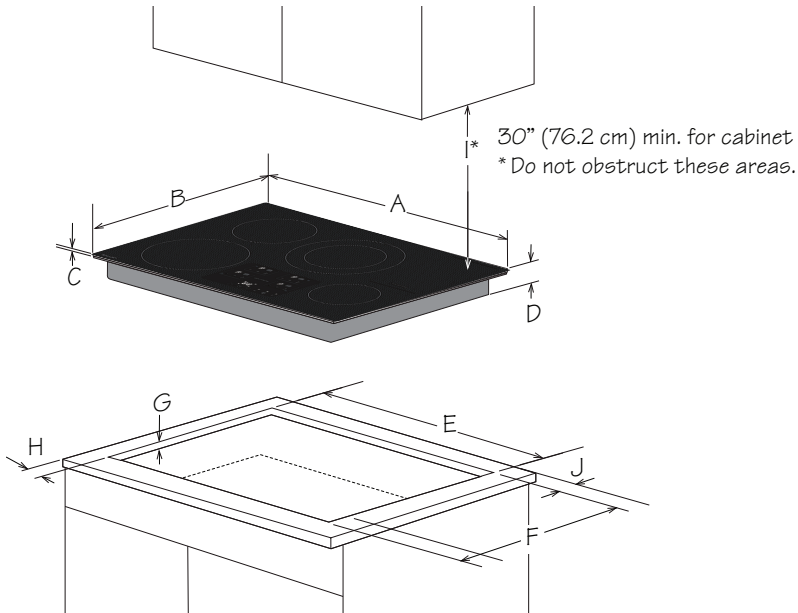
WARNING

The cooktop conduit wiring is approved for copper wire connection only, if you have aluminum house wiring, use only special connectors which are approved for joining copper and aluminum wires conform with local codes and ordinances. Follow the electrical connector manufacturer's recommended procedure closely.

IMPORTANT - Save for the local electrical inspector's use.

INSTALLATION — 30" MODEL SDH3042DB

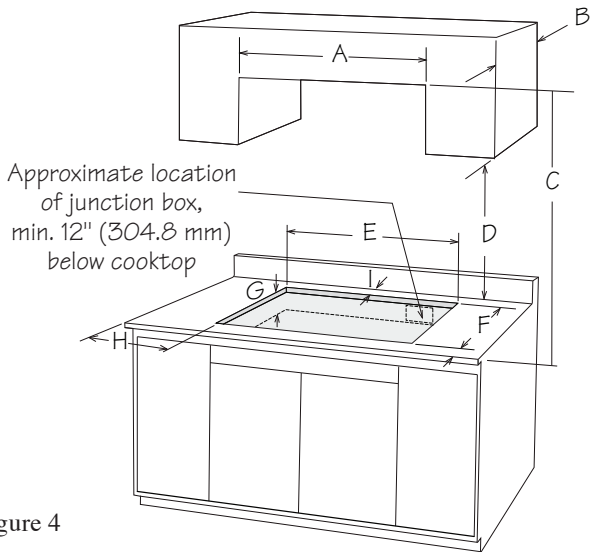
COOKTOP AND CUTOUT DIMENSIONS (See Figure 3)



- A. 30" (762 mm)
- B. 21" (533 mm)
- C. 5/32" (4 mm)
- D. 2-5/32" (55 mm)
- E. 29-5/8" (753 mm)
- F. 19-7/8" (505 mm)
- G. Minimum: 13/32" (10 mm)
Maximum: 25/32" (20mm)
- H. Minimum: 2" (51 mm)
- I. Minimum: 30" (762 mm)
- J. Minimum: 2" (51 mm)

Figure 3

COOKTOP CUTOUT OPENING DIMENSIONS (See Figure 4)



- A. 30" (762 mm)
- B. 13" (330 mm)
- C. 30" (762 mm) min to unprotected wood
- D. 18" (457 mm)
- E. 29-5/8" (753 mm)
- F. 19-7/8" (505 mm)
- G. 4-1/2" (114mm)
- H. Minimum: 2" (51 mm)
- I. Minimum: 2" (51 mm)

Figure 4

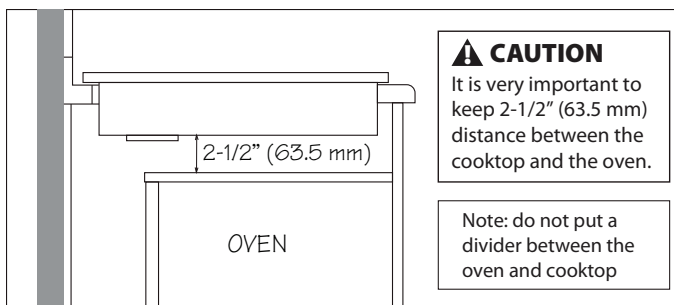


Figure 5

Spacer Graphic Profile

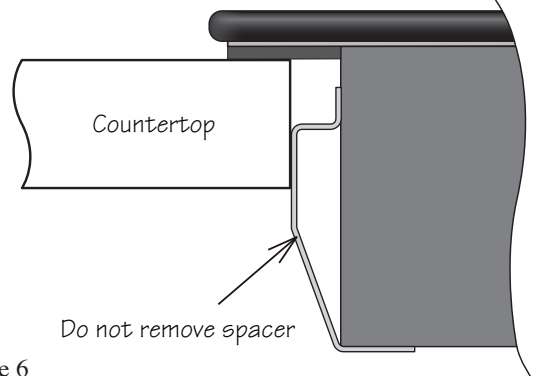
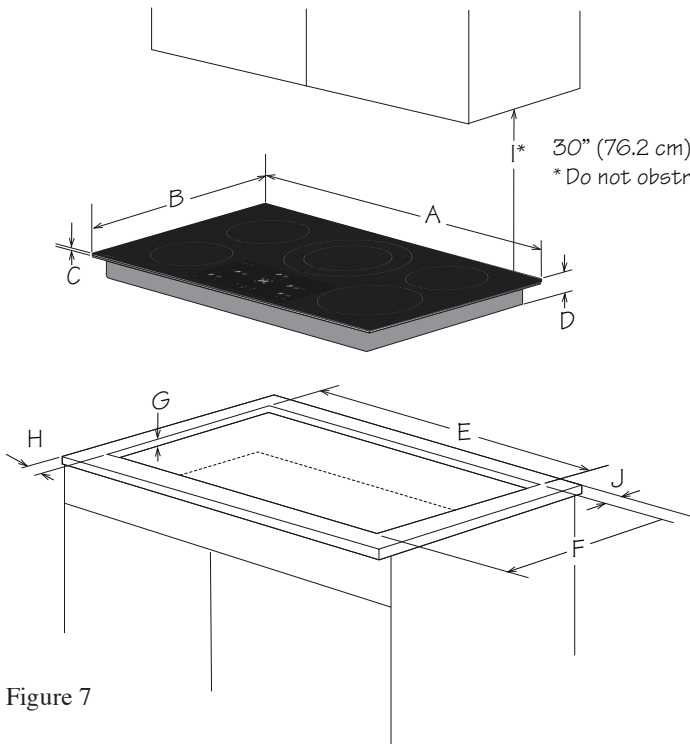


Figure 6

NOTE: The cooktops include spacers on both sides to ensure proper airflow once installed. Do not remove the spacers. See Figure 6 above.

INSTALLATION — 36" MODEL SDH3652DB

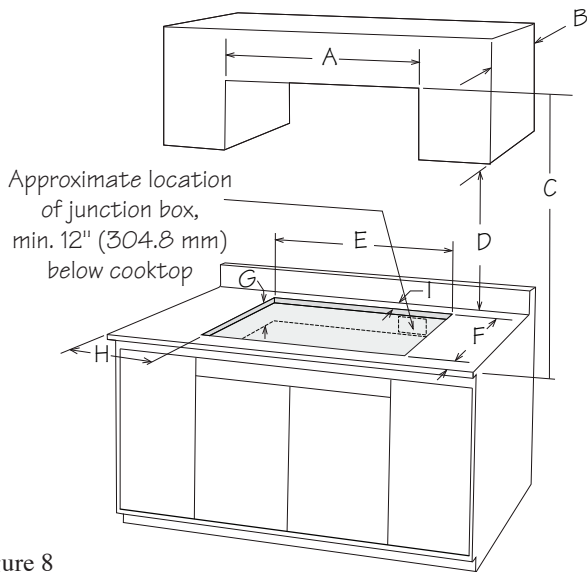
COOKTOP AND CUTOUT DIMENSIONS (See Figure 7)



- A. 36" (914 mm)
- B. 21" (533 mm)
- C. 5/32" (4 mm)
- D. 2-5/32" (55 mm)
- E. 35-3/8" (899 mm)
- F. 19-7/8" (505 mm)
- G. Minimum: 13/32" (10 mm) Maximum: 25/32" (20mm)
- H. Minimum: 2" (51 mm)
- I. Minimum: 30" (762 mm)
- J. Minimum: 2" (51 mm)

Figure 7

COOKTOP CUTOUT OPENING DIMENSIONS (See Figure 8)



- A. 36" (914 mm)
- B. 13" (330 mm)
- C. 30" (762 mm) min to unprojected wood
- D. 18" (457 mm)
- E. 35-5/8" (899 mm)
- F. 19-7/8" (505 mm)
- G. 4-1/2" min (114 mm)
- H. Minimum: 2" (51 mm)
- I. Minimum: 2" (51 mm)

Figure 8

AFTER INSTALLATION

1. Remove all the stickers and items from the top of the cooktop surface.
2. Clean cooktop before use. Dry with a soft cloth. See “Cleaning Your Cooktop” in the operation manual for reference.
3. Read “Using the Cooktop” in the operation manual.
4. Turn on the power to the cooktop.
5. Verify all functions operate properly.

NOTE: If the cooktop does not work, or you find any problem in your operation, please check that the circuit breaker has not tripped, or a fuse has not blown. For more information, please See Troubleshooting Guide in the operation manual. If you do not solve the problem by yourself, please contact us for assistance or service

FCC STATEMENT

This device complies with Part 18 of the FCC Rules. NOTE:

This equipment has been tested and found to comply with the limits for a Consumer ISM equipment, pursuant to Part 18 of the FCC Rules. These limits are designed to provide reasonable protection against harmful interference in a residential installation. This equipment generates, uses and can radiate radio frequency energy and, if not installed and used in accordance with the instructions, may cause harmful interference to radio communications. However, there is no guarantee that interference will not occur in a particular installation.

Please note that changes or modifications of this product is not expressly approved by the party responsible for compliance could void the user's authority to operate the equipment.

If this equipment does cause harmful interference to radio or television reception, which can be determined by turning the equipment off and on, the user is encouraged to try to correct the interference by one or more of the following measures:

- Reorient or relocate the receiving antenna.
- Increase the separation between the equipment and receiver.
- Connect the equipment into an outlet on a circuit different from that to which the receiver is connected.

Consult the dealer or an experienced radio/TV technician for help.

SHARP[®]

SHARP ELECTRONICS CORPORATION • 100 Paragon Drive • Montvale, New Jersey 07645 • USA

SHARP ELECTRONICS OF CANADA LTD • 335 Britannia Road East • Mississauga, Ontario • L4Z 1W9 • Canada