



SHARP®

MICROWAVE OVEN OPERATION MANUAL

Carousel®

MODELS

R-308N

R-307N

Followed by letter indicating color
W=White, P=Pewter, K=Black, S=Silver

CONTENTS

• For Customer Assistance	2
• Precautions to Avoid Possible Exposure to Excessive Microwave Energy	2
• Consumer Limited Warranty	3
• Product Information Card	3
• Important Safety Instructions	4
• Unpacking and Installation Instructions....	5
• Grounding Instructions	5
• Information You Need to Know	6-8
• Part Names	9-10
• Before Operating.....	11
• Manual Operation.....	11
• Special Features	12-16
• Other Convenient Features	17-18
• Cleaning and Care	18
• Service Call Check.....	19
• Cookbook Information.....	19
• Specifications.....	20
• Cookbook Order Form.....	20
• Auto-Touch Guide	21



READ ALL INSTRUCTIONS CAREFULLY
BEFORE USING THE OVEN.

Carousel® is a registered trademark of Sharp Corporation.

SHARP ELECTRONICS CORPORATION Sharp Plaza, Mahwah, NJ 07430-2135

Printed on recycled paper in Thailand

TINSEB160WRRZ-D71





FOR CUSTOMER ASSISTANCE

To aid in reporting this microwave oven in case of loss or theft, please record below the model number and serial number located on the unit. We also suggest you record all the information listed and retain for future reference.

MODEL NUMBER _____	SERIAL NUMBER _____
DATE OF PURCHASE _____	
DEALER _____	TELEPHONE _____
SERVICER _____	TELEPHONE _____

TO PHONE:

DIAL 1-800-BE-SHARP (237-4277) for:

SERVICE (for your nearest Sharp Authorized Servicer)
 PARTS (for your authorized parts distributor)
 ADDITIONAL CUSTOMER INFORMATION
 ACCESSORIES and COOKBOOK

TO WRITE:

Sharp Electronics Corporation
 Customer Assistance Center
 1300 Naperville Drive
 Romeoville, IL 60446-1091

TO ACCESS INTERNET: www.sharppusa.com

Please provide the following information when you write or call: model number, serial number, date of purchase, your complete mailing address (including zip code), your daytime telephone number (including area code) and description of the problem.

PRECAUTIONS TO AVOID POSSIBLE EXPOSURE TO EXCESSIVE MICROWAVE ENERGY

- (a) Do not attempt to operate this oven with the door open since open-door operation can result in harmful exposure to microwave energy. It is important not to defeat or tamper with the safety interlocks.
- (b) Do not place any object between the oven front face and the door or allow soil or cleaner residue to accumulate on sealing surfaces.
- (c) Do not operate the oven if it is damaged. It is particularly important that the oven door close properly and that there is no damage to the: (1) door (bent), (2) hinges and latches (broken or loosened), (3) door seals and sealing surfaces.
- (d) The oven should not be adjusted or repaired by anyone except properly qualified service personnel.



CONSUMER LIMITED WARRANTY

SHARP ELECTRONICS CORPORATION warrants to the first consumer purchaser that this Sharp brand product (the "Product"), when shipped in its original container, will be free from defective workmanship and materials, and agrees that it will, at its option, either repair the defect or replace the defective Product or part thereof with a new or remanufactured equivalent at no charge to the purchaser for parts or labor for the period(s) set forth below.

This warranty does not apply to any appearance items of the Product nor to the additional excluded item(s) set forth below nor to any Product the exterior of which has been damaged or defaced, which has been subjected to improper voltage or other misuse, abnormal service or handling, or which has been altered or modified in design or construction.

In order to enforce the rights under this limited warranty, the purchaser should follow the steps set forth below and provide proof of purchase to the servicer.

The limited warranty described herein is in addition to whatever implied warranties may be granted to purchasers by law. ALL IMPLIED WARRANTIES INCLUDING THE WARRANTIES OF MERCHANTABILITY AND FITNESS FOR USE ARE LIMITED TO THE PERIOD(S) FROM THE DATE OF PURCHASE SET FORTH BELOW. Some states do not allow limitations on how long an implied warranty lasts, so the above limitation may not apply to you.

Neither the sales personnel of the seller nor any other person is authorized to make any warranties other than those described herein, or to extend the duration of any warranties beyond the time period described herein on behalf of Sharp.

The warranties described herein shall be the sole and exclusive warranties granted by Sharp and shall be the sole and exclusive remedy available to the purchaser. Correction of defects, in the manner and for the period of time described herein, shall constitute complete fulfillment of all liabilities and responsibilities of Sharp to the purchaser with respect to the Product, and shall constitute full satisfaction of all claims, whether based on contract, negligence, strict liability or otherwise. In no event shall Sharp be liable, or in any way responsible, for any damages or defects in the Product which were caused by repairs or attempted repairs performed by anyone other than an authorized servicer. Nor shall Sharp be liable or in any way responsible for any incidental or consequential economic or property damage. Some states do not allow the exclusion of incidental or consequential damages, so the above exclusion may not apply to you.

THIS WARRANTY GIVES YOU SPECIFIC LEGAL RIGHTS. YOU MAY ALSO HAVE OTHER RIGHTS WHICH VARY FROM STATE TO STATE.

Your Product Model Number & Description:

R-307N, R-308N Home Use Carousel Microwave Oven.
(Be sure to have this information available when you need service for your Product.)

Warranty Period for this Product:

One (1) year parts and labor. The warranty period continues for an additional four (4) years, for a total of five (5) years, with respect to the magnetron tube in the Product for parts only; labor and service are not provided free of charge for this additional period.

Additional Item(s) Excluded from Warranty Coverage (if any):

Non-functional accessories, turntable and light bulb.

Where to Obtain Service:

From a Sharp Authorized Servicer located in the United States. To find the location of the nearest Sharp Authorized Servicer, call Sharp toll free at 1-800-BE-SHARP (1-800-237-4277).

What to do to Obtain Service:

Ship prepaid or carry in your Product to a Sharp Authorized Servicer. Be sure to have **Proof of Purchase** available. If you ship the Product, be sure it is insured and packaged securely.

TO OBTAIN SUPPLY, ACCESSORY OR PRODUCT INFORMATION, CALL 1-800-BE-SHARP OR VISIT www.sharppusa.com. SAVE THE PROOF OF PURCHASE AS IT IS NEEDED SHOULD YOUR OVEN EVER REQUIRE WARRANTY SERVICE.

PRODUCT INFORMATION CARD

The Product information card should be completed within ten days of purchase and returned. We will keep it on file and help you access the information in case of loss, damage or theft. This will also enable us to contact you in the unlikely event that any adjustments or modifications are ever required for your oven.





IMPORTANT SAFETY INSTRUCTIONS

When using electrical appliances basic safety precautions should be followed, including the following:

WARNING - To reduce the risk of burns, electric shock, fire, injury to persons or exposure to excessive microwave energy:

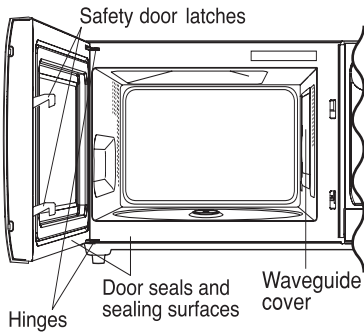
1. **READ ALL INSTRUCTIONS BEFORE USING THE APPLIANCE.**
2. Read and follow the specific “**PRECAUTIONS TO AVOID POSSIBLE EXPOSURE TO EXCESSIVE MICROWAVE ENERGY**” on inside front cover.
3. This appliance must be grounded. Connect only to properly grounded outlet. See “**GROUNDING INSTRUCTIONS**” on page 5.
4. Install or locate this appliance only in accordance with the provided installation instructions.
5. Some products such as whole eggs and sealed containers—for example, closed glass jars—are able to explode and should not be heated in this oven.
6. Use this appliance only for its intended use as described in this manual. Do not use corrosive chemicals or vapors in this appliance. This type of oven is specifically designed to heat, cook or dry food. It is not designed for industrial or laboratory use.
7. As with any appliance, close supervision is necessary when used by children.
8. Do not operate this appliance if it has a damaged cord or plug, if it is not working properly or if it has been damaged or dropped.
9. This appliance should be serviced only by qualified service personnel. Contact nearest Sharp Authorized Servicer for examination, repair or adjustment.
10. Do not cover or block any openings on the appliance.
11. Do not store or use this appliance outdoors. Do not use this product near water—for example, near a kitchen sink, in a wet basement, near a swimming pool, or similar locations.
12. Do not immerse cord or plug in water.
13. Keep cord away from heated surfaces.
14. Do not let cord hang over edge of table or counter.
15. See door surface cleaning instructions on page 18.
16. To reduce the risk of fire in the oven cavity:
 - a. Do not overcook food. Carefully attend to appliance when paper, plastic or other combustible materials are placed inside the oven to facilitate cooking.
 - b. Remove wire twist-ties from paper or plastic bags before placing bag in oven.
 - c. **If materials inside the oven ignite, keep oven door closed, turn oven off and disconnect the power cord or shut off power at the fuse or circuit breaker panel.**
 - d. Do not use the cavity for storage purposes. Do not leave paper products, cooking utensils or food in the cavity when not in use.
17. Liquids, such as water, coffee or tea are able to be overheated beyond the boiling point without appearing to be boiling. Visible bubbling or boiling when the container is removed from the microwave oven is not always present. **THIS COULD RESULT IN VERY HOT LIQUIDS SUDDENLY BOILING OVER WHEN A SPOON OR OTHER UTENSIL IS INSERTED INTO THE LIQUID.** To reduce the risk of injury to persons:
 - a. Do not overheat the liquid.
 - b. Stir the liquid both before and halfway through heating it.
 - c. Do not use straight-sided containers with narrow necks. Use a wide-mouthed container.
 - d. After heating, allow the container to stand in the microwave oven at least for 20 seconds before removing the container.
 - e. Use extreme care when inserting a spoon or other utensil into the container.
18. If the oven light fails, consult a SHARP AUTHORIZED SERVICER.

SAVE THESE INSTRUCTIONS

UNPACKING AND INSTALLATION INSTRUCTIONS

Unpacking and Examining Your Oven

1. Remove all packing materials from inside the oven cavity. **DO NOT REMOVE THE WAVEGUIDE COVER**, which is located on the right cavity wall. Read enclosures and **SAVE** the Operation Manual.



2. Remove the feature sticker, if there is one, from the outside of the door.

Check the oven for any damage, such as misaligned or bent door, damaged door seals and sealing surfaces, broken or loose door hinges and latches and dents inside the cavity or on the door.

If there is any damage, do not operate the oven and contact your dealer or SHARP AUTHORIZED SERVICER.

Choosing a Location for Your Oven

You will use the oven frequently so plan its location for ease of use. It's wise, if possible, to have counter space on at least one side of the oven. Allow at least 2 inches (50 mm) on the sides, top and at the rear of the oven for air circulation. Do not place or install the oven in any area where heat and steam are generated; for example, next to or above a conventional gas or electric range or above a conventional wall oven. Heat and steam may damage the electronics or the mechanical parts of the oven.

GROUNDING INSTRUCTIONS

This appliance must be grounded. This oven is equipped with a cord having a grounding wire with a grounding plug. It must be plugged into a wall receptacle that is properly installed and grounded in accordance with the National Electrical Code and local codes and ordinances. In the event of an electrical short circuit, grounding reduces risk of electric shock by providing an escape wire for the electric current.

WARNING – Improper use of the grounding plug can result in a risk of electric shock.

Electrical Requirements

The electrical requirements are a 120 volt 60 Hz, AC only, 15 amp. or more protected electrical supply. It is recommended that a separate circuit serving only this appliance be provided.

The oven is equipped with a 3-prong grounding plug. It must be plugged into a wall receptacle that is properly installed and grounded. Should you only have a 2-prong outlet, have a qualified electrician install a correct wall receptacle.

A 3-prong adapter may be purchased and used temporarily if local codes allow. Follow package directions.

A short power-supply cord is provided to reduce risk of becoming entangled in or tripping over a longer cord.

Extension Cord

If it is necessary to use an extension cord, use only a 3-wire extension cord that has a 3-blade grounding plug and a 3-slot receptacle that will accept the plug on the microwave oven. The marked rating of the extension cord should be AC 115-120 volt, 15 amp. or more.

Be careful not to drape the cord over the countertop or table where it can be pulled on by children or tripped over accidentally.

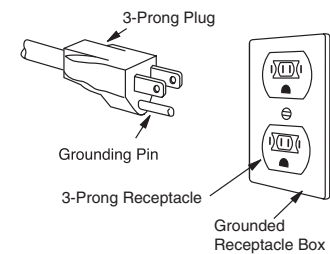
Notes:

1. If you have any questions about the grounding or electrical instructions, consult a qualified electrician or service person.
2. Neither Sharp nor the dealer can accept any liability for damage to the oven or personal injury resulting from failure to observe the correct electrical connection procedures.

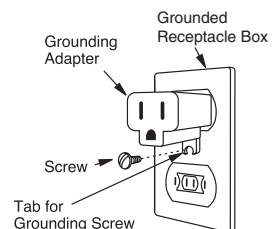
Radio or TV Interference

Should there be any interference caused by the microwave oven to your radio or TV, check that the microwave oven is on a different electrical circuit, relocate the radio or TV as far away from the oven as feasible or check position and signal of receiving antenna.

Permanent and Correct Installation



Temporary Use





INFORMATION YOU NEED TO KNOW

ABOUT YOUR OVEN

This Operation Manual is valuable: read it carefully and always save it for reference.

A good microwave cookbook is a valuable asset. Check it for microwave cooking principles, techniques, hints and recipes. See pages 19 and 20 for ordering the Sharp Carousel Microwave Cookbook.

NEVER use the oven without the turntable and support nor turn the turntable over so that a large dish could be placed in the oven. The turntable will turn both clockwise and counterclockwise.

ALWAYS have food in the oven when it is on to absorb the microwave energy.

When using the oven at power levels below 100%, you may hear the magnetron cycling on and off. It is normal for the exterior of the oven to be warm to the touch when cooking or reheating.

Condensation is a normal part of microwave cooking. Room humidity and the moisture in food will influence the amount of moisture that condenses in the oven. Generally, covered foods will not cause as much condensation as uncovered ones. Vents on the oven back must not be blocked.

The oven is for food preparation only. It should not be used to dry clothes or newspapers.

Your oven is rated 1100 watts by using the IEC Test Procedure. In using recipes or package directions, check food a minute or two before the minimum time and add time accordingly.

ABOUT FOOD

FOOD	DO	DON'T
Eggs, sausages, nuts, seeds, fruits & vegetables	<ul style="list-style-type: none"> Puncture egg yolks before cooking to prevent "explosion". Pierce skins of potatoes, apples, squash, hot dogs and sausages so that steam escapes. 	<ul style="list-style-type: none"> Cook eggs in shells. Reheat whole eggs. Dry nuts or seeds in shells.
Popcorn	<ul style="list-style-type: none"> Use specially bagged popcorn for the microwave oven. Listen while popping corn for the popping to slow to 1 or 2 seconds or use special POPCORN pad. 	<ul style="list-style-type: none"> Pop popcorn in regular brown bags or glass bowls. Exceed maximum time on popcorn package.
Baby food	<ul style="list-style-type: none"> Transfer baby food to small dish and heat carefully, stirring often. Check temperature before serving. Put nipples on bottles after heating and shake thoroughly. "Wrist" test before feeding. 	<ul style="list-style-type: none"> Heat disposable bottles. Heat bottles with nipples on. Heat baby food in original jars.
General	<ul style="list-style-type: none"> Cut baked goods with filling after heating to release steam and avoid burns. Stir liquids briskly before heating and allow to stand at least for 20 seconds after heating before stirring or drinking to avoid eruption. Use deep bowl, when cooking liquids or cereals, to prevent boilovers. 	<ul style="list-style-type: none"> Heat or cook in closed glass jars or air tight containers. Can in the microwave as harmful bacteria may not be destroyed. Deep fat fry. Dry wood, gourds, herbs or wet papers.



INFORMATION YOU NEED TO KNOW

ABOUT UTENSILS AND COVERINGS

It is not necessary to buy all new cookware. Many pieces already in your kitchen can be used successfully in your new microwave oven. Make sure the utensil does not touch the interior walls during cooking.

Use these utensils for safe microwave cooking and reheating:

- glass ceramic (Pyroceram®), such as Corningware®.
- heat-resistant glass (Pyrex®)
- microwave-safe plastics
- paper plates
- microwave-safe pottery, stoneware and porcelain
- browning dish (Do not exceed recommended preheating time. Follow manufacturer's directions.)

These items can be used for short time reheating of foods that have little fat or sugar in them:

- wood, straw, wicker

DO NOT USE

- metal pans and bakeware
- dishes with metallic trim
- non-heat-resistant glass
- non-microwave-safe plastics (margarine tubs)
- recycled paper products
- brown paper bags
- food storage bags
- metal twist-ties

Should you wish to check if a dish is safe for microwaving, place the empty dish in the oven and microwave on HIGH for 30 seconds. A dish which becomes very hot should not be used.

The following coverings are ideal:

- Paper towels are good for covering foods for reheating and absorbing fat while cooking bacon.
- Wax paper can be used for cooking and reheating.
- Plastic wrap that is specially marked for microwave use can be used for cooking and reheating. DO NOT allow plastic wrap to touch food. Vent so steam can escape.
- Lids that are microwave-safe are a good choice because heat is kept near the food to hasten cooking.
- Oven cooking bags are good for large meats or foods that need tenderizing. DO NOT use metal twist ties. Remember to slit bag so steam can escape.

How to use aluminum foil in your microwave oven:

- Small flat pieces of aluminum foil placed smoothly on the food can be used to shield areas that are either defrosting or cooking too quickly.
- Foil should not come closer than one inch to any surface of the oven.

Should you have questions about utensils or coverings, check a good microwave cookbook or follow recipe suggestions.

ACCESSORIES There are many microwave accessories available for purchase. Evaluate carefully before you purchase so that they meet your needs. A microwave-safe thermometer will assist you in determining correct doneness and assure you that foods have been cooked to safe temperatures. Sharp is not responsible for any damage to the oven when accessories are used.

ABOUT CHILDREN AND THE MICROWAVE

Children below the age of 7 should use the microwave oven with a supervising person very near to them. Between the ages of 7 and 12, the supervising person should be in the same room.

The child must be able to reach the oven comfortably; if not, he/she should stand on a sturdy stool.

At no time should anyone be allowed to lean or swing on the oven door.

Children should be taught all safety precautions: use potholders, remove coverings carefully, pay special attention to packages that crisp food because they may be extra hot.

Don't assume that because a child has mastered one cooking skill he/she can cook everything.

Children need to learn that the microwave oven is not a toy. See page 17 for Child Lock feature.



INFORMATION YOU NEED TO KNOW

ABOUT MICROWAVE COOKING

- Arrange food carefully. Place thickest areas towards outside of dish.
- Watch cooking time. Cook for the shortest amount of time indicated and add more as needed. Food severely overcooked can smoke or ignite.
- Cover foods while cooking. Check recipe or cookbook for suggestions: paper towels, wax paper, microwave plastic wrap or a lid. Covers prevent spattering and help foods to cook evenly.
- Shield with small flat pieces of aluminum foil any thin areas of meat or poultry to prevent overcooking before dense, thick areas are cooked thoroughly.
- Stir foods from outside to center of dish once or twice during cooking, if possible.
- Turn foods over once during microwaving to speed cooking of such foods as chicken and hamburgers. Large items like roasts must be turned over at least once.
- Rearrange foods such as meatballs halfway through cooking both from top to bottom and from the center of the dish to the outside.
- Add standing time. Remove food from oven and stir, if possible. Cover for standing time which allows the food to finish cooking without overcooking.
- Check for doneness. Look for signs indicating that cooking temperatures have been reached.

Doneness signs include:

- Food steams throughout, not just at edge.
- Center bottom of dish is very hot to the touch.
- Poultry thigh joints move easily.
- Meat and poultry show no pinkness.
- Fish is opaque and flakes easily with a fork.

ABOUT SAFETY

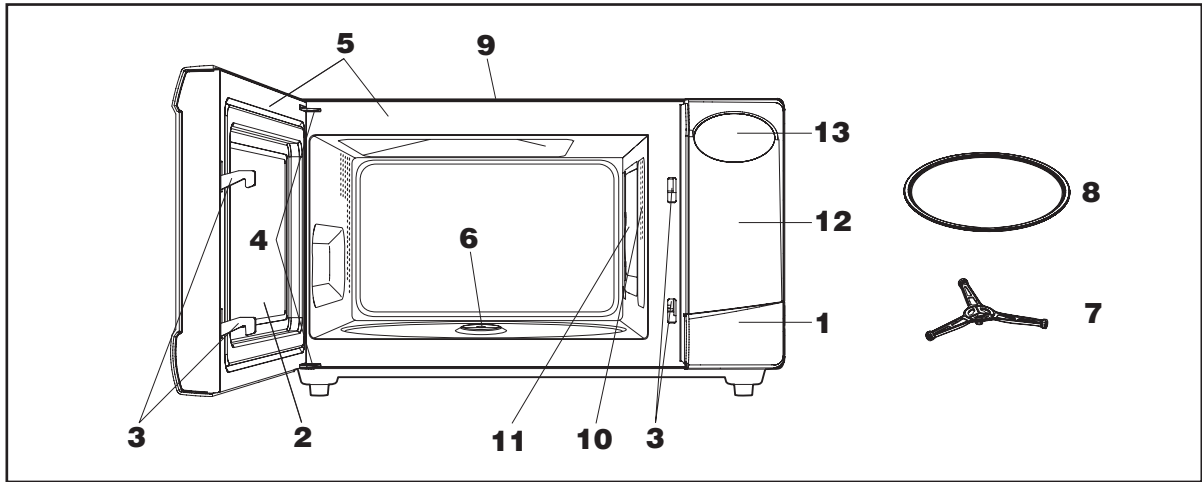
- Check foods to see that they are cooked to the United States Department of Agriculture's recommended temperatures.
- ALWAYS use potholders to prevent burns when handling utensils that are in contact with hot food. Enough heat from the food can transfer through utensils to cause skin burns.
- Avoid steam burns by directing steam away from the face and hands. Slowly lift the farthest edge of a dish's covering and carefully open popcorn and oven cooking bags away from the face.
- Stay near the oven while it's in use and check cooking progress frequently so that there is no chance of overcooking food.
- NEVER use the cavity for storing cookbooks or other items.
- Select, store and handle food carefully to preserve its high quality and minimize the spread of foodborne bacteria.
- Keep waveguide cover clean. Food residue can cause arcing and/or fires.
- Use care when removing items from the oven so that the utensil, your clothes or accessories do not touch the safety door latches.

TEMP	FOOD
145°F (63°C)	...for beef, lamb or veal cut into steaks chops or roasts MEDIUM RARE
160°F (71°C)	...for fresh pork, ground meat, fish, seafood, egg dishes, frozen prepared food and beef, lamb or veal cut into steaks, chops or roasts cooked to MEDIUM
165°F (74°C)	...for leftover, ready-to-reheat refrigerated, deli and carry out "fresh" food, whole chicken or turkey, chicken or turkey breasts and ground poultry used in chicken or turkey burgers, boneless white poultry. NOTE: Do not cook whole, stuffed poultry. Cook stuffing separately to 165°F (74°C).

To test for doneness, insert a meat thermometer in a thick or dense area away from fat or bone. NEVER leave the thermometer in the food during cooking, unless it is approved for microwave oven use.

PART NAMES

MICROWAVE OVEN PARTS



1 One touch door open button
Push to open door.

2 Oven door with see-through window

3 Safety door latches

The oven will not operate unless the door is securely closed.

4 Door hinges

5 Door seals and sealing surfaces

6 Turntable motor shaft

7 Removable turntable support

Carefully place the turntable support in the center of the oven floor.

8 Removable turntable

Place the turntable on the turntable support securely. The turntable will rotate clockwise or counterclockwise. Only remove for cleaning.

9 Ventilation openings (rear)

10 Oven light

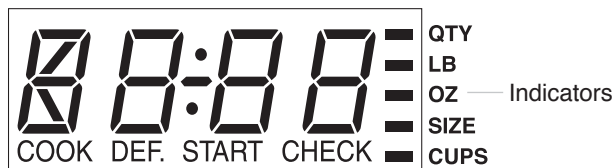
It will light when oven is operating or door is open.

11 Waveguide cover: DO NOT REMOVE.

12 Auto-Touch control panel

13 Time display: 99 minutes, 99 seconds

VISUAL DISPLAY

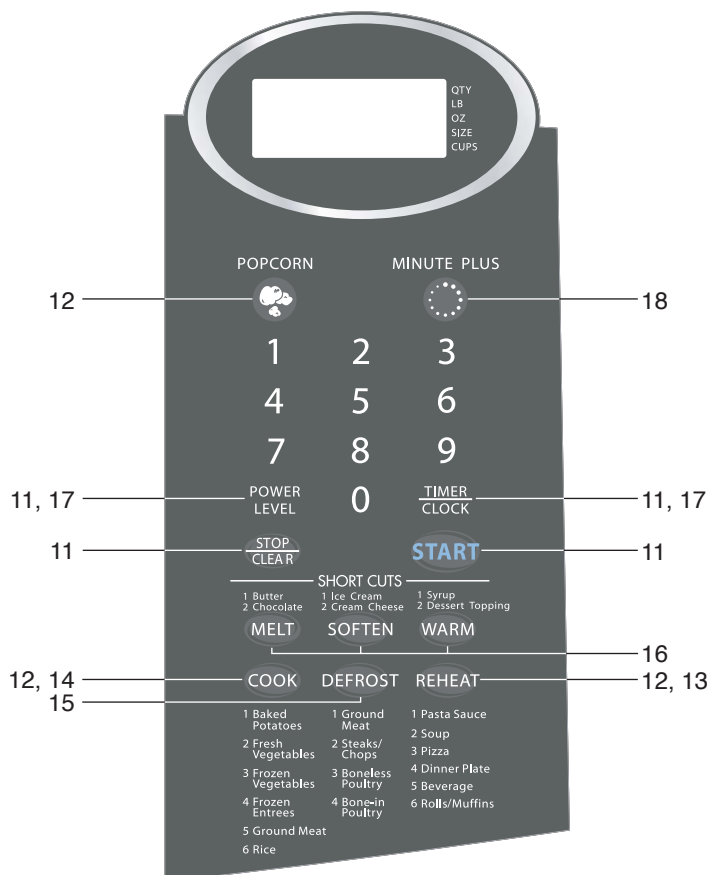


The light next to each indicator will come on to provide information about the setting. Words in the lower portion of the display will light to indicate what function is in progress.



PART NAMES

CONTROL PANEL



Number next to the control panel illustration indicates pages on which there are feature descriptions and usage information.

BEFORE OPERATING

- Before operating your new microwave oven make sure you read and understand this operation manual completely.
- Before the oven can be used, follow these procedures:
 1. Plug in the oven. The oven display will begin flashing "88:88"
 2. Touch the **STOP/CLEAR** pad.
: will appear.
 3. Set clock.

TO SET THE CLOCK

- Suppose you want to enter the correct time of day 12:30 (A.M. or P.M.).

PROCEDURE	
1 Touch CLOCK pad.	TIMER CLOCK
2 Enter the correct time of day by touching the numbers in sequence.	1 2 3 0
3 Touch CLOCK pad again.	TIMER CLOCK

This is a 12 hour clock. If you attempt to enter an incorrect clock time, "EE" will appear in the display. Touch the **CLEAR** pad and re-enter the time.

- If the electrical power supply to your microwave oven should be interrupted, the display will intermittently show "88:88" after the power is reinstated. If this occurs during cooking, the program will be erased. The time of day will also be erased. Simply touch **STOP/CLEAR** pad and reset the clock for the correct time of day.

STOP/CLEAR

Touch the **STOP/CLEAR** pad to:

1. Erase if you make a mistake during programming.
2. Cancel timer.
3. Return the time of day to the display.
4. Stop the oven temporarily during cooking, touch the **STOP/CLEAR** pad once.
5. Cancel a program during cooking, touch the **STOP/CLEAR** pad twice.

MANUAL OPERATION

TIME COOKING

Your oven can be programmed for 99 minutes 99 seconds (99.99). Always enter the seconds after the minutes, even if they are both zeros.

- Suppose you want to cook for 5 minutes at 100%.

PROCEDURE	
1 Enter cooking time.	5 0 0
2 Touch START pad.	START

TO SET POWER LEVEL

There are eleven preset power levels.

Using lower power levels increases the cooking time which is recommended for foods such as cheese, milk and long slow cooking of meats. Consult cookbook or recipes for specific recommendations.

TOUCH POWER LEVEL PAD	APPROXIMATE PERCENTAGE OF POWER	COMMON WORDS FOR POWER LEVELS
once	100%	High
twice	90%	
3 times	80%	
4 times	70%	Medium High
5 times	60%	
6 times	50%	Medium
7 times	40%	
8 times	30%	Med Low/Defrost
9 times	20%	
10 times	10%	Low
11 times	0%	

- Suppose you want to defrost for 5 minutes at 30%.

PROCEDURE	
1 Enter cooking time.	5 0 0
2 Touch POWER LEVEL pad 8 times or hold down until the desired power level appears.	POWER LEVEL X 8
3 Touch START pad.	START

SPECIAL FEATURES

POPCORN

The POPCORN setting automatically provides the correct cooking time for most brands of microwave popcorn. You may wish to try several and choose your favorite. Pop only one bag at a time. Unfold bag and place in oven according to directions.

- Suppose you want to pop a 3.5 oz (100 g) bag (regular) of popcorn.

PROCEDURE

- 1 Touch **POPCORN** once.
The oven starts automatically.
“1” will appear in the display.

POPCORN

- Touch **POPCORN** once for 3.5 oz (100 g) bag (Regular). “1” will appear in the display.
- Touch **POPCORN** twice within 2 seconds for 2.85 - 3.5 oz (80-100 g) bag (Light Regular). “2” will appear in the display.
- Touch **POPCORN** three times within 3 seconds for 1.2 - 1.6 oz (35-45 g) bag (Mini). “3” will appear in the display.
- Touch **POPCORN** pad three times within 3 seconds, then touch **POWER LEVEL** pad once within 2 seconds for 1.5 - 1.75 oz (45-50 g) bag (Snack). “PLUS” will appear in the display.

NOTE:

1. To use **POPCORN** pad, touch within 3 minutes after cooking, opening and closing the door or touching the **STOP/CLEAR** pad.
2. Popcorn can be programmed with More or Less Time Adjustment. See page 17.

REHEAT/COOK

REHEAT and COOK automatically compute the correct heating or cooking time and microwave power level for foods shown in the charts.

- Suppose you want to reheat 2 cups of soup.

PROCEDURE

- 1 Touch **REHEAT** once.

REHEAT

- 2 Select desired REHEAT setting. (Ex: touch number pad **2** to select soup.)

2

- 3 Repeat touching same number pad to select quantity. (Ex: touch **2** two more times for 2 cups or hold down until the desired quantity appears.)

2 X 2

- 4 Touch **START** pad.

START

NOTE:

1. To reheat or cook different foods or foods above or below the quantity allowed on the REHEAT CHART or COOK CHART, use manual operation.
2. Reheat and Cook can be programmed with More or Less Time Adjustment. See page 17.
3. The final cooking result will vary according to the food condition (e.g. initial temperature, shape, quality). Check food after heating. If additional time is needed, continue to heat or cook manually.

SPECIAL FEATURES

REHEAT CHART

FOOD	AMOUNT	PROCEDURE
1. Pasta Sauce	1 - 4 cups	Use this setting to heat prepared or homemade sauce. Place sauce in suitably-sized casserole and cover with lid or plastic wrap. At end, stir well and serve with cooked pasta.
2. Soup	1 - 4 cups	Place in bowl or casserole. Cover with lid or plastic wrap. At end, stir, re-cover and let stand 1 to 3 minutes.
3. Pizza	1 - 4 slices	Use this setting to reheat refrigerated leftover pizza. One slice is approximately 1/8th of a 12 inch (30 cm) pizza or 1/12th of a 16 inch (40 cm) pizza. Place on paper towel.
4. Dinner Plate	1 plate	Use this setting to reheat precooked foods from the refrigerator. Place meaty portions and bulky vegetables to outside of plate. Cut large items like baked potatoes in smaller pieces. Flatten foods such as mashed potatoes and other dense foods. Cover with wax paper or plastic wrap. ONE PLATE ONLY. After cooking, check that food is very hot throughout and that the bottom center of the plate is very hot. If not, continue heating using time and power level. Allow to stand, covered, 1 to 2 minutes.
	1 Regular	Touch REHEAT and then the number pad 4 twice for a regular amount of food: approximately 4 oz (110 g) sliced meat or poultry, 1/2 cup potato or rice and 1/2 cup of vegetables or equivalent. "REG" will appear in the display.
	1 Large	Touch REHEAT and then the number pad 4 three times for a larger amount of food on a dinner plate. "LG" will appear in the display.
	1 Small	Touch REHEAT and then the number pad 4 four times for a smaller amount of food on a dinner plate. "S" will appear in the display.
Casserole (Regular setting : 1.5 cups)	1-2 cups	Use this setting to reheat refrigerated canned or homemade pasta with sauce or other cooked casserole. For room temperature pasta or casserole, use Less option. For pasta without sauce double the quantity per setting. For example, measure 2 cups of cooked noodles and program for 1 cup. Cover with lid or plastic wrap. After cooking, stir and let stand, covered, 2 to 3 minutes.
	1.5 cups	Touch REHEAT and then the number pad 4 twice for 1.5 cups of casserole "REG" will appear in the display.
	2 cups	Touch REHEAT and then the number pad 4 three times for 2 cups of casserole "LG" will appear in the display.
	1 cup	Touch REHEAT and then the number pad 4 four times for 1 cup of casserole "S" will appear in the display.
5. Beverage	.5 - 2 cups	This setting is good for restoring cooled beverage to a better drinking temperature. Touch REHEAT and then the number pad 5 for a 0.5 cup increase per touch. Stir liquid briskly before heating and stir carefully at end of cycle to avoid "eruption".
6. Rolls/Muffins	1 - 6 pcs.	Use this setting to warm rolls, muffins, biscuits, bagels etc. Large items should be considered as 2 regular size. Cover each roll/muffin with paper towel. For refrigerated rolls or muffins, it may be necessary to double the entered amount to ensure the proper serving temperature. For example, enter quantity of 2 for 1 refrigerated muffin. For frozen rolls or muffins, use More Time Adjustment.

SPECIAL FEATURES

COOK CHART

FOOD	AMOUNT	PROCEDURE													
1. Baked Potatoes	1 - 4 med.	Pierce. Place on paper-towel-lined turntable. After cooking, remove from oven, wrap in aluminum foil and let stand 5 to 10 minutes.													
2. Fresh Vegetables	1 - 4 cups	For beans, carrots, corn and peas, add 1 tablespoon of water per cup. For broccoli, Brussels sprouts, cabbage and cauliflower, cook immediately after washing with no additional water. If you like tender crisp vegetables, double measured quantity per setting. After cooking, remove from oven, stir, cover and let stand 3 to 5 minutes before serving.													
3. Frozen Vegetables	1 - 4 cups	Add no water. Cover with lid or plastic wrap. After cooking, stir and let stand, covered, for 3 minutes.													
4. Frozen Entrees	6 - 17 oz (170 - 480 g)	Use this setting for frozen, convenience foods. It will give satisfactory results for most brands. You may wish to try several and choose your favorite. Remove package from outer wrapping and follow package directions for covering. After cooking, let stand, covered, for 1 to 3 minutes.													
	6 - 8 oz (170 - 230 g)	Touch COOK and number pad 4 twice for package weight of 6-8 oz (170 - 230 g). "6-8" will appear in the display.													
	9 - 11 oz (231 - 310 g)	Touch COOK and number pad 4 three for package weight of 9-11 oz (231 - 310 g). "9-11" will appear in the display.													
	12 - 14 oz (311 - 400 g)	Touch COOK and number pad 4 four times for package weight of 12-14 oz (311 - 400 g). "12-14" will appear in the display.													
	15 - 17 oz (401 - 480 g)	Touch COOK and number pad 4 five times for package weight of 15-17 oz (401 - 480 g). "15-17" will appear in the display.													
5. Ground Meat	.3 - 1.5 lb (.2 - .7 kg)	Use this setting to cook ground beef or poultry as patties or in a casserole to be added to other ingredients. Place patties on a microwave-safe rack and cover with wax paper. Place ground meat in a casserole and cover with wax paper or plastic wrap. You can cook 0.3 lb (.15 kg), 0.5 lb (.25 kg), 0.7 lb (.3 kg), 1.0 lb (.45 kg), 1.3 lb (.6 kg) and 1.5 lb (.7 kg) ground meat by touching number pad 5 . When oven stops, turn patties over or stir meat in casserole to break up large pieces. Re-cover and touch START pad. After cooking, let stand, covered, for 2 to 3 minutes.													
6. Rice	.5 - 2.0 cups	Place rice into a deep casserole and add double quantity of water. Cover with lid or plastic wrap. You can cook 0.5 cup, 1 cup, 1.5 cups and 2 cups rice by touching number pad 6 . After cooking, stir, cover and let stand 3 to 5 minutes or until all liquid has been absorbed.													
		<table border="1"> <thead> <tr> <th>Rice</th> <th>Water</th> <th>Size of casserole</th> </tr> </thead> <tbody> <tr> <td>.5 cup</td> <td>1 cup</td> <td>1.5 quart (1.5 l)</td> </tr> <tr> <td>1 cup</td> <td>2 cups</td> <td>2 quart (2 l)</td> </tr> <tr> <td>1.5 cups</td> <td>3 cups</td> <td>2.5 or 3 quart (2.5 or 3 l)</td> </tr> <tr> <td>2 cups</td> <td>4 cups</td> <td>3 quart (3 l) or larger</td> </tr> </tbody> </table>	Rice	Water	Size of casserole	.5 cup	1 cup	1.5 quart (1.5 l)	1 cup	2 cups	2 quart (2 l)	1.5 cups	3 cups	2.5 or 3 quart (2.5 or 3 l)	2 cups
Rice	Water	Size of casserole													
.5 cup	1 cup	1.5 quart (1.5 l)													
1 cup	2 cups	2 quart (2 l)													
1.5 cups	3 cups	2.5 or 3 quart (2.5 or 3 l)													
2 cups	4 cups	3 quart (3 l) or larger													

SPECIAL FEATURES

DEFROST

Defrost automatically defrosts all the foods shown in the DEFROST CHART below.

Round the weight to the nearest tenth of a pound.

- Suppose you want to defrost a 3.0 pound steak.

PROCEDURE	
1 Touch DEFROST once.	DEFROST
2 Select desired food by touching number pad. (Ex: touch number 2 for Steaks/Chops.)	2
3 Touch number pads for desired weight. (Ex: touch 3 0 for 3.0 lb.)	3 0
4 Touch START pad.	START
5 After the 1st stage, open the door, turn steak over and shield any warm portions. Close the door. Touch START pad.	START
6 After the 2nd stage, open the door and shield any warm portions. Close the door. Touch START pad.	START
7 After defrost cycle ends, cover and let stand as indicated in chart below.	

NOTE:

1. Defrost can be programmed with More or Less Time Adjustment. Touch the **POWER LEVEL** pad once or twice after selecting the amount. See page 17.
2. To defrost other foods or foods above or below the weights allowed on DEFROST CHART. Use time and 30% power. See MANUAL DEFROST below.
3. If you attempt to enter more or less than the allowed amount as indicated in chart below, "EE" will appear in the display.
4. Weight can be entered only by the pound.

MANUAL DEFROST

If the food that you wish to defrost is not listed on the DEFROST CHART or is above or below the limits in the "Amount" column on the DEFROST CHART, you need to defrost manually.

You can defrost any frozen food, either raw or previously cooked, by using 30% Power Level. See page 11. Estimate defrosting time and touch **POWER LEVEL** pad 8 times for 30% when you select the power level.

For either raw or previously cooked frozen food the rule of thumb is approximately 4 minutes per pound. For example, defrost 4 minutes for 1 pound/450 g of frozen spaghetti sauce.

Always stop the oven periodically to remove or separate the portions that are defrosted. If food is not defrosted at the end of the estimated defrosting time, program the oven in 1 minute increments at 30% until totally defrosted.

When using plastic containers from the freezer, defrost only long enough to remove from the plastic in order to place in a microwave-safe dish.

DEFROST CHART

FOOD	AMOUNT	PROCEDURE
1. Ground Meat	.5 - 2.0 lb (.3 - .9 kg)	Pull apart and remove any thawed pieces after each stage. Let stand, covered, for 5 to 10 minutes.
2. Steaks/Chops	.5 - 3.0 lb (.3 - 1.3 kg)	After each stage, rearrange and if there are warm or thawed portions, shield with small flat pieces of aluminum foil. Remove any meat that is nearly defrosted. Let stand, covered, for 10 to 20 minutes.
3. Boneless Poultry	.5 - 1.5 lb (.3 - .7 kg)	Use boneless breast of chicken or turkey. After each stage, if there are warm or thawed portions, rearrange or remove. Let stand, covered, for 10 to 20 minutes.
4. Bone-in Poultry	.5 - 3.0 lb (.3 - 1.3 kg)	Arrange pieces with meatiest portions toward outside of glass dish or microwave safe rack. After each stage, if there are warm or thawed portions, rearrange or remove. Let stand, covered, for 10 to 20 minutes.

NOTE: Check foods when oven signals. Do not over defrost. After final stage, small sections may still be icy. Let stand to continue thawing.

Shielding prevents cooking from occurring before the center of the food is defrosted. Use small smooth strips of aluminum foil to cover edges and thinner sections of the food.

SPECIAL FEATURES

SHORT CUTS

MELT, SOFTEN and WARM automatically compute the correct heating time and microwave power level for melting, softening and warming foods shown in the chart below.

- Suppose you want to melt 1 square of chocolate.

PROCEDURE	
1 Touch MELT once.	MELT
2 Select desired food by touching number pad. (Ex: Touch 2 for chocolate.)	2
3 Repeat touching same number pad to select quantity. (Ex: Touch 2 two more times for 1 square.)	2 x 2
4 Touch START pad.	START

NOTE:

1. To melt, soften or warm other food or foods except the quantity listed in the SHORT CUTS CHART, use manual operation.
2. Short Cuts can be programmed with More or Less Time Adjustment. See page 17.

SHORT CUTS CHART

FOOD	AMOUNT	PROCEDURE
MELT		
Use a Pyrex® measuring cup. Cover with plastic wrap.		
1. Butter	2 tbsp 1/2 cup	After touching MELT , touch 1 two times for 2 tbsp. "1" will appear in the display. After touching MELT , touch 1 three times for 1/2 cup. "2" will appear in the display.
2. Chocolate	1 cup chips 1 square	After touching MELT , touch 2 two times for 1 cup chips. "1" will appear in the display. After touching MELT , touch 2 three times for 1 square. "2" will appear in the display.
SOFTEN		
DO NOT COVER.		
1. Ice cream	1 pint (473 ml) 1/2 gallon (1.8l)	After touching SOFTEN , touch 1 two times for 1 pint. "1" will appear in the display. After touching SOFTEN , touch 1 three times for 1/2 gallon. "2" will appear in the display.
2. Cream cheese	3 oz. (85 g) 8 oz. (226 g)	After touching SOFTEN , touch 2 two times for 3 oz. "1" will appear in the display. After touching SOFTEN , touch 2 three times for 8 oz. "2" will appear in the display.
WARM		
Use a Pyrex® measuring cup. DO NOT COVER.		
1. Syrup	1/4 cup 1/2 cup	After touching WARM , touch 1 two times for 1/4 cup. "1" will appear in the display. After touching WARM , touch 1 three times for 1/2 cup. "2" will appear in the display.
2. Dessert toppings	1/4 cup 1/2 cup	After touching WARM , touch 2 two times for 1/4 cup. "1" will appear in the display. After touching WARM , touch 2 three times for 1/2 cup. "2" will appear in the display.

OTHER CONVENIENT FEATURES

DEMONSTRATION MODE

To demonstrate, touch **TIMER/CLOCK**, the number **0** pad, and touch **START** pad and hold for 3 seconds. "SHO" will appear in the display. Cooking operations and specific special features can now be demonstrated with no power in the oven. For example, touch **MINUTE PLUS** pad and the display will show "1.00" and count down quickly to "End".

To cancel, touch **TIMER/CLOCK**, then the number **0** and **STOP/CLEAR** pads. If easier, unplug the oven from the electrical outlet and replug.

MORE OR LESS TIME ADJUSTMENT

Should you discover that you like any of the Popcorn, Cook, Reheat, Short Cuts or Defrost settings slightly **more** done, touch the **POWER LEVEL** pad **once** after touching your choice of pads or before touching **START** pad.

The display will show "PLUS".

Should you discover that you like any of the Popcorn, Cook, Reheat, Short Cuts or Defrost settings slightly **less** done, touch the **POWER LEVEL** pad **twice** after touching your choice of pads or before touching **START** pad.

The display will show "LESS".

NOTE:

For **POPCORN**, the **POWER LEVEL** pad must be touched within 2 seconds of touching your choice of pads.

TIMER

- Suppose you want to set the timer for 3 minutes.

PROCEDURE	
1 Enter time.	3 0 0
2 Touch TIMER pad.	TIMER CLOCK

MULTIPLE SEQUENCE COOKING

Your oven can be programmed for up to 3 automatic cooking sequences, switching from one power level setting to another automatically.

Sometimes cooking directions tell you to start on one power level and then change to a different power level. Your oven can do this automatically.

- Suppose you want to cook for 5 minutes at 100% and then continue to cook for 30 minutes at 50%.

PROCEDURE	
1 First enter cooking time. Then touch POWER LEVEL pad once for 100% power.	5 0 0 POWER LEVEL x 1
2 Enter second cooking time. Then touch POWER LEVEL pad 6 times for 50% power.	3 0 0 0 POWER LEVEL x 6
3 Touch START pad.	START

NOTE:

- If **POWER LEVEL** pad is touched once, "P-HI" will be displayed.
- If 100% is selected as the final sequence, it is not necessary to touch the **POWER LEVEL** pad.
- If you wish to know power level, simply touch the **POWER LEVEL** pad. As long as your finger is touching the **POWER LEVEL** pad, the power level will be displayed.

CHILD LOCK

The Child Lock prevents unwanted oven operation such as by small children. The oven can be set so that the control panel is deactivated or locked. To set, touch **TIMER/CLOCK**, the number **1**, and then touch the **START** pad and hold for 3 seconds. Should a pad be touched, "SAFE" will appear in the display.

To cancel, touch **TIMER/CLOCK**, the number **1** and **STOP/CLEAR** pads.

The **Child Lock** is canceled when the electrical power supply to your oven is interrupted. Set the **Child Lock** again when power to the oven is restored.

AUDIBLE SIGNAL ELIMINATION

If you wish to have the oven operate with no audible signals, touch **TIMER/CLOCK**, the number **5** and then touch **START** pad and hold for 3 seconds.

To cancel and restore the audible signal, touch **TIMER/CLOCK**, the number **5**, and touch **STOP/CLEAR** pads.



OTHER CONVENIENT FEATURES

MINUTE PLUS

Minute Plus allows you to cook for a minute at 100% by simply touching the **MINUTE PLUS** pad. You can also extend cooking time in multiples of 1 minute by repeatedly touching the **MINUTE PLUS** pad during manual cooking.

- Suppose you want to heat a cup of soup for one minute at 100%.

PROCEDURE

- 1 Touch **MINUTE PLUS** pad.

MINUTE PLUS

NOTE:

1. To use Minute Plus, touch pad within 3 minutes after cooking, closing the door or touching the **STOP/CLEAR** pad.
2. Minute Plus cannot be used with Special Features.

CLEANING AND CARE

Disconnect the power cord before cleaning or leave the door open to inactivate the oven during cleaning.

Exterior

The outside surface is painted. Clean the outside with mild soap and water. Then wipe with a clean dampened cloth and polish dry with a soft cloth. Do not use any type of household or abrasive cleaner.

Door

Wipe the window on both sides with a damp cloth to remove any spills or splatters. Metal parts will be easier to maintain if wiped frequently with a soft damp cloth.

Avoid the use of spray and other harsh cleaners as they may stain, streak or dull the door surface.

When cleaning surfaces of door and oven that come together on closing the door, use only mild, non abrasive soaps, or detergents applied with a sponge or soft cloth.

Touch Control Panel

Wipe the panel with a soft cloth dampened slightly with water only. Dry with a soft cloth. Do not scrub or use any sort of chemical cleaners. Close door and touch **STOP/CLEAR**.

Interior

Cleaning is easy because little heat is generated to the interior surfaces; therefore, there is no baking and setting of spills or spattering. To clean the interior surfaces, wipe with a soft damp cloth. **DO NOT USE ABRASIVE OR HARSH CLEANERS OR SCOURING PADS.** For heavier soil, use baking soda or a mild soap; wipe clean with a soft damp cloth. **NEVER SPRAY OVEN CLEANERS DIRECTLY ONTO ANY PART OF THE OVEN.**

Waveguide Cover

The waveguide cover is made from mica so it requires special care. Keep the waveguide cover clean to assure good oven performance. Carefully wipe with a soft damp cloth any food splatters from the surface of the cover immediately after they occur. Built-up splashes may overheat and cause smoke or possibly catch fire. Do not remove the waveguide cover.

Odor Removal

Occasionally, a cooking odor may remain in the oven. To remove, combine 1 cup/250 ml water, grated peel and juice of 1 lemon and several whole cloves in a 2-cup/500 ml microwave-safe glass measuring cup. Boil for several minutes using 100% power. Allow to set in oven until cool. Wipe interior with a soft cloth.

Turntable/Turntable Support

The turntable and turntable support can be removed for easy cleaning. Wash them in mild, sudsy water; for stubborn stains use a mild cleanser and non abrasive scouring sponge. They are also dishwasher-safe. Use upper rack of dishwasher. The turntable motor shaft is not sealed, so excess water or spills should be wiped up immediately.

SERVICE CALL CHECK

Please check the following before calling for service:

Place one cup of water in a microwave-safe glass measuring cup in the oven and close the door securely. Operate the oven for one minute at HIGH 100%.

- A** Does the oven light come on? YES _____ NO _____
- B** Does the cooling fan work?
(Put your hand over the rear ventilating openings.) YES _____ NO _____
- C** Does the turntable rotate?
(It is normal for the turntable to turn in either direction.) YES _____ NO _____
- D** Is the water in the oven warm? YES _____ NO _____

If "NO" is the answer to any of the above questions, please check electrical outlet, fuse and/or circuit breaker. If they are functioning properly, CONTACT YOUR NEAREST SHARP AUTHORIZED SERVICER.

A microwave oven should never be serviced by a "do-it-yourself" repair person.

NOTE:

1. If time appearing in the display is counting down very rapidly, check Demonstration Mode on page 17 and cancel.
2. If the oven is set for more than 20 minutes at 80, 90 or 100 percent power level, after the first 20 minutes the power level will automatically adjust itself to 70 percent power to avoid overcooking.

COOKBOOK INFORMATION

125 GREAT RECIPES

- All about your microwave
- Color photos
- Step-by-step instructions
- Durable wipe-clean soft cover with 192 7" x 10" pages
- Helpful tips and special techniques

SHARP® MICROWAVE OVEN COOKBOOK

TO ORDER

Simply call this toll-free number: **1-800-237-4277**. Please have your credit card ready.

If you prefer to order by mail, complete and return the order form on page 20. Please include check or money order (payable to Sharp Electronics Corporation) for \$14.00 plus \$4.50 shipping & handling and tax, if applicable, per book.

SATISFACTION GUARANTEED

You must be completely satisfied with the Sharp Microwave Oven Cookbook. If, within 14 days, you are dissatisfied for any reason, simply return the book and we'll gladly refund your \$14.00 plus tax.

(SOLAMENTE ESCRITO EN INGLES!)

SPECIFICATIONS

	R-308N	R-307N
AC Line Voltage:	Single phase 120V, 60Hz, AC only	
AC Power Required:	1530W, 13 amps.	
Output Power: Microwave* (IEC Test Procedure)	1100 watts	
Frequency:	2450 MHz	
Outside Dimension:	20 1/2" (W) x 12 1/4" (H) x 17 1/4" (D) (520 mm x 310 mm x 437 mm)	20 1/2" (W) x 12 1/4" (H) x 17 3/8" (D) (520 mm x 310 mm x 441 mm)
Cavity Dimensions**:	14 3/4" (W) x 8 1/8" (H) x 15 1/4" (D) (375 mm x 206 mm x 387 mm)	
Oven Capacity**	1.0 Cu. Ft. / 30L	
Cooking Uniformity:	Turntable system, diameter 12 5/8" diameter / 320 mm diameter	
Weight	Approx. 32 lb / 14.5 kg	

* The International Electrotechnical Commission's standardized method for measuring output wattage. This test method is widely recognized.

** Internal capacity is calculated by measuring maximum width, depth and height. Actual capacity for holding food is less.

In compliance with standards set by:

FCC – Federal Communications Commission Authorized.

DHHS – Complies with Department of Health and Human Services (DHHS) rule, CFR, Title 21, Chapter I, Subchapter J.



– This symbol on the nameplate means the product is listed by Underwriters Laboratories, Inc.

----- Cut along this line. -----

COOKBOOK ORDER FORM

Please send me _____ cookbooks at \$18.50 each \$ _____

Illinois sales tax, (if applicable) per book \$.91 no. of books _____ \$ _____

TOTAL ORDER AMOUNT \$ _____

I have enclosed a check made payable to Sharp Electronics Corporation.

Please bill my VISA MASTERCARD AMERICAN EXPRESS

Acct. No. _____ Expiration date ____ / ____

Signature _____

(All credit card orders must be signed.)

Name _____

Address _____

City _____ State _____ Zip _____

Daytime Phone No. () _____

Mail to: Sharp Electronics Corporation
Attention: Customer Assistance Center
1300 NAPERVILLE DRIVE
Romeoville, IL 60446-1091

Price is subject to change without notice.

AUTO-TOUCH GUIDE

For more complete information and safety precautions, refer to your Operation Manual.

SET CLOCK

If **88:88** is in the display, first touch **STOP/CLEAR**.

1 Touch **CLOCK** pad.

TIMER
CLOCK

2 Enter correct time of the day by touching numbers in sequence.
(Ex: 12:30)

1 2 3 0

3 Touch **CLOCK** pad again.

TIMER
CLOCK

MANUAL OPERATION

High Power Cooking

1 3 0

1 Enter cooking time by touching number pads. (Ex: 1 min. 30 sec.)

START

2 Touch **START** pad.

Variable Power Cooking

POWER
LEVEL x 8

1 After Step 1 above, touch **POWER LEVEL** pad eight times for 30%.

START

2 Touch **START** pad.

MINUTE PLUS

Touch **MINUTE PLUS** for one minute at 100% power or to add a minute during manual cooking. Continue to touch for additional minutes.

MINUTE
PLUS

REHEAT/COOK/SHORT CUTS

1 Touch **REHEAT** pad.

REHEAT

2 Select desired Reheat setting.
(Ex: touch **2** to reheat soup.)

2

3 Touch number **2** twice for 2 cups.

2 x 2

4 Touch **START** pad.

START

REHEAT CHART

FOOD	AMOUNT
1. Pasta Sauce	1 - 4 cups
2. Soup	1 - 4 cups
3. Pizza	1 - 4 slices
4. Dinner Plate	1 plate: Regular, Large or Small
Casserole	1.5 cups, 2 cups or 1cup
5. Beverage	.5 - 2.0 cups
6. Rolls/Muffins	1 - 6 pieces

COOK CHART

FOOD	AMOUNT
1. Baked Potatoes	1 - 4 medium
2. Fresh Vegetables	1 - 4 cups
3. Frozen Vegetables	1 - 4 cups
4. Frozen Entrees	6 - 17 oz. (170 - 480 g)
5. Ground Meat	.3 - 1.5 lb (.2 - .7 kg)
6. Rice	.5 - 2.0 cups

SHORT CUTS CHART

FOOD	AMOUNT
MELT	
1. Butter	2 tbsp, 1/2 cup
2. Chocolate	1 cup chips, 1 square
SOFTEN	
1. Ice Cream	1 pint (473 ml), 1/2 gallon (1.8 l)
2. Cream Cheese	3 oz. (85 g), 8 oz. (226 g)
WARM	
1. Syrup	1/4 cup, 1/2 cup
2. Dessert Topping	1/4 cup, 1/2 cup

POPCORN

Touch **POPCORN** pad once for regular size (3.5 oz/100 g).
Twice - light regular size (2.85 - 3.5 oz/80 - 100 g).
3 times - mini size (1.2 - 1.6 oz/35 - 45 g).
3 times/(with MORE setting)- snack size (1.5-1.75 oz/45 - 50 g).

POPCORN

DEFROST

1 Touch **DEFROST** pad.

DEFROST

2 Select desired Defrost setting.
(Ex: touch **2** to defrost steak.)

2

3 Touch number **3** and **0** for 3.0 lb.

3 0

4 Touch **START** pad.

START

DEFROST CHART

FOOD	AMOUNT
1. Ground Meat	.5 - 2.0 lb (.3 - .9 kg)
2. Steaks/Chops	.5 - 3.0 lb (.3 - 1.3 kg)
3. Boneless Poultry	.5 - 1.5 lb (.3 - .7 kg)
4. Bone-in Poultry	.5 - 3.0 lb (.3 - 1.3 kg)



**MANUAL DE OPERACIÓN
HORNO DE MICROONDAS**

SHARP®

**Carousel®
MODELOS**

**R-308N
R-307N**

Las letras siguientes indican el color del producto
W=Blanco, P=Peltre, K=Negro, S= Plata

CONTENIDO

• Ayuda al consumidor	2
• Precauciones para evitar la posible exposición a energía excesiva de microondas	2
• Garantía limitada al consumidor	3
• Tarjeta de información del producto	3
• Instrucciones importantes de seguridad	4
• Instrucciones de desempaque e instalación	5
• Instrucciones de conexión a tierra.....	5
• Información que necesita conocer.....	6-8
• Nombre de las partes	9-10
• Antes de operar.....	11
• Operación manual.....	11
• Funciones especiales.....	12-16
• Otras prácticas funciones.....	17-18
• Limpieza y cuidado.....	18
• Llamada para servicio	19
• Información del libro de cocina.....	19
• Especificaciones.....	20
• Formulario de pedido del libro de cocina..	20
• Guía Auto-Touch	21



LEA CUIDADOSAMENTE TODAS LAS INSTRUCCIONES ANTES DE USAR ESTE HORNO.

Carousel® es una marca registrada de Sharp Corporation.

SHARP ELECTRONICS CORPORATION Sharp Plaza, Mahwah, NJ 07430-2135

Impreso en papel reciclado en Tailandia

TINSEB160WRRZ-D71





AYUDA AL CONSUMIDOR

Para ayudar a reportar este horno de microondas en caso de pérdida o robo, por favor escriba el número de modelo y el número de serie localizados en la unidad. También le sugerimos escribir toda la información de abajo y guardarla para referencias futuras.

NÚMERO DE MODELO _____	NÚMERO DE SERIE _____
FECHA DE COMPRA _____	
VENDEDOR _____	TELÉFONO _____
SERVICIO _____	TELÉFONO _____

Llame a:

Marque **1-800-BE-SHARP (237-4277)** para:

- Servicio (para el Centro de Servicio Sharp Autorizado más cercano)
- Repuestos (para el distribuidor autorizado de repuestos)
- Información adicional al consumidor
- Accesorios y Libro de cocina

Escriba a:

Sharp Electronics Corporation
 Customer Assistance Center
 1300 Naperville Drive
 Romeoville, IL 60446-1091

Para acceso a Internet: www.sharppusa.com

Le agradeceremos incluir la siguiente información cuando llame o escriba: número de modelo, número de serie, fecha de compra, dirección completa (incluyendo código postal), teléfono donde se le pueda localizar durante el día (incluyendo el código de área) y descripción del problema.

PRECAUCIONES PARA EVITAR LA POSIBLE EXPOSICIÓN A ENERGÍA EXCESIVA DE

- (a) No intente operar este equipo con la puerta abierta ya que hacerlo puede resultar en exposición dañina a energía de microondas. Es importante no anular o alterar los seguros.
- (b) No coloque ningún objeto entre la parte frontal del horno y la puerta, ni permita que se acumulen residuos de mugre o limpiadores en las superficies selladas.
- (c) No opere el horno si está dañado. Es particularmente importante que la puerta del horno cierre apropiadamente y que no existan daños en: (1) la puerta, (2) bisagras y el pestillo (rotos o perdidos), (3) sellos de las puertas y superficies selladas.
- (d) El horno no debe ser ajustado o reparado por ninguna persona que no sea del personal de servicio calificado.





GARANTÍA LIMITADA AL CONSUMIDOR

SHARP ELECTRONICS CORPORATION garantiza al primer consumidor final, que este producto marca SHARP (el "Producto"), estará libre de defectos de mano de obra y materiales - cuando haya sido despachado en su empaque original, y accede a reparar o reemplazar el Producto o componente defectuoso, con uno nuevo o un equivalente remanufacturado, sin cargo de los componentes o de mano de obra al consumidor final por el periodo que se indica a continuación.

Esta Garantía no se aplica a componentes estéticos ni a los componentes adicionales excluidos que se indican posteriormente ni para ningún Producto que haya sido dañado por voltaje incorrecto u otro uso inapropiado, condiciones de servicio y de despacho anormales o que haya sido alterado o modificado en su diseño o construcción.

Para hacer valida la garantía, el consumidor deberá seguir los pasos indicados a continuación y proveer de prueba de compra al centro de servicio.

La Garantía limitada aquí descrita es adicional a las garantías implícitas que por ley le son concedidas al consumidor final. **TODAS LAS GARANTÍAS IMPLÍCITAS, INCLUYENDO LAS GARANTÍAS DE COMERCIABILIDAD E IDONEIDAD PARA UN FIN DETERMINADO, ESTÁN LIMITADAS A PERÍODOS A PARTIR DE LA FECHA DE COMPRA INDICADA MÁS ADELANTE.** Algunos estados no permiten limitaciones en los periodos de garantía, por lo que la limitante arriba descrita puede no aplicarse para usted.

Ni el personal de ventas de la compañía vendedora ni ninguna otra persona están autorizados para ofrecer otras garantías aparte de las aquí descritas, o para extender el período descrito a nombre de Sharp.

Las garantías aquí descritas son la únicas y exclusivas garantías otorgadas por Sharp y son el único y exclusivo remedio disponible para el comprador.

La corrección de defectos, en el tiempo y forma aquí descritos, constituirá el completo cumplimiento de todas las responsabilidades legales de Sharp hacia el comprador con respecto al Producto, y deberá constituir la total satisfacción de todos los reclamos, ya sean basados en un contrato, negligencia, responsabilidad legal u otros. En ninguna circunstancia Sharp será responsable por daños o defectos en el Producto, causados por reparaciones o intentos de reparaciones realizadas por personal que no pertenezca a un centro de servicio autorizado de Sharp. En ninguna circunstancia Sharp será responsable por daños incidentales o consecuentes, económicos o a la propiedad. Algunos estados no permiten la exclusión de daños incidentales o consecuentes, así que exclusión mencionada puede no aplicarse a usted.

ESTA GARANTÍA LE OTORGA DERECHOS LEGALES ESPECÍFICOS. USTED PUEDE TENER OTROS DERECHOS, QUE VARIAN DE ESTADO A ESTADO.

Número de modelo de su producto y descripción:

R-307N, R-308N Horno microondas Carousel de uso doméstico (asegúrese de tener ésta información a la mano cuando necesite servicio de su producto)

Período de garantía para este producto:

Un (1) año en componentes y mano de obra. El período de garantía continua por cuatro (4) años adicionales, para un total de cinco (5) años, con respecto al tubo magnetron, sólo en los componentes del Producto; la mano de obra y el servicio se cargan en este período adicional.

Elementos adicionales excluidos de la cobertura de garantía (si es aplicable):

Accesorios no funcionales, tornamesa y bombilla.

Donde obtener Servicio:

De un proveedor de servicio autorizado localizado dentro de los Estados Unidos. Para localizar al proveedor de servicio autorizado más cercano, llame gratuitamente al 1-800-BE-SHARP (1-800-237-4277).

Qué hacer para obtener servicio:

Despache su producto con flete prepago, o llévelo a un proveedor de servicio autorizado. Asegúrese de tener a mano su **prueba de compra**. Si envía el producto, asegúrese de que esté empacado adecuadamente.

PARA OBTENER REPUESTOS ACCESORIOS O INFORMACIÓN DE LOS PRODUCTOS, LLAME AL **1-800-BE-SHARP** O VISITE **www.sharpusa.com**
 CONSERVE LA PRUEBA DE COMPRA, YA QUE ES NECESARIA SI SU PRODUCTO REQUIERE SERVICIO DE GARANTÍA.

TARJETA DE INFORMACIÓN DEL PRODUCTO

Llene la tarjeta de información del producto y envíela dentro de un período de diez días posteriores a la compra. Nosotros la archivaremos y le ayudaremos para acceder a esta información, en caso de pérdida, daño o robo. Esto también nos permitirá contactarle en el caso poco probable de que su producto necesite ajustes o modificaciones.



INSTRUCCIONES IMPORTANTES DE SEGURIDAD

Cuando use artículos eléctricos, se deberán seguir instrucciones básicas de seguridad, incluyendo las siguientes:

ADVERTENCIA – Para reducir el riesgo de quemaduras, choques eléctricos, daños personales o exposición a energía excesiva de microondas:

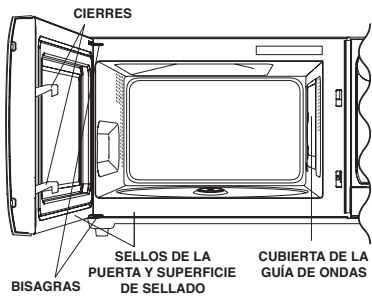
1. **LEA TODAS LAS INSTRUCCIONES ANTES DE USAR EL APARATO.**
2. Lea y siga las **“PRECAUCIONES PARA EVITAR LA POSIBLE EXPOSICIÓN A ENERGÍA EXCESIVA DE MICROONDAS”**, en el interior de la portada.
3. Este aparato debe ser conectado “a tierra”. Conéctelo sólo a un tomacorriente puesto a tierra apropiadamente. Vea **“INSTRUCCIONES DE CONEXIÓN A TIERRA”** en la página 5.
4. Instale o ubique este aparato sólo de acuerdo con las instrucciones de instalación incluidas.
5. Algunos productos como huevos enteros y recipientes sellados—por ejemplo, potes de vidrio cerrados—podrían explotar y no deberán ser calentados en este horno.
6. Use este aparato sólo para lo que se describe en este manual. No use químicos corrosivos ni vapores en este horno. Este tipo de horno está diseñado para calentar, cocinar o secar alimentos. No está diseñado para usos industriales o de laboratorio.
7. Como con cualquier aparato, se necesitará supervisión de un adulto cuando sea usado por niños.
8. No opere este aparato si tiene el cable o el enchufe dañados, si no está funcionando apropiadamente o si se ha caído o dañado.
9. Solo personal de servicio calificado debe dar mantenimiento a este aparato. Contacte a su centro de servicio autorizado Sharp para revisiones, reparaciones o ajustes.
10. No cubra ni bloquee ninguna abertura en el aparato.
11. No almacene o use este aparato en el exterior. No use este producto cerca del agua—por ejemplo, cerca del fregadero de la cocina, en un sótano húmedo o cerca de una piscina.
12. No sumerja el cable o el enchufe dentro del agua.
13. Mantenga el cordón alejado de las superficies calientes.
14. No deje que el cordón cuelgue de la mesa o del mostrador.
15. Vea las instrucciones para la limpieza de la superficie de la puerta en la página 18.
16. Para reducir el riesgo de incendio en la cavidad del horno:
 - a. No sobre caliente el alimento. Maneje cuidadosamente el aparato si ha colocado papel, plástico u otro material combustible dentro del horno para facilitar la cocción.
 - b. Retire los alambres para cerrar las bolsas de papel o plástico antes de colocar las bolsas en el horno.
 - c. **Si los materiales dentro del horno se incendian, mantenga la puerta cerrada, apague el horno y desconecte el cable de alimentación o corte la potencia desde el fusible o desde el tablero de interruptores automáticos.**
 - d. No use la cavidad con propósitos de almacenamiento. No deje en su interior productos de papel, utensilios de cocina o alimentos cuando el horno no esté en uso.
17. Los líquidos como agua, café o té pueden ser “calentados más allá del punto de ebullición sin que sea evidente. No siempre habrá ebullición o burbujeo visibles al retirar el recipiente del horno. **ESTO PUEDE RESULTAR EN LÍQUIDOS MUY CALIENTES QUE EBULLICIONEN ESPONTÁNEAMENTE CUANDO UNA CUCHARA U OTRO UTENSILIO ES INTRODUCIDO EN EL LÍQUIDO.**
Para reducir el riesgo de lesiones personales:
 - a. No sobrecaliente el líquido.
 - b. Remueva el líquido antes y a la mitad del calentamiento.
 - c. No utilice recipientes con paredes planas y cuellos estrechos. Use un recipiente con boca ancha.
 - d. Después de calentar, deje el recipiente dentro del microondas por 20 segundos por lo menos, antes de retirarlo.
 - e. Introduzca una cuchara u otro utensilio dentro del recipiente con mucho cuidado.
18. Si la luz del horno falla, consulte a un CENTRO DE SERVICIO SHARP.

GUARDE ESTAS INSTRUCCIONES

INSTRUCCIONES DE DESEMPAQUE E INSTALACIÓN

Desempaque y examine su horno

1. Retire todos los empaques dentro de la cavidad del horno. **NO RETIRE LA CUBIERTA DE LA GUÍA DE ONDAS**, que se encuentra en la pared derecha de la cavidad. Lea todo el material incluido y **GUARDE**



el Manual de Operación.

2. Remueva la calcomanía de características, si hay alguna, del exterior de la puerta. Verifique si hay daños en el horno como puerta dañada o desalineada, sellos de la puerta

y superficies de sellado dañados, bisagras rotas o flojas, seguros dañados dentro de la cavidad o en la puerta. Si existe algún daño, no opere el horno y contacte a su distribuidor o CENTRO DE SERVICIO AUTORIZADO SHARP.

Para escoger un lugar para su horno

Usted usará su horno frecuentemente, así que planee su ubicación para un fácil uso. Es bueno, de ser posible, tener un espacio vacío en al menos un lado del horno. Permita que haya al menos 2 pulgadas (50 mm) a los lados, en la parte superior y en la parte posterior para la circulación del aire. No coloque o instale el horno en ninguna área donde se genere calor y vapor por ejemplo, al lado o arriba de un horno convencional de gas o eléctrico.

El calor y el vapor podrían dañar las partes electrónicas o mecánicas del horno.

INSTRUCCIONES DE CONEXIÓN A TIERRA

Este aparato debe ser conectado a tierra. Este horno está equipado con un cable que incluye un alambre para conexión a tierra y un enchufe con toma de tierra. Debe ser conectado a un tomacorriente correctamente instalado de acuerdo con el Código Eléctrico y con los códigos locales. En caso de un corto circuito, la conexión a tierra reduce el riesgo de choque eléctrico al proporcionar un alambre de escape para la corriente eléctrica.

ADVERTENCIA – El uso inadecuado del enchufe con conexión a tierra puede resultar en riesgo de choque eléctrico.

Requisitos eléctricos

Se necesita un suministro eléctrico de 120 voltios 60 Hz, sólo CA (corriente alterna), 15 amperios o más. Se recomienda conectar este aparato "en un circuito separado".

El horno está equipado con un enchufe de 3 clavijas que debe conectarse a un tomacorriente correctamente instalado y puesto a tierra. Si su tomacorriente es solo para 2 clavijas, haga que un electricista calificado instale un tomacorriente correcto.

Un adaptador eliminador de tierra podría usarse temporalmente si los códigos locales lo permiten. Siga las direcciones del empaque.

Se proporciona un cable corto de alimentación de energía para reducir el riesgo de enredarse o tropezar con un cable más largo.

Cable de extensión

Si es necesario usar una extensión, use sólo un cable de extensión de 3 conductores con un enchufe de 3 clavijas con conexión a tierra y un tomacorriente para 3 clavijas. El cable de extensión debe ser para 115-120 voltios de CA y 15 amperios o más de capacidad.

Tenga cuidado de no enredar el cable sobre la mesa para evitar que los niños tropiecen o tiren de él accidentalmente.

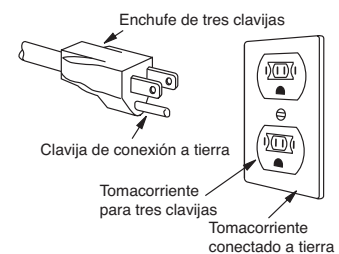
Notas:

1. Si tiene alguna pregunta acerca de la conexión a tierra o de las instrucciones eléctricas, consulte a un electricista calificado o a una persona de servicio.
2. Ni Sharp o el distribuidor pueden aceptar ninguna responsabilidad por daños al horno o daños personales producidos por no observar los procedimientos de conexión eléctrica correcta.

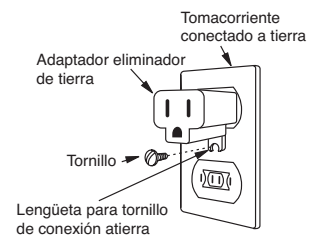
Interferencia con la radio o TV

Si hubiera alguna interferencia causada por el horno de microondas a su radio o TV, verifique que el horno esté en un circuito diferente, reubique el radio o TV tan lejos como sea posible del horno o verifique la posición y señal de la antena receptora.

Instalación permanente y correcta



Uso temporal



INFORMACIÓN QUE NECESITA CONOCER

ACERCA DE SU HORNO

Este manual de operación es valioso: léalo cuidadosamente y siempre guárdelo para referencias posteriores.

Un buen recetario de microondas es un artículo valioso. En él encontrará fundamentos, técnicas, sugerencias y recetas de la cocción con microondas. Consulte las páginas 19 y 20 para pedir el libro de cocina de microondas Sharp Carousel.

NUNCA use el horno sin el soporte giratorio, ni voltee el soporte giratorio de manera que un plato más grande pueda colocarse en el horno. El soporte giratorio girará en ambos sentidos.

SIEMPRE tenga alimento en el horno cuando esté encendido para absorber la energía de microondas.

Cuando use el horno en niveles de potencia menores que 100%, podría escuchar al magnetrón encendiéndose y apagándose. Es normal que el exterior del horno esté tibio durante la cocción o el recalentamiento.

La condensación es una parte normal de cocinar en microondas. La humedad de la habitación y del alimento influirá en la cantidad de humedad que condensa el horno. Generalmente, los alimentos cubiertos no causarán tanta condensación como los que no están cubiertos. Los orificios de ventilación de la parte posterior del horno no deben ser bloqueados.

El horno es sólo para preparación de alimentos. No deberá usarse para secar ropa o periódicos.

Su horno tiene una potencia nominal de 1100 vatios usando el procedimiento de prueba IEC. Cuando use instrucciones de recetas o empaques verifique el alimento un minuto o dos antes del tiempo mínimo y agregue el tiempo que sea necesario.

ACERCA DE LOS ALIMENTOS

ALIMENTO	SÍ	NO
Huevos, salchichas, frutos secos, semillas, frutas y vegetales	<ul style="list-style-type: none"> Pinche la yema del huevo antes de cocinar para evitar explosiones. Rasgue la piel de las papas, manzanas, calabazas, hot dogs y salchichas de manera que el vapor pueda escapar. 	<ul style="list-style-type: none"> Cocine huevos con cáscara. Recaliente huevos enteros. Seque frutos o semillas con cáscara.
Palomitas de maíz	<ul style="list-style-type: none"> Use palomitas en bolsas especiales para microondas. Escuche cuando dejen de tronar las palomitas o use el botón especial POPCORN. 	<ul style="list-style-type: none"> Exceda el tiempo máximo en el paquete de palomitas. Prepare palomitas en bolsas normales ni en recipientes de vidrio.
Comida para bebé	<ul style="list-style-type: none"> Cambie el alimento para bebé a un pequeño recipiente y caliente cuidadosamente, moviendo con frecuencia. Verifique la temperatura antes de servir. Ponga los chupones en los biberones después de calentar y agitar. Haga la prueba de "la muñeca" antes de alimentar al bebé. 	<ul style="list-style-type: none"> Caliente biberones desechables. Caliente biberones con los chupones puestos. Caliente la comida para bebé en su envase original.
General	<ul style="list-style-type: none"> Corte los alimentos después de calentar para liberar el vapor y evitar quemaduras. Mezcle los líquidos enérgicamente antes de calentarlos y espere al menos 20 segundos antes de revolverlos o beberlos para evitar la erupción. Use un recipiente hondo, cuando cocine líquidos o cereales, para prevenir derrames. 	<ul style="list-style-type: none"> Caliente o cocine en envases de vidrio cerrados ni en recipientes herméticos. Cocine alimentos para preservarlos usando el horno porque algunas bacterias perjudiciales podrían no ser destruidas. Fría demasiada grasa. Seque madera, calabazas, hierbas o papel húmedo.



INFORMACIÓN QUE NECESITA CONOCER

ACERCA DE LOS UTENSILIOS Y CUBIERTAS

No es necesario comprar una vajilla nueva. Muchas piezas que ya tiene en su cocina pueden usarse en su nuevo horno de microondas. Asegúrese de que los utensilios no toquen las paredes internas durante la cocción.

Use estos utensilios para cocinar y recalentar de forma segura en microondas:

- Vidrio cerámico (Pyroceram®), como Corningware®.
- Vidrio resistente al calor (Pyrex®).
- Plásticos para microondas.
- Platos de papel.
- Vajillas para microondas, cerámica de gres y porcelana.
- Plato dorador (no exceda el tiempo de pre-calentado recomendado). Siga las instrucciones del fabricante.

Estos artículos pueden ser usados por un tiempo corto para recalentar alimentos que contengan poca grasa o azúcar:

- Madera, paja, mimbre.

NO USE

- Sartenes de metal ni moldes para hornear.
- Platos con bordes de metal.
- Vidrio no resistente al calor.
- Plásticos no adecuados para microondas.
- Productos de papel reciclado.
- Bolsas de papel.
- Bolsas para almacenar alimentos.
- Alambres de metal

Si desea verificar si un plato es seguro para el microondas, colóquelo vacío en el horno y encienda el microondas en HIGH durante 30 segundos. Si el plato se pone muy caliente no lo use.

Las siguientes cubiertas son ideales:

- Las toallas de papel son buenas para cubrir alimentos para recalentar y absorber la grasa mientras cocina tocino.
- Papel encerado puede usarse para cocinar y recalentar.
- Plástico que esté marcado especialmente para microondas puede usarse para cocinar y recalentar. NO permita que el plástico toque los alimentos. Ventile de manera que el vapor pueda salir.
- Tapas para microondas son una buena opción porque el calor se mantiene cerca del alimento para mejorar la cocción.
- Bolsas para cocinar en horno son buenas para carnes grandes o alimentos que necesiten suavizarse. NO USE alambres de metal. Recuerde realizar un corte a la bolsa para que el vapor pueda escapar.

Cómo usar el papel aluminio en su horno de microondas:

- Puede colocar pequeñas piezas de papel aluminio sobre el alimento para cubrir áreas que se estén descongelando o cocinando muy rápidamente.
- El aluminio no podrá estar a menos de 1 pulgada de ninguna de las superficies del horno.

Si tiene preguntas acerca de los utensilios o las cubiertas, consulte un libro de cocina en microondas o siga las sugerencias de la receta.

ACCESORIOS Existen muchos accesorios para microondas disponibles. Evalúe cuidadosamente antes de comprar para satisfacer sus necesidades. Un termómetro a microondas le puede ayudar a determinar el grado de cocción a temperaturas seguras. Sharp no se hace responsable por daños al horno cuando se use algún accesorio.

ACERCA DE LOS NIÑOS Y EL MICROONDAS

Los niños menores que 7 años deberán usar el microondas con la supervisión muy cercana de una persona adulta. Niños entre 7 y 12, necesitarán una persona que los supervise dentro de la misma habitación.

El niño deberá poder alcanzar el horno de manera cómoda; si no, podría pararse sobre un banco.

Nunca debe permitírsele a nadie que se recargue o balancee en la puerta. Los niños deben ser

informados acerca de las precauciones de seguridad: usar agarraderas para ollas, retirar las cubiertas cuidadosamente, poner especial atención a los empaques de alimentos crujientes que podrían estar muy calientes.

No asuma que porque un niño ya ha podido cocinar algo podrá cocinarlo todo.

Los niños necesitan aprender que el microondas no es un juguete. Vea la sección "Bloqueo para niños".





INFORMACIÓN QUE NECESITA CONOCER

ACERCA DE LA COCCIÓN EN MICROONDAS

- Acomode el alimento con cuidado. Coloque las áreas más gruesas hacia fuera del plato.
- Observe el tiempo de cocción. Cocine durante el tiempo más corto indicado y agregue más según sea necesario. Los alimentos que se cocinan demasiado pueden humear o incendiarse.
- Cubra los alimentos mientras cocina. Busque sugerencias en la receta o el libro de cocina: toallas de papel, papel encerado, plástico para microondas o una tapa. Cubrir evita derrames y ayuda a que se cocine de modo uniforme.
- Cubra con pequeñas piezas de aluminio cualquier área delgada de carne o ave para evitar que se cocine demasiado.
- Mueva el alimento una o dos veces durante la cocción si es posible.
- Voltee los alimentos una vez cuando cocine en microondas para acelerar la cocción de alimentos como pollo y hamburguesas. Las piezas grandes deben voltearse al menos una vez.
- Reacomode los alimentos como las albóndigas a media cocción, del centro hacia fuera y de arriba abajo.
- Aumente el tiempo de reposo. Retire el alimento del horno y remueva si es posible. Cubra para reposar lo que permite que el alimento se termine de cocinar sin que se recocine.
- Verifique que se haya alcanzado la cocción correcta. Busque las señales que indican que las temperaturas de cocción se han alcanzado.

Las señales de una cocción correcta incluyen:

- El vapor sale por todo el alimento, no sólo por los bordes.
- La parte central del plato está muy caliente al tocarla.
- Las articulaciones del muslo del ave se mueven fácilmente.
- La carne y el pollo no están de color rosa.
- El pescado está opaco y se puede partir fácilmente con un tenedor.

ACERCA DE LA SEGURIDAD

- Verifique que los alimentos se hayan cocinado como lo recomienda el Departamento de agricultura de EE.UU.:

TEMP	ALIMENTO
145°F (63°C)	...para carne de vaca, cordero o ternera cortados en pedacitos o asados a MEDIA COCCIÓN.
160°F (71°C)	...para carne de cerdo fresca, carne picada, pescado, mariscos, platos preparados con huevo, carnes y alimentos congelados, cordero o ternera en filetes, en pedacitos o asados en PUNTO MEDIO
165°F (74°C)	...para sobras, congelados listos para recalentar, charcutería y alimentos "frescos", pollo o pavo enteros, pechugas de pollo o pavo y carne de ave picada utilizada en hamburguesas de pavo o pollo, carne de ave blanca deshuesada. NOTA: No cocine el ave rellena entera. Cocine el relleno por separado a 165°F. (74°C).

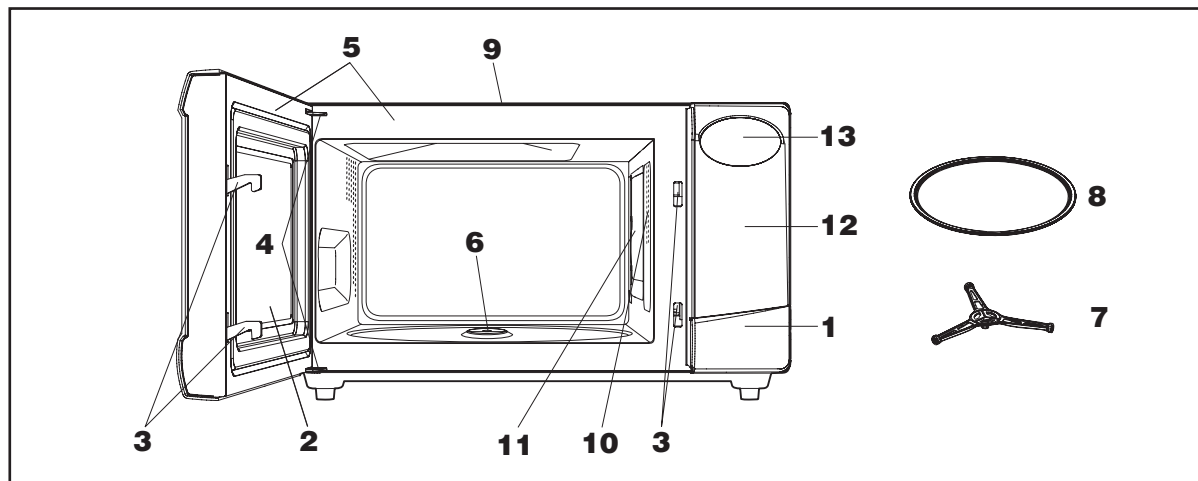
Para probar si se ha cocinado correctamente inserte un termómetro de carnes en una parte gruesa o densa lejos del hueso. NUNCA deje el termómetro dentro de la comida mientras se cocina, a menos que sea un termómetro especial para microondas.

- Siempre use agarraderas para ollas para prevenir quemaduras cuando manipule utensilios que estén en contacto con los alimentos calientes. El calor que sale de los alimentos y se transfiere hacia los utensilios es lo suficiente como para causar quemaduras.
- Evite quemarse con el vapor que sale del alimento. Suavemente retire la cubierta y con cuidado abra las bolsas de palomitas alejándose del vapor que sale de ellas.
- Permanezca cerca del horno mientras lo use para verificar el proceso y que no se sobrecocinen los alimentos.
- NUNCA use la cavidad del horno para almacenar libros de cocina u otras cosas.
- Seleccione almacene y maneje con cuidado el alimento para preservar su calidad y minimizar la proliferación de bacterias.
- Mantenga la guía de ondas limpia. Los residuos de alimento pueden producir arcos o incendios.
- Tenga cuidado al retirar las cosas del horno de manera que los utensilios, su ropa o accesorios no toquen los seguros de la puerta.




NOMBRE DE LAS PARTES

PARTES DEL HORNO



- | | |
|---|--|
| <p>1 Botón de un solo toque de la puerta.
Empuje para abrir la puerta.</p> <p>2 Puerta del horno con ventana panorámica.</p> <p>3 Seguros de la puerta.
El horno no operará a menos que la puerta esté perfectamente cerrada.</p> <p>4 Bisagras de la puerta.</p> <p>5 Sellos y superficies de sellado de la puerta.</p> <p>6 Eje del motor de la mesa giratoria.</p> <p>7 Soporte giratorio desmontable.
Con cuidado coloque el soporte de la mesa giratoria en el centro del piso del horno.</p> | <p>8 Mesa giratoria desmontable
Coloque la mesa giratoria sobre el soporte y asegúrela. La mesa podrá girar en ambos sentidos. Sólo retírela para limpiarla.</p> <p>9 Aberturas para ventilación. (Posteriores)</p> <p>10 Luz del horno.
Se encenderá cuando el horno esté operando o cuando la puerta esté abierta.</p> <p>11 Cubierta de la guía de ondas: NUNCA DEBERÁ RETIRAR ESTA PIEZA.</p> <p>12 Panel del control de toque automático.</p> <p>13 Pantalla de tiempo: 99 minutos, 99 segundos.</p> |
|---|--|

INDICACIÓN VISUAL



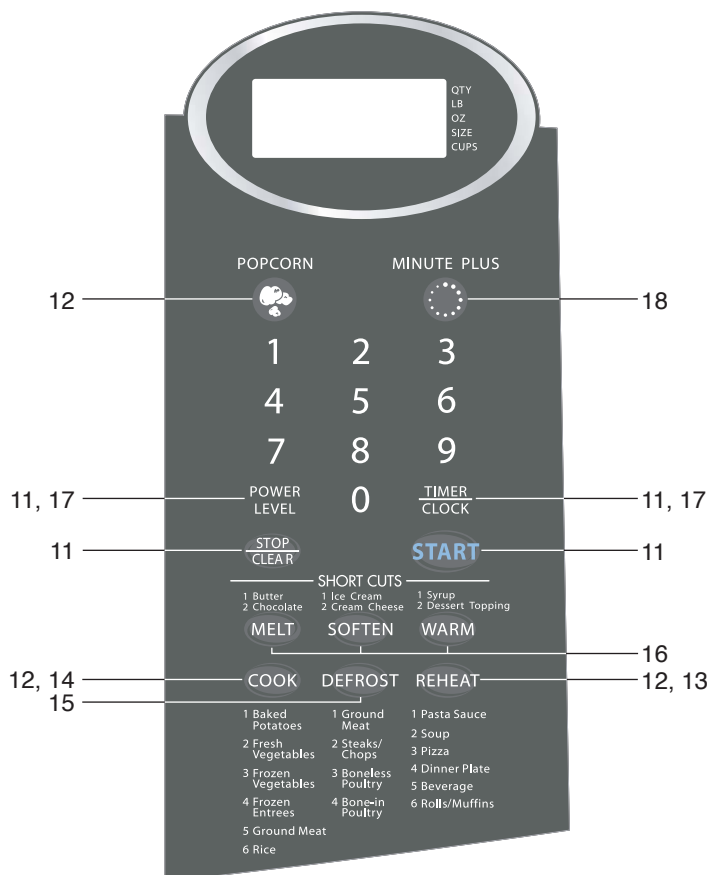
QTY
LB
OZ — Indicadores
SIZE
CUPS

La luz próxima a cada indicador proporcionará información sobre el ajuste. Las palabras de la parte inferior de la pantalla se iluminarán para indicar qué función está en progreso.



NOMBRE DE LAS PARTES

PANEL DE CONTROL





El número al lado de la tecla del panel indica la página en la cual está la descripción de la función e información útil.

ANTES DE OPERAR

- Antes de operar su nuevo horno de microondas asegúrese de leer y entender este manual de operación completamente.
- Antes de que su horno pueda ser usado, siga este procedimiento:
 1. Enchufe el horno. Su pantalla se iluminará en "88 : 88"
 2. Toque el botón **STOP/CLEAR**. Aparecerá .
 3. Configure el reloj.

PARA PROGRAMAR EL RELOJ

- Suponga que desea ingresar la hora correcta del día 12:30 (A.M. o P.M.).

PROCIMIENTO	
1 Toque el botón CLOCK .	
2 Ingrese la hora correcta del día tocando los números en secuencia.	<input type="text" value="1"/> <input type="text" value="2"/> <input type="text" value="3"/> <input type="text" value="0"/>
3 Toque el botón CLOCK nuevamente.	

Este es un reloj de 12 horas. Si usted ingresa una hora incorrecta, aparecerá un mensaje de "EE" en la pantalla. Toque el botón **CLEAR** y reingrese la hora.

- Si se interrumpe el suministro de energía del horno, la pantalla mostrará intermitentemente "88 : 88" después de que se restablezca la energía. Si esto ocurre durante la cocción, el programa se borrará. La hora del día también se borrará. Sólo tiene que pulsar el botón **STOP/CLEAR** y reiniciar el reloj para establecer la hora correcta.

STOP/CLEAR (DETENER/ RESTABLECER)

Toque el botón **STOP/CLEAR** para:


1. Borrar si ha cometido un error durante la programación.
2. Cancelar el cronómetro.
3. Mostrar la hora del día en la pantalla.
4. Detener el horno temporalmente durante la cocción, pulse una vez el botón **STOP/CLEAR**.
5. Cancelar un programa durante la cocción, pulse dos veces el botón **STOP/CLEAR**.

OPERACIÓN MANUAL

TIEMPO DE COCCIÓN

Su horno puede ser programado por 99 minutos, 99 segundos (99.99). Siempre ingrese los segundos después de los minutos, aún si ambos son ceros.

- Suponga que desea cocinar por 5 minutos al 100%.

PROCIMIENTO	
1 Ingrese el tiempo de cocción.	<input type="text" value="5"/> <input type="text" value="0"/> <input type="text" value="0"/>
2 Toque el botón START .	

PARA PROGRAMAR EL NIVEL DE POTENCIA

Existen once niveles de energía preprogramados.

El uso de niveles de menor energía aumenta el tiempo de cocción, lo que es recomendado para alimentos como queso, leche y carnes de cocción lenta y baja. Consulte su libro de cocina o receta para las recomendaciones específicas.

TOQUE EL BOTÓN POWER LEVEL	PORCENTAJE APROXIMADO DE POTENCIA	PALABRAS COMUNES PARA LOS NIVELES DE POTENCIA
una vez	100%	Alto
dos veces	90%	
3 veces	80%	
4 veces	70%	Medio Alto
5 veces	60%	
6 veces	50%	Medio
7 veces	40%	
8 veces	30%	Medio Bajo/ Descongelación
9 veces	20%	
10 veces	10%	Bajo
11 veces	0%	

- Suponga que desea descongelar durante 5 minutos al 30%.

PROCIMIENTO	
1 Ingrese el tiempo de descongelación.	<input type="text" value="5"/> <input type="text" value="0"/> <input type="text" value="0"/>
2 Toque el botón POWER LEVEL 8 veces o manténgala presionada hasta que el nivel deseado de potencia aparezca en pantalla.	 X 8
3 Toque el botón START .	

FUNCIONES ESPECIALES

POPCORN (PALOMITAS)

La función POPCORN le proporciona automáticamente el tiempo de cocción correcto para la mayoría de marcas de palomitas para microondas.

Puede probar varias y escoger su favorita.

Ponga sólo una bolsa por vez. Desdoble la bolsa y colóquela en el horno según las indicaciones.

- Suponga que quiere preparar una bolsa de palomitas de 3,5 oz (100 g) (regular).

PROCEDIMIENTO

- 1** Toque **POPCORN** una vez. El horno se inicia automáticamente. Aparecerá "1" en la pantalla.

POPCORN

- Toque **POPCORN** una vez para una bolsa de 3,5 oz (100 g) (Regular). "1" aparecerá en el display.
- Toque **POPCORN** dos veces en 2 segundos para una bolsa de 2,85 - 3,5 oz (80 - 100 g) (Regular Ligera). "2" aparecerá en el display.
- Toque **POPCORN** tres veces en 3 segundos para una bolsa de 1,2 - 1,6 oz (35 - 45 g) (Mini). "3" aparecerá en el display.
- Toque **POPCORN** tres veces en 3 segundos, después una vez por 2 segundos **POWER LEVEL** (NIVEL DE ENERGÍA) para el bolso de (bocadillos) de 1,5 - 1,75 onzas (45 - 50 g) y aparecerá en el display "PLUS".

NOTA:

1. Para utilizar el botón **POPCORN**, tóquelo dentro de tres minutos después de la cocción, abrir y cerrar la puerta o tocar el botón **STOP/CLEAR**.
2. Las palomitas se pueden programar con el Ajuste de Tiempo Más (More) o Menos (Less). Ver la página 17.

REHEAT (RECALENTAMIENTO)/ COOK (COCCIÓN)

REHEAT (RECALENTAMIENTO) y COOK (COCCIÓN) calcula automáticamente el correcto calentamiento o tiempo de cocción e el nivel de energía del microonda necesario para los alimentos mostrados.

- Suponga que quiere recalentar 2 tazas de sopa.

PROCEDIMIENTO

- 1** Toque **REHEAT** una vez.

REHEAT

- 2** Seleccione la función REHEAT deseada. (Ej: Toque el botón número **2** para seleccionar la sopa.)

2

- 3** Pulse nuevamente el botón correspondiente al mismo número para seleccionar la cantidad. (Ej: Toque **2** veces más para 2 tazas o mantenga pulsado hasta que aparezca la cantidad.)

2 X 2

- 4** Toque el botón **START**.

START

NOTA:

1. Para recalentar o cocinar alimentos diferentes o de calidad inferior o superior a las permitidas en la tabla de RECALENTAMIENTO o COCCIÓN, utilice el manual de operación.
2. El recalentamiento y la cocción pueden ser programados con los ajustes de Tiempo Más (More) o Menos (Less). Ver la página 17.
3. El resultado final de la cocción variará según el estado de los alimentos (por ejemplo: temperatura inicial, forma, calidad). Controle el alimento una vez calentado. Si se necesita más tiempo, continuar calentando o cocinando manualmente.

FUNCIONES ESPECIALES

TABLA DE RECALENTAMIENTO

ALIMENTO	CANTIDAD	PROCEDIMIENTO
1. Pasta Sauce (Salsa para pasta)	1 - 4 tazas	Utilice este ajuste para recalentar salsa preparada o hecha en casa. Coloque la salsa en una cacerola de tamaño adecuado y cúbrala con una tapa o un plástico adherente. Al final, remuévala bien y sívala con pasta cocida.
2. Soup (Sopa)	1 - 4 tazas	Colóquela en un bol o cacerola. Cúbrala con una tapa o un plástico adherente. Al final, remuévala, recúbrala y déjela en reposo de 1 a 3 minutos.
3. Pizza	1 - 4 porciones	Utilice este ajuste para recalentar sobrantes de pizza refrigerados. Una porción es aproximadamente 1/8 de una pizza de 30cm o 1/12 de una pizza de 40cm. Colóquela en una toalla de papel.
4. Dinner Plate (Plato)	1 plato	Utilice este ajuste para recalentar comida precocida del refrigerador. Coloque porciones de carne y vegetales voluminosos hacia fuera del plato. Corte las partes más grandes como papas asadas en partes más pequeñas. Aplane alimentos como puré de papas y otra comida densa. Cúbralo con papel de cera o plástico adherente. SÓLO UN PLATO. Después de cocinar, compruebe que la comida esté caliente en todas partes y que el centro inferior del plato esté muy caliente. Si no es así, continúe calentándolo. Permita que esté en reposo, cubierto, de 1 a 2 minutos.
	1 Regular	Pulse el botón REHEAT (RECALENTAMIENTO) y después el número [4] dos veces para una cantidad normal de alimento: aproximadamente 4 onzas (110 g) para porciones de carne o de aves, 1/2 taza de patatas o de arroz y 1/2 taza de vegetales o el equivalente. "REG" aparecerá en el display.
	1 Grande	Pulse el botón REHEAT (RECALENTAMIENTO) y después el correspondiente número [4] tres veces para una mayor cantidad de alimento en el plato. "LG" aparecerá en el display.
	1 Pequeño	Pulse el botón REHEAT (RECALENTAMIENTO) y después el correspondiente número [4] cuatro veces para una menor cantidad de alimento en el plato de cenar. "S" aparecerá en el display.
Cazuela (Ajuste normal: 1,5 tazas)	1-2 tazas	Utilice este ajuste al calentar alimentos surgelados o pasta hecha en casa con salsa u otra cocinadas en cazuela. Para la pasta o salsa a temperatura ambiente, utilizar la opción "LESS" menos. Para la pasta sin salsa duplique el ajuste a la cantidad. Por ejemplo a la medida de 2 tazas de tallarines cocinados programe para 1 taza. Cubrala con la tapa o el papel de plástico. Después de cocinar, revolver y dejar tapado de 2 a 3 minutos.
	1,5 tazas	Pulse el botón REHEAT (RECALENTAMIENTO) y después el correspondiente número [4] dos veces para 1,5 tazas de la cazuela "REG" aparecerá en el display.
	2 tazas	Pulse el botón REHEAT (RECALENTAMIENTO) y después el correspondiente número [4] tres veces para 2 tazas de la cazuela "LG" aparecerá en el display.
	1 taza	Pulse REHEAT y a continuación el teclado numérico [4] veces para 1 copa de cacerola, aparecerá "S" en la pantalla.
5. Bebida	0,5 - 2 tazas	Esta programación es buena para regular la temperatura de bebidas frías. Toque REHEAT y luego el botón número [5] para un aumento de 0,5 tazas por toque. Remueva el líquido vigorosamente antes de calentarlo y remuévalo con cuidado al final para evitar una "erupción".
6. Rolls/ Muffins (Bocadillos/ Bollos)	1 - 6 piezas	Utilice esta función para calentar bocadillos, bollos, bizcochos, rosquillas, etc. Las piezas grandes deberán ser consideradas como 2 regulares. Tape cada rollo/panecillo con una toalla de papel. Para bollos o bizcochos refrigerados, podría ser necesario doblar la cantidad ingresada para asegurar la temperatura correcta al servir. Por ejemplo, ingrese la cantidad de 2 para un bollo refrigerado. Para los rollitos o los muffins congelados, utilice el ajuste de tiempo Más (More).

FUNCIONES ESPECIALES

TABLA DE COCCIÓN

ALIMENTO	CANTIDAD	PROCEDIMIENTO
1. Baked Potatoes (Papas al horno)	1 - 4 med.	Pínchelas. Colóquelas sobre la placa giratoria forrada con toallas de papel. Después de cocinarlas, quítelas del horno, envuélvalas en papel aluminio y déjelas reposar de 5 a 10 minutos.
2. Fresh Vegetables (Verduras frescas)	1 - 4 tazas	Para frejoles zanahorias, maíz y arvejas, añada 1 cucharada de agua por taza. Para brócoli, coles de Bruselas, coles y coliflores, cocínelos inmediatamente después de lavarlos, sin agua adicional. Si le gustan los vegetales crujientes y tiernos, duplique la cantidad medida por ajuste. Después de cocinar, retírelo del horno, remuévalo, cúbralo y déjelo en reposo de 3 a 5 minutos antes de servir.
3. Frozen Vegetables (Verduras congeladas)	1 - 4 tazas	No añada agua. Cubra con plástico adherente o una tapa. Después de cocinar, mueva y deje reposar, cubierto por 3 minutos.
4. Frozen Entrees (Entrada congelada)	6 - 17 oz (170 - 480 g)	Utilice esta función para congelados, dará resultados satisfactorios para la mayoría de las marcas. Usted podría probar varias y escoger su favorita. Retire la cubierta del empaque y siga las instrucciones del paquete para cubrir. Después de cocinar, deje reposar, cubierto de 1 a 3 minutos.
	6 - 8 oz (170 - 230 g)	Toque COOK y el botón número 4 dos veces para envoltorios de un peso de 6-8 oz (170 – 230 g). “6-8” aparecerá en pantalla.
	9 - 11 oz (231 - 310 g)	Toque COOK y el botón número 4 tres veces para envoltorios de un peso de 9-11 oz (231 – 310 g). “9-11” aparecerá en pantalla.
	12 - 14 oz (311 - 400 g)	Toque COOK y el botón número 4 cuatro veces para envoltorios de un peso de 12-14 oz (311 – 400 g). “12-14” aparecerá en pantalla.
5. Ground Meat (Carne molida)	15 - 17 oz (401 - 480 g)	Toque COOK y el botón número 4 cinco veces para envoltorios de un peso de 15-17 oz (401 – 480 g). “15-17” aparecerá en pantalla.
	0,3 - 1,5 libras (0,2 - 0,7 kg)	Use este ajuste para cocinar carne molida o de ave en partes o en una cacerola para agregarle otros ingredientes. Coloque las piezas en un rack para microondas y cúbralas con papel encerado. Coloque la carne molida en una cacerola y cúbrala con papel encerado o con plástico adherente. Puede cocinar carne picada de 0,3 lb (0,15 kg), 0,5 lb (0,25 kg), 0,7 lb (0,3 kg), 1,0 lb (0,45 kg), 1,3 lb (0,6 kg) y 1,5 lb (0,7 kg) pulsando el botón número 5 . Cuando el horno se detenga, voltee las piezas o mueva la carne en la cacerola para romper en piezas grandes. Cubra nuevamente y pulse el botón START . Después De cocinar, deje reposar cubierto de 2 a 3 minutos.
6. Rice (Arroz)	0,5 - 2,0 tazas	Ponga el arroz en una cacerola profunda y agregue el doble de cantidad de agua. Cubra con plástico adherente o una tapa. Puede cocinar media taza, 1 taza, 1,5 tazas y 2 tazas de arroz pulsando el número 6 . Después de cocinar, mueva y deje reposar de 3 a 5 minutos o hasta que todo el líquido se haya absorbido.

Arroz	Agua	Tamaño de cacerola
0,5 taza	1 taza	1,5 cuarto (1,5 l)
1 taza	2 tazas	2 cuarto (2 l)
1,5 tazas	3 tazas	2,5 o 3 cuarto (2,5 o 3 l)
2 tazas	4 tazas	3 cuarto (3 l) o más

FUNCIONES ESPECIALES

DESCONGELAMIENTO

Esta función descongela automáticamente los alimentos mostrados en el cuadro de abajo.

Redondee el peso a múltiplos de 50 gramos.

- Suponga que desea descongelar un bistec de 3,0 libras.

PROCEDIMIENTO

1	Toque DEFROST una vez.	DEFROST
2	Seleccione la comida deseada pulsando el número de botón. (Ej: Toque el número 2 para Bistecs/Chuletas.)	2
3	Toque los botones de número para el peso deseado. (Ej: Toque 3 0 para 3,0 lb.)	3 0
4	Toque el botón START .	START
5	Después de la primera etapa, abra la puerta, voltee el bistec y cubra las partes calientes. Cierre la puerta. Toque el botón START .	START
6	Después de la segunda etapa, abra la puerta. Cubra cualquier parte caliente. Cierre la puerta. Toque el botón START .	START
7	Después de terminado el ciclo de descongelamiento, cubra y deje reposar como se indica en el tabla siguiente:	

NOTA:

1. La función de descongelado puede ser programada con un ajuste de mayor o menor tiempo. Toque el botón **POWER LEVEL** una o dos veces después de seleccionar la cantidad. Vea página 17.
2. Para descongelar otros alimentos, o alimentos en cantidades diferentes de las indicadas en la tabla, use el tiempo y 30% de la potencia. Vea **DESCONGELAMIENTO MANUAL** abajo.
3. Si intenta colocar mayor o menor cantidad que la estipulada en la tabla de abajo, se mostrará "EE" en la pantalla.
4. El peso se puede introducir solo en libras.

DESCONGELAMIENTO MANUAL

Si el alimento que desea descongelar no está en la TABLA DE DESCONGELAMIENTO o si está por arriba o debajo de los límites en la columna CANTIDAD, debe descongelar manualmente.

Usted puede descongelar cualquier alimento congelado, crudo o cocido, usando el 30% del nivel de potencia. Consulte la página 11. Calcule el tiempo estimado de descongelado y pulse el botón **POWER LEVEL** 8 veces para el 30 % cuando seleccione el nivel de potencia.

Ya sea para alimentos crudos o cocidos, la regla general es de aproximadamente 4 minutos por libra. Por ejemplo, descongele 4 minutos para 1 libra (450 g) de salsa de spaghetti congelada.

Siempre detenga el horno periódicamente para retirar o separar las partes que ya están descongeladas.

Si el alimento no está descongelado al final del tiempo estimado, programe el horno en incrementos de 1 minuto al nivel de potencia de 30% hasta que esté completamente descongelado.

Cuando use recipientes de plástico del congelador, descongele solo lo suficiente para retirarlo del plástico para colocarlo en un recipiente adecuado para microondas.

TABLA DE DESCONGELAMIENTO

ALIMENTO	CANTIDAD	PROCEDIMIENTO
Ground Meat (Carne Molida)	0,5 - 2,0 libras (0,3 - 0,9 kg)	Retire cualquier pieza descongelada después de cada etapa. Permita reposar, cubra, de 5 a 10 minutos.
Steaks/Chops (Bistec/Chuleta)	0,5 - 3,0 libras (0,3 - 1,3 kg)	Después de cada etapa o ciclo de descongelación, reacomode y si hay alguna parte tibia o descongelada, cúbrala con trozos pequeños de papel aluminio. Retire cualquier pieza que se encuentre casi descongelada. Deje reposar, cubra, de 10-20 minutos.
Boneless Poultry (Carne de ave deshuesada)	0,5 - 1,5 libras (0,3 - 0,7 kg)	Después de cada etapa o ciclo de descongelación, si hay partes descongeladas o tibias, reacomode o retire. Deje reposar, cubra, de 10-20 minutos.
Bone-in Poultry (Carne de ave con hueso)	0,5 - 3,0 libras (0,3 - 1,3 kg)	Coloque las piezas con trozos más carnosas en la parte exterior del plato de cristal o bandeja del microondas. Después de cada etapa, si hay partes tibias o descongeladas, reacomode o retirelas. Deje reposar, cubra, de 10-20 minutos.

NOTA: Revise los alimentos cuando lo indique el horno. No descongele demasiado. Al final del ciclo, algunas partes podrían estar heladas aún. Déjelas reposar para que continúen descongelándose. Cubrir los alimentos previene que partes de alimento se cocinen antes de que el centro esté descongelado. Use pequeños trozos de papel aluminio para cubrir los bordes y las secciones delgadas de los alimentos.

FUNCIÓNES ESPECIALES

FUNCIÓNES RÁPIDAS

MELT, SOFTEN y WARM calculan automáticamente el tiempo de calentamiento correcto y el nivel de potencia de las microondas para derretir, suavizar y calentar los alimentos indicados en la tabla inferior.

- Suponga que quiere derretir 1 pieza de chocolate.

PROCEDIMIENTO	
1 Toque MELT una vez.	MELT
2 Seleccione la comida deseada pulsando el número de botón. (Ej: Toque 2 para chocolate.)	2
3 Toque otra vez el mismo número de botón para seleccionar la cantidad. (Ej: Toque 2 dos veces más para 1 tableta.)	2 x 2
4 Toque el botón START .	START

NOTA:

1. Para derretir, suavizar o calentar otros alimentos, o en diferentes cantidades a las indicadas en la TABLA DE FUNCIONES RÁPIDAS, utilice el manual de operación.
2. Las Funciones Rápidas pueden programarse con ajuste de más o menos tiempo. Ver página 17.

TABLA DE FUNCIONES RÁPIDAS

ALIMENTO	CANTIDAD	PROCEDIMIENTO
DERRETIR		
Utilice una taza de medición Pyrex®. Cúbrela con un plástico adherente.		
1. Mantequilla	2 cucharadas 1/2 taza	Después de pulsar MELT , pulse 1 dos veces para 2 cucharadas. "1" aparecerá en el display. Después de pulsar MELT , pulse 1 tres veces para 1/2 taza. "2" aparecerá en el display.
2. Chocolate	1 taza de chips 1 tableta de chocolate	Después de pulsar MELT , pulse 2 dos veces para 1 taza de chips. "1" aparecerá en el display. Después de pulsar MELT , pulse 2 tres veces para 1 tableta. "2" aparecerá en el display.
SUAUZAR		
NO LO CUBRA.		
1. Helados	473 ml (1 pinta) 1,8 l (1/2 galón)	Después de pulsar SOFTEN , pulse 1 dos veces para 473 ml. "1" aparecerá en el display. Después de pulsar SOFTEN , pulse 1 tres veces para 1,8 l. "2" aparecerá en el display.
2. Queso crema	85 g (3 oz) 226 g (8 oz)	Después de pulsar SOFTEN , pulse 2 dos veces para 85 g. "1" aparecerá en el display. Después de pulsar SOFTEN , pulse 2 tres veces para 226 g. "2" aparecerá en el display.
CALENTAR		
Utilice una taza de medición Pyrex®. NO LO CUBRA.		
1. Almíbar	1/4 taza 1/2 taza	Después de pulsar WARM , pulse 1 dos veces para 1/4 taza. "1" aparecerá en el display. Después de pulsar WARM , pulse 1 tres veces para 1/2 taza. "2" aparecerá en el display.
2. Coberturas de postres	1/4 taza 1/2 taza	Después de pulsar WARM , pulse 2 dos veces para 1/4 taza. "1" aparecerá en el display. Después de pulsar WARM , pulse 2 tres veces para 1/2 taza. "2" aparecerá en el display.

OTRAS PRÁCTICAS FUNCIONES

MODO DE DEMOSTRACIÓN

Para pruebas, toque el botón **TIMER/CLOCK**, el número **0**, y el botón **START** durante 3 segundos. Aparecerá "SHO" en la pantalla. Ahora pueden demostrarse las operaciones de cocción y funciones específicas sin energía en el horno. Por ejemplo, toque **MINUTE PLUS** y la pantalla mostrará "1.00" y contará en reversa hasta "End".

Para cancelar, toque **TIMER/CLOCK**, y luego el número **0** y el botón **STOP/CLEAR**. Si le es más fácil, desconecte el horno y reconéctelo.

AJUSTE DE MÁS (MORE) O MENOS (LESS) TIEMPO

Si descubre que prefiere alguna de las funciones para preparar Palomitas, Cocinar, Recalentar, Funciones rápidas o Descongelar un poco **más** hecha, pulse el botón **POWER LEVEL** una vez después de pulsar los botones deseados o antes de pulsar el botón **START**.

La pantalla mostrará "PLUS".

Si descubre que prefiere alguna de las funciones para preparar Palomitas, Cocinar, Recalentar, Funciones rápidas o Descongelar un poco **menos** hecha, pulse el botón **POWER LEVEL** dos veces después de pulsar los botones deseados o antes de pulsar el botón **START**.

La pantalla mostrará "LESS".

NOTA:

Para **POPCORN** (palomitas), el botón **POWER LEVEL** (nivel de potencia) se ha de pulsar dentro de los siguientes 2 segundos de haber tocado su elección de botones.

TIMER (CRONÓMETRO)

- Suponga que desea ajustar el temporizador a 3 minutos.

PROCEDIMIENTO

1 Ingrese el tiempo.

2 Toque el botón **TIMER**.

COCCIÓN EN SECUENCIA MÚLTIPLE

El horno puede ser programado hasta para 3 secuencias automáticas de cocción, cambiando de un nivel de potencia a otro automáticamente.

A veces las indicaciones de cocción le indican que inicie en un nivel de potencia y luego cambie a uno diferente. Su horno puede hacer esto automáticamente.

- Suponga que quiere cocinar durante 5 minutos al 100% y luego seguir cocinando durante 30 minutos al 50%.

PROCEDIMIENTO

1 Ingrese el primer tiempo de cocción. Presione **POWER LEVEL** una vez para un 100% de potencia. x 1

2 Ingrese el segundo tiempo de cocción. Después toque **POWER LEVEL** 6 veces para el 50% de potencia. x 6

3 Toque el botón **START**.

NOTA:

1. Si toca una vez el botón de **POWER LEVEL**, aparecerá "P-HI" (Alto).
2. Si selecciona 100% como la secuencia final, no es necesario presionar el botón **POWER LEVEL**.
3. Si usted desea conocer el nivel de potencia, simplemente toque el botón **POWER LEVEL**. Mientras su dedo toque el botón **POWER LEVEL**, se mostrará el nivel de potencia.

CHILD LOCK (BLOQUEO PARA NIÑOS)

Esta función previene que los niños pequeños realicen operaciones no deseadas en el horno. El horno puede configurarse de modo que el panel de control esté desactivado o bloqueado. Para programar, pulse **TIMER/CLOCK**, el número **1**, y luego pulse el botón **START** durante 3 segundos. Si un botón es pulsado aparecerá "SAFE" en pantalla.

Para cancelar, toque **TIMER/CLOCK**, y luego el número **1** y el botón **STOP/CLEAR**.

El **Bloqueo de seguridad** se cancela cuando el suministro de energía eléctrica de su horno se interrumpe. Ponga nuevamente el **Bloqueo de seguridad** cuando se restaure la energía del horno.

ELIMINACIÓN DE SEÑAL AUDIBLE

Si desea que el horno funcione sin señales audibles, toque el botón **TIMER/CLOCK**, el número **5** y luego pulse el botón **START** durante 3 segundos.

Para cancelar y restaurar la señal audible, pulse **TIMER/CLOCK** el número **5**, y pulse el botón **STOP/CLEAR**.

OTRAS FUNCIONES CONVENIENTES

MINUTE PLUS (EL MINUTO MÁS)

Esta función le permite cocinar durante un minuto al 100%, simplemente presionando el botón **MINUTE PLUS**. Usted puede también extender el tiempo de cocción en múltiplos de 1 minuto tocando repetidamente el botón **MINUTE PLUS** durante la cocción manual.

- Suponga que desea calentar una taza de sopa durante un minuto al 100%.

PROCEDIMIENTO

- 1 Toque el botón **MINUTE PLUS**.

MINUTE PLUS

NOTA:

1. Para usar el MINUTE PLUS, presione el botón dentro de 3 minutos después de cocinar, cerrando la puerta o pulsando el botón **STOP/CLEAR**.
2. MINUTE PLUS no puede usarse con las Funciones Especiales.

LIMPIEZA Y CUIDADO

Desconecte el cable de alimentación antes de limpiar o deje la puerta del horno abierta, para desactivar el horno durante la limpieza.

Exterior

La superficie exterior es pintada. Limpie con jabón suave y agua. A continuación limpie con un paño húmedo y seque con un paño suave. No utilice ningún limpiador doméstico o abrasivo.

Puerta

Limpie la ventana por ambos lados con un trapo húmedo para remover derrames. Las partes metálicas serán más fácil de mantener si se limpia frecuentemente con un paño suave humedecido. Evite utilizar sprays y otros limpiadores ásperos ya que podrían manchar, rallar o quitar el brillo de la superficie de la puerta. Cuando limpie las superficies de la puerta y del horno que se junten al cerrar la puerta, utilice sólo líquidos neutros, jabones no abrasivos, o detergentes aplicados con una esponja o trapo suave.

Panel de control

Limpie el panel con un paño levemente mojado sólo con agua. Seque con un trapo suave. No restriegue ni use ningún tipo de limpiador químico. Cierre la puerta y presione **STOP/CLEAR**.

Interior

Limpiar es fácil porque se genera poco calor en las superficies interiores, por lo que, no existirán derrames o manchas. Para limpiar las superficies interiores, limpie con un paño suave húmedo. **NO USE LIMPIADORES ABRASIVOS O FUERTES NI ESPONJAS METÁLICAS**. Para manchas mayores, use bicarbonato de sosa o un jabón suave; limpie con un

pañó húmedo suave. **NUNCA APLIQUE LIMPIADORES DE HORNO EN AEROSOL DIRECTAMENTE SOBRE NINGUNA PARTE DEL HORNO.**

Cubierta de la guía de ondas

La cubierta de la guía de ondas está hecha de mica, por lo que requiere especial cuidado. Lave cuidadosamente todas las partículas de alimento de la cubierta usando un paño húmedo para quitar salpicaduras de comida inmediatamente después de que ocurran. La acumulación de salpicaduras puede causar sobrecalentamiento, humo o un posible incendio. No retire la cubierta de la guía de ondas.

Para quitar el olor

Ocasionalmente, puede quedar en el horno algún olor de la cocción. Para quitar, mezcle 1 taza de agua/250 ml, la cáscara rallada y el jugo de 1 limón, varios clavos enteros en 2 tazas/500 ml de cristal de medida ideal para microondas. Hierva por varios minutos al 100%. Déjela en el horno hasta que se enfríe. Limpie el interior con un trapo suave.

Mesa giratoria/Soporte de la mesa

La mesa giratoria y el soporte pueden quitarse para facilitar la limpieza. Lávelos en agua jabonosa; para manchas difíciles use un limpiador suave y una esponja no abrasiva. También son apropiados para lavavajillas. Use el bastidor superior del lava vajillas. El sello del eje del motor de la mesa giratoria no es sellado, así que el agua excesiva o los derrames deben ser limpiados inmediatamente.



LLAMADA PARA SERVICIO

Por favor, verifique lo siguiente antes de llamar a servicio:

Coloque una taza de agua en aquella de medida de cristal para microondas en el horno y asegurese de cerrar correctamente la puerta.

Opere el horno un minuto a 100% ALTO.

- A** ¿Se enciende la luz del horno? Sí _____ NO _____
- B** ¿Funciona el ventilador?
(Coloque su mano sobre las ranuras de ventilación posteriores) Sí _____ NO _____
- C** ¿Gira la mesa?
(Es normal que la mesa gire en cualquier dirección) Sí _____ NO _____
- D** ¿El agua en el horno está caliente? Sí _____ NO _____

Si responde "NO" a alguna de las preguntas, verifique el tomacorriente, el fusible o el interruptor automático. Si están funcionando adecuadamente, **CONTACTE AL SERVICIO ESPECIALIZADO SHARP MÁS CERCANO. Un horno de microondas nunca debe ser reparado por un aficionado.**

NOTA:

1. Si el tiempo en la pantalla desciende muy rápidamente, verifique el Modo de Demostración en la página 17 y cancélelo.
2. Si el horno se ha programado por más de 20 minutos a 80, 90, o 100% de potencia, después de los primeros 20 minutos el nivel de potencia se ajustará automáticamente al 70%, para evitar la sobrecocción.

INFORMACIÓN DEL LIBRO DE COCINA

125 GRANDES RECETAS

- Todo sobre su microondas
- Fotos a color
- Instrucciones paso a paso
- Cubierta blanda y durable con 192 páginas de 7" x 10"
- Consejos útiles y técnicas especiales

SHARP®

LIBRO DE COCINA DEL HORNO MICROONDAS

PARA PEDIRLO

Solo llame a este número gratuito: **1-800-237-4277**. Por favor, tenga a la mano su tarjeta de crédito.

Si prefiere realizar su pedido por correo, complete y envíe el formulario de pedido de la página 20. Por favor incluya el cheque o giro postal (pagadero a Sharp Electronics Corporation) por 14,00 dólares, más 4,50 dólares por gastos de manejo y envío, e impuestos, de ser aplicables, por libro.

SATISFACCIÓN GARANTIZADA

Quedará totalmente satisfecho con el Libro de Cocina del Horno Microondas de Sharp. Si dentro de los 14 días posteriores a su compra no está satisfecho por cualquier razón, simplemente devuelva el libro y con mucho gusto le reembolsaremos sus 14,00 dólares, más el impuesto.

(¡SOLAMENTE ESCRITO EN INGLÉS!)



ESPECIFICACIONES

	R-308N	R-307N
Voltaje de corriente alterna:	120 V monofásico, 60 Hz, solo corriente alterna	
Requisitos de energía:	1530 vatios, 13 amperios	
Salida de potencia: Microondas* (Procedimiento de prueba IEC)	1100 vatios	
Frecuencia:	2450 MHz	
Dimensiones exteriores:	20 1/2" (A) x 12 1/4" (AL) x 17 1/4" (P) (520 mm x 310 mm x 437 mm)	20 1/2" (A) x 12 1/4" (AL) x 17 3/8" (P) (520 mm x 310 mm x 441 mm)
Dimensiones de la cavidad**:	14 3/4" (W) x 8 1/8" (H) x 15 1/4" (D) (375 mm x 206 mm x 387 mm)	
Capacidad del horno**	1,0 Pies cúbicos / 30L	
Uniformidad de cocción:	Sistema de mesa giratoria, diámetro 12 5/8" / diámetro 320 mm	
Peso	Aprox. 32 libras / 14.5 kg	

* La Comisión Electrotécnica Internacional estandarizó el método para medir la potencia de salida en vatios. Este método de prueba está ampliamente aceptado.

** La capacidad interna del horno se calcula midiendo el ancho, profundidad y altura máximos. La capacidad real para almacenar alimento es menor.

De conformidad con los estándares ajuste según:

FCC – Autorizada por la Comisión Federal de Comunicaciones.

DHHS – Cumple con la norma del Departamento de salud y servicios humanos (DHHS), CFR, Título 21, Capítulo I, Subcapítulo J.



– Este símbolo en la placa del fabricante indica que este producto está registrado por Underwriters Laboratories, Inc.

----- Corte a lo largo de esta línea. -----

FORMULARIO DE PEDIDO DEL LIBRO DE COCINA

Por favor envíeme _____ libros de cocina a \$ 18,50 cada uno \$ _____
 impuesto a las ventas de Illinois, (si es aplicable) por libro \$ 0,91 \$ _____
 número de libros _____

CANTIDAD TOTAL DEL PEDIDO \$ _____

He incluido un cheque pagadero a Sharp Electronics Corporation.

Por favor cargue a mi VISA MASTERCARD AMERICAN EXPRESS

Cuenta No. _____ Fecha de vencimiento ____ / ____

Firma _____

(Todas las órdenes de tarjeta de crédito deben ser firmadas)

Nombre _____

Dirección _____

Ciudad _____ Estado _____ Código postal _____

Número de teléfono () _____

Enviar a: Sharp Electronics Corporation.
 Atención : Customer Assistance Center
 1300 NAPERVILLE DRIVE Romeoville,
 IL 60446-1091

Precio sujeto a cambio sin aviso previo.

GUÍA AUTO-TOUCH

Para mayor información y precauciones de seguridad, consulte el Manual de Operación

PARA FIJAR LA HORA

Si en la pantalla se lee "88:88" toque primero **STOP/CLEAR**.

1 Toque el botón **CLOCK**.

TIMER
CLOCK

2 Ponga la hora correcta del día oprimiendo los números en secuencia (Ej: 12:30).

1 2 3 0

3 Toque el botón **CLOCK** otra vez.

TIMER
CLOCK

OPERACIÓN MANUAL

Cocción de Alta Potencia

1 Introduzca el tiempo de cocción pulsando los botones de número. (Ej: 1 min. 30 seg.)

1 3 0

START

2 Toque el botón **START**.

Cocinado de potencia variable

1 Después del Paso 1 anterior, toque el botón **POWER LEVEL** ocho veces para reducir a 30%.

POWER
LEVEL x 8

START

2 Toque el botón **START**.

EL MINUTO MÁS

Toque **MINUTE PLUS** durante 1 minuto al 100% de potencia o para añadir un minuto durante la cocción manual. Continúe pulsándolo para adicionar minutos.

MINUTE
PLUS

RECALENTAMIENTO/COCCIÓN/FUNCIONES RÁPIDAS

1 Toque el botón **REHEAT**.

REHEAT

2 Seleccione el ajuste Reheat deseado. (Ej: pulse **2** para recalentar sopa.)

2

3 Toque el número **2** dos veces para 2 copas.

2 x 2

4 Toque el botón **START**.

START

TABLA DE RECALENTAMIENTO

ALIMENTO	CANTIDAD
1. Pasta Sauce (Salsa para pasta)	1 - 4 tazas
2. Soup (sopa)	1 - 4 tazas
3. Pizza	1 - 4 porciones
4. Dinner Plate (Plato) Casserole	1 plato: Regular, Grande o Pequeño 1,5 tazas, 2 tazas o 1 taza
5. Beverage (Bebida)	0,5 - 2,0 tazas
6. Rolls/Muffins (Bocadillos/Bollos)	1 - 6 piezas

TABLA DE COCCIÓN

ALIMENTO	CANTIDAD
1. Baked Potatoes (Papas al horno)	1 - 4 medianas
2. Fresh Vegetables (Verduras frescas)	1 - 4 tazas
3. Frozen Vegetables (Verduras congeladas)	1 - 4 tazas
4. Frozen Entrees (Entrada congelada)	6 - 17 oz (170 - 480 g)
5. Ground Meat (Carne molida)	0,3 - 1,5 lb (0,2 - 0,7 kg)
6. Rice (Arroz)	0,5 - 2,0 tazas

TABLA DE FUNCIONES RÁPIDAS

ALIMENTO	CANTIDAD
DERRETIR	
1. Mantequilla	2 cucharadas, 1/2 taza
2. Chocolate	1 taza de chips, 1 tableta
SUAVIZAR	
1. Helado	473 ml (1 pinta), 1,8 l (1/2 galón)
2. Queso crema	85 g (3 oz), 226 g (8 oz)
CALENTAR	
1. Almíbar	1/4 taza, 1/2 taza
2. Coberturas de postres	1/4 taza, 1/2 taza

POPCORN (PALOMITAS)

Toque el botón **POPCORN** una vez para el tamaño regular (3,5 oz/100 g).

Dos veces – tamaño regular ligero (2,85 - 3,5 oz/80 - 100 g)

3 veces – tamaño mini (1,2 - 1,6 oz/35 - 45 g)

3 veces/(con ajuste MÁS) tamaño snack (1,5-1,75 oz/45 - 50 g).

POPCORN

DESCONGELAMIENTO

1 Toque el botón **DEFROST**.

DEFROST

2 Seleccione el ajuste de Defrost deseado. (Ej: toque **2** para descongelar un bistec.)

2

3 Toque el número **3** y **0** para 3,0 lb (1,3 kg).

3 0

4 Toque el botón **START**.

START

TABLA DE DESCONGELAMIENTO

ALIMENTO	CANTIDAD
1. Ground Meat (Carne molida)	0,5 - 2,0 lb (0,3 - 0,9 kg)
2. Steaks/Chops (Bistecs/Chuletas)	0,5 - 3,0 lb (0,3 - 1,3 kg)
3. Boneless Poultry (Carne de ave deshuesada)	0,5 - 1,5 lb (0,3 - 0,7 kg)
4. Carne de ave con hueso	0,5 - 3,0 lb (0,3 - 1,3 kg)