



INSTALLATION INSTRUCTIONS

For Sharp Carousel® Built-in Kit Models RK56S27 or RK56S30

S = STAINLESS

THIS KIT IS UL APPROVED TO ALLOW CERTAIN MICROWAVE OVENS TO BE INSTALLED ABOVE ANY ELECTRIC WALL OVEN. PLEASE SEE THE OPERATION MANUAL REGARDING APPROVED BUILT-IN APPLICATIONS.

IMPORTANT:

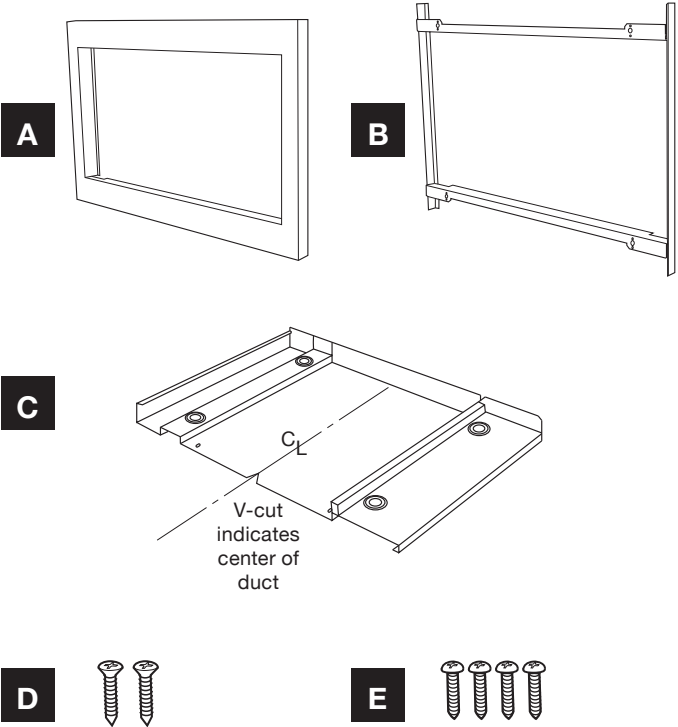
This Built-in Kit is designed for and approved only for those Sharp Microwave Ovens specifying Built-In Kit RK56S27 or RK56S30. Refer to instruction manual for approved models.

PLEASE READ THESE INSTRUCTIONS THOROUGHLY BEFORE BEGINNING INSTALLATION!

- Be sure to DISCONNECT THE PLUG of the microwave oven from the electrical outlet before installing the Built-in Kit. Remove the Carousel turntable from the oven cavity.
- Because the kit includes metal parts, due caution should be used in handling and installation to avoid the possibility of injury.



ITEM	PART NAME	QTY
A	FRONT FRAME RK56S27: FDECAB252MRK0 RK56S30: FDECAB253MRK0	1
B	BACK FRAME RK56S27: FDECAB255MRK0 RK56S30: FDECAB255MRK0	1
C	EXHAUST DUCT ASSEMBLY PDUC-B188MRP0	1
D	SCREW D: XTSS740P20000	2
E	SCREW E: XOPS740P16000	4

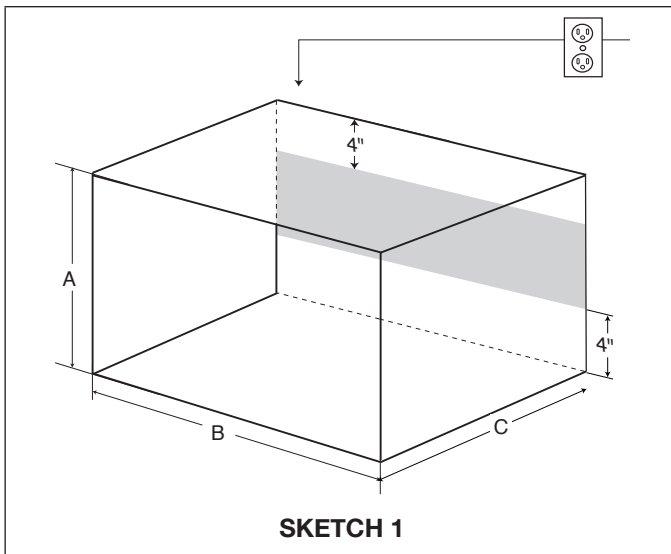


STEP 1 | CABINET OR WALL OPENING

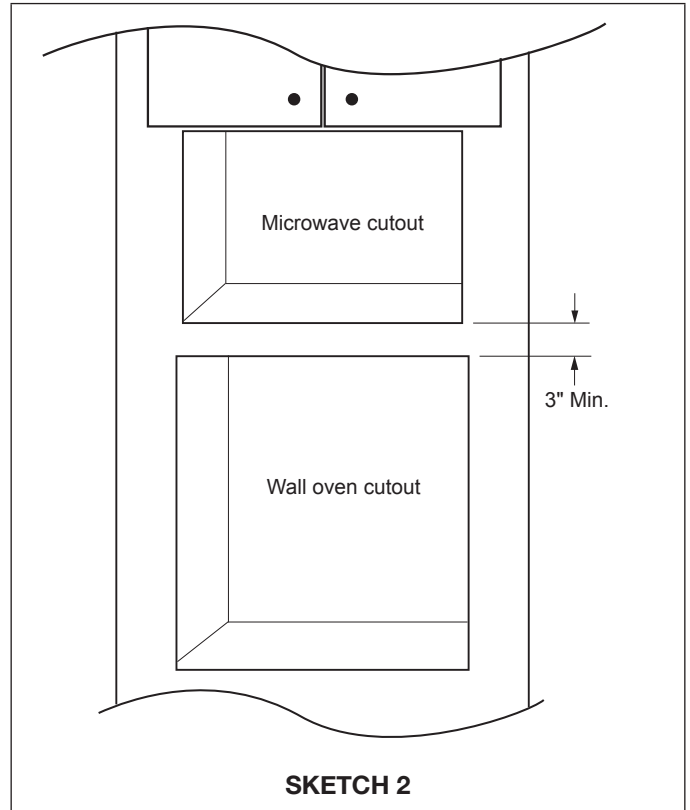
The opening in the wall or cabinet must be within the following dimensions:

Cut Out	RK56S27 & RK56S30
Height (A)	16 ¹ / ₄ "
Width (B)	26 ¹ / ₈ " to 26 ³ / ₈ "
Minimum Depth (C)	20"

Outlet should **NOT** be in the shaded area as indicated on Sketch 1.



- Please allow minimum 3" wood gap between the microwave oven cutout and the appliance cutout below the microwave oven. See Sketch 2

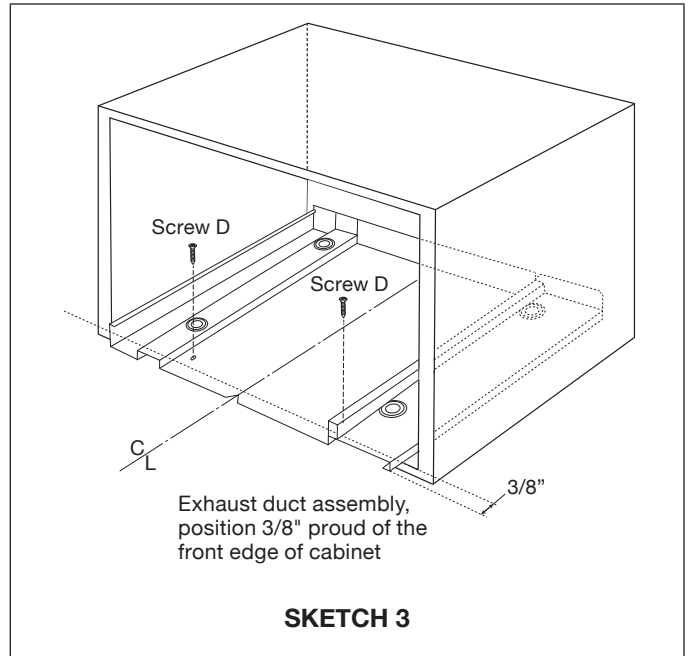


- If the dimension of DEPTH (C) is more than 21", the outlet location may be any area on the rear wall.
- The floor of the opening should be constructed of plywood strong enough to support the weight of the oven and floor load (about 100 pounds). The floor should be level and 90° with the face of the cabinet for proper installation and operation of the oven. Be sure to check the local building code as it may require that the opening be enclosed with sides, ceiling and rear partition. The proper functioning of the oven does not require the enclosure.

NOTES

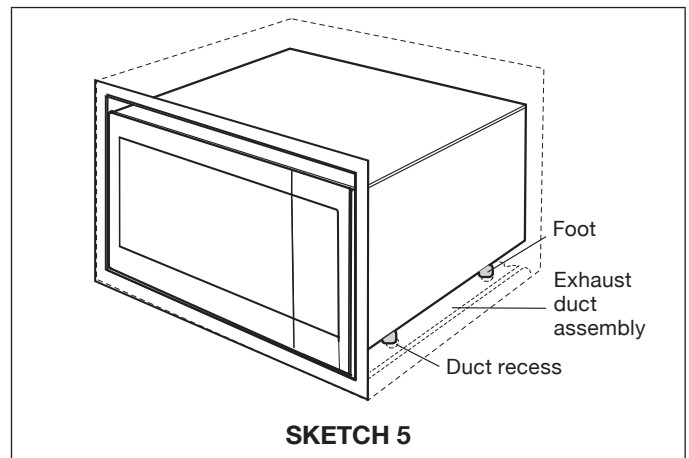
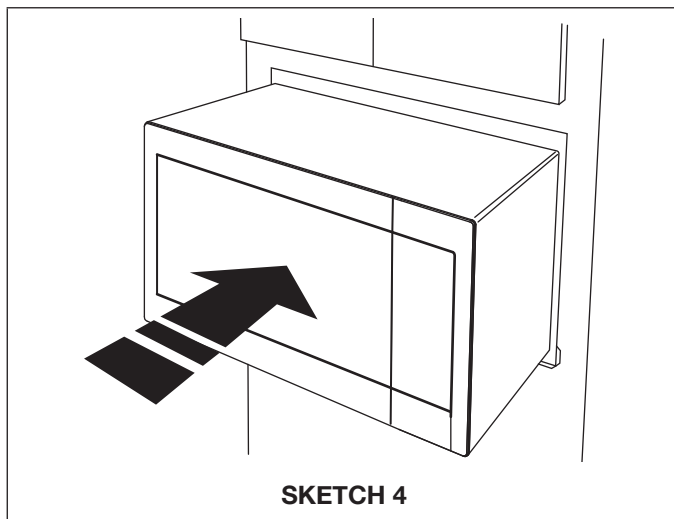
STEP 2 | EXHAUST DUCT ASSEMBLY INSTALLATION

1. Place the EXHAUST DUCT ASSEMBLY in the center of the opening. Position the front edge of the duct 3/8" proud of the front edge of the cabinet. See Sketch 3.
2. Mark the two holes, center punch and pre-drill with 1/16" drill bit. Secure the EXHAUST DUCT ASSEMBLY with two SCREWS D. See Sketch 3.



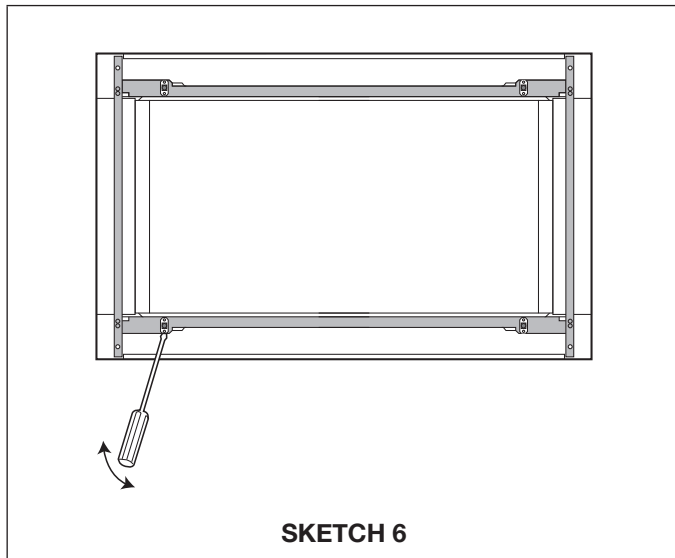
STEP 3 | FRAME INSTALLATION

1. Place the oven adjacent to the wall or cabinet opening. Plug the POWER CORD into the electrical outlet.
2. Carefully guide the assembled oven into the prepared opening. Slide the oven on the EXHAUST DUCT ASSEMBLY. See Sketch 4. Avoid pinching the cord between the oven and the wall. Adjust the position of the oven so that the feet of the oven are fitted into the recesses of the EXHAUST DUCT ASSEMBLY and door will open properly. See Sketch 5.

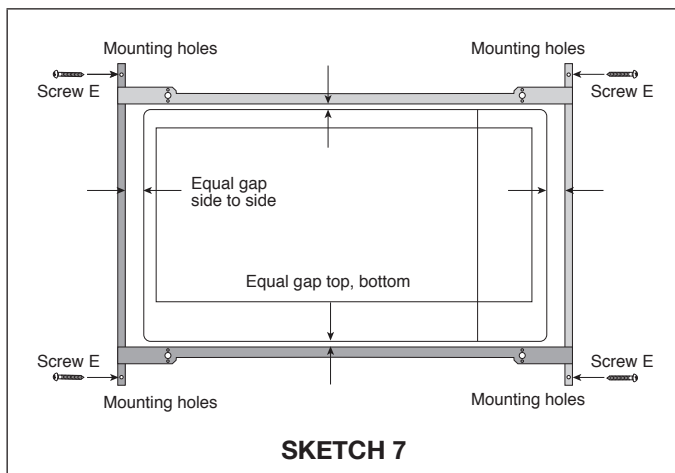


STEP 3 | FRAME INSTALLATION

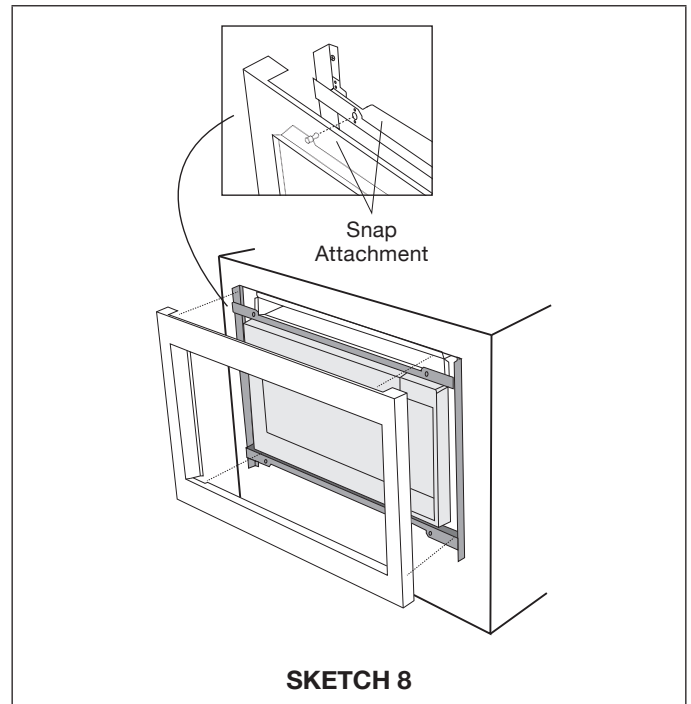
3. **DISASSEMBLY:** The FRONT FRAME and BACK FRAME come pre-assembled with ball studs engaged in the receivers. Separate the FRONT FRAME from the BACK FRAME. Place the assembly face down on a protected surface. At the location of the ball stud, insert a flat head screwdriver between the FRONT FRAME and the BACK FRAME and gently pry up to disengage the ball stud from the receiver. Repeat for each corner. See Sketch 6.



4. **BACK FRAME INSTALLATION:** Position back frame equal space top to bottom, side to side. Mark for 4 holes, center punch and pre-drill with 1/16" drill bit. Secure frame with 4 SCREWS (E). See Sketch 7.



5. **FRONT FRAME INSTALLATION:** Place the FRONT FRAME onto the BACK FRAME and align ball studs and receivers. Secure the FRONT FRAME to the BACK FRAME by firmly pushing the front frame onto the back frame engaging the four (4) snap attachments. See Sketch 8.



SHARP®

SHARP ELECTRONICS CORPORATION
100 Paragon Drive, Montvale, New Jersey 07645

For any other assistance or information about this kit,
please call Sharp's Customer Assistance Center at
1-800-BE-SHARP (1-800-237-4277)

TINSEB567MRR0