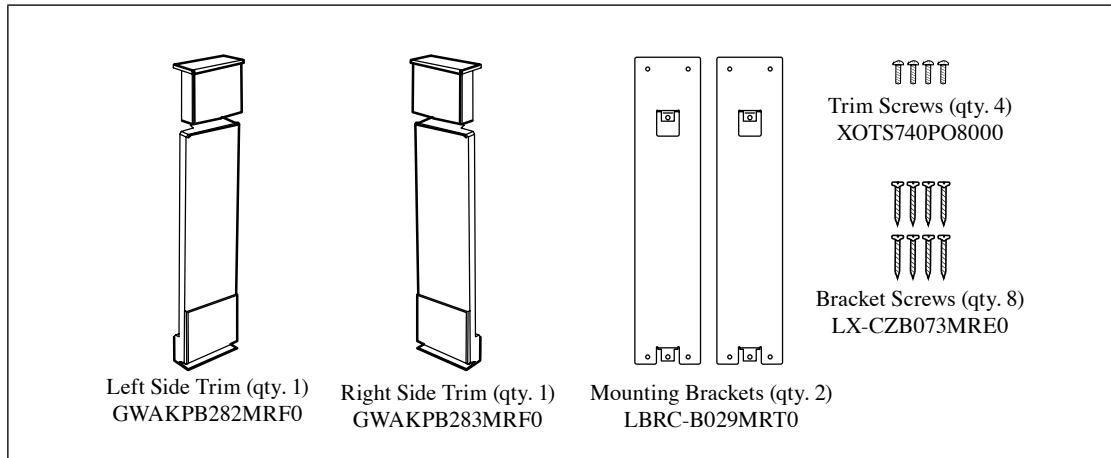


## 30" EXTENSION KIT: SKMD30E3DS INSTALLATION INSTRUCTIONS

### IMPORTANT NOTES TO THE INSTALLER

- Read all of the Installation Manual that is included with the Microwave Drawer before installing the extension kit.
- Observe all governing codes, ordinances, and safety instructions.
- Be sure to leave these instructions with the consumer.

Parts included:



Install the extension kit after properly installing the microwave drawer in the cabinet. See steps below.

Note that the side trims are marked "L" and "R" on the back side.

### MICROWAVE DRAWER STANDARD MOUNT, MEASUREMENTS AND INSTALLATION INSTRUCTIONS

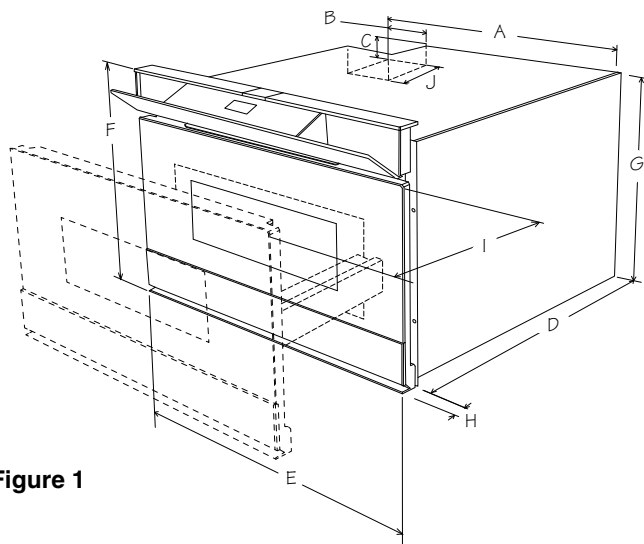
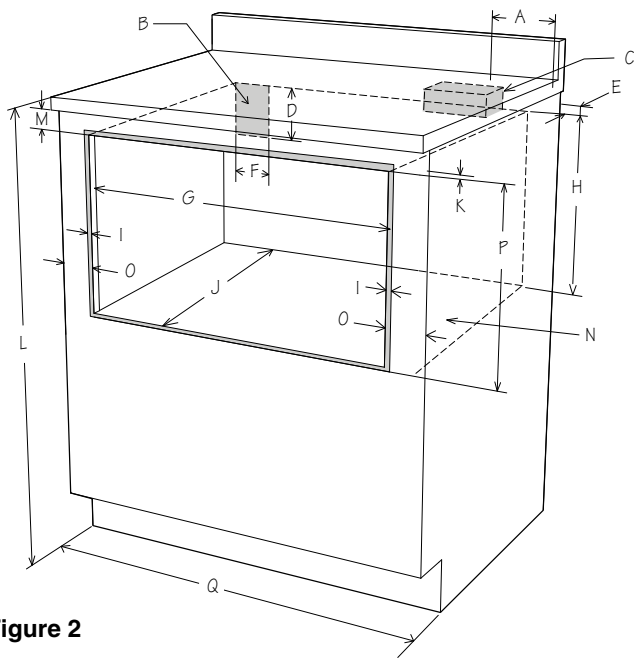


Figure 1

- A. 21-5/8" (549.3 mm)
- B. 4-11/16" (119.1 mm)
- C. 1-3/4" (44.5 mm)
- D. 21-7/8" (555.6 mm)
- E. 23-5/8" (600.1 mm)
- F. 16" (406.4 mm)
- G. 14-19/32" (370.7 mm)
- H. 1-17/32" (38.9 mm) door thickness
- I. 15" (381.0 mm) auto drawer opening
- J. 4" (101.0 mm)



**Figure 2**

- A. 6" (152.4 mm)
- B. Suggested electrical outlet location\*
- C. Anti-Tip block
- D. 5" (127.0 mm)
- E. 3-1/2" (88.9 mm)
- F. 4" (101.6 mm)
- G. 22-1/8" (562.0 mm) opening
- H. 14-13/16" (376.2 mm) to bottom of Anti-Tip block
- I. Allow 7/8" (22.2 mm) overlap
- J. 23-1/2" (596.9 mm) minimum depth
- K. Allow 7/16" (11.1 mm) overlap
- L. 36" (914.4 mm) countertop height
- M. Allow 7/16" (11.1 mm) minimum space
- N. Floor must support 100 lb (45.4 kg)
- O. Allow 4-1/8" (104.4 mm) minimum space
- P. 15-9/16" (395.3 mm) opening
- Q. 30" (762.0 mm) minimum width

Figures 1 and 2 contain many Microwave Drawer measurements for reference when planning the drawer's location.

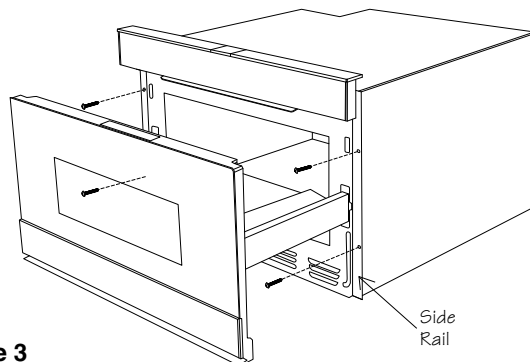
This Microwave Drawer can be installed below any electric or gas wall oven.

\* Can also be installed using an electrical outlet in an adjacent cabinet within the area where the provided electrical cord can reach. Power cord access hole in cabinet should be a minimum 1-1/2" diameter hole and deburred of all sharp edges.

**IMPORTANT** Always allow sufficient power cord length to the electrical outlet to prevent tension.

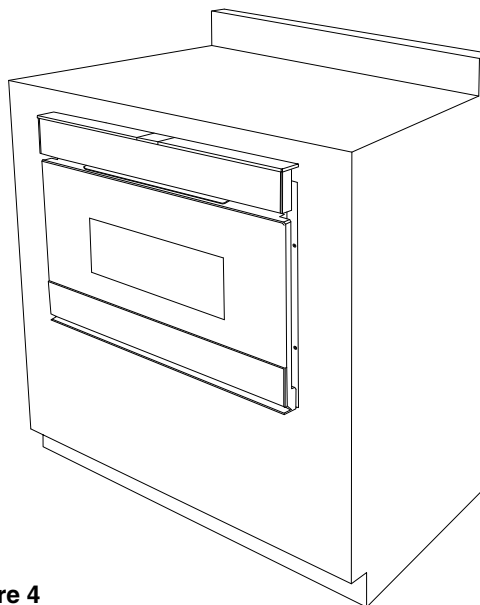
Always check electrical codes for requirements.

1. Prepare cabinet opening as shown in Figure 2.
2. Place the drawer adjacent to the wall or cabinet opening. Plug the power supply cord into the electrical outlet.
3. Carefully guide the drawer into the prepared opening. Avoid contact with the sides of the cutout opening and also pinching the cord between the oven and the wall.
4. Slide the drawer all the way back until the side rails are flush with the face of the cabinet.
5. Open the drawer. Using the 4 holes on the drawer as a template, pre-drill the cabinet using a 1/16" (1.6 mm) bit. Secure the drawer with the 4 screws supplied. See Figure 3.



**Figure 3**

6. Close drawer to complete oven installation. See Figure 4.

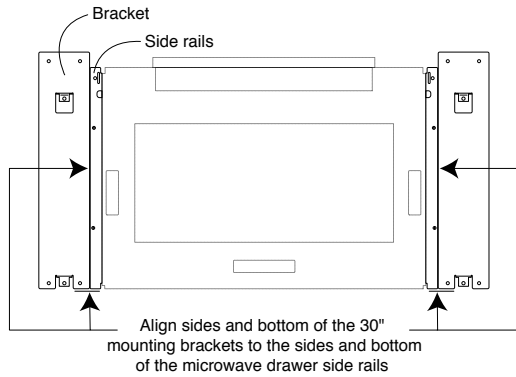


**Figure 4**

7. Remove the 2 trim screws from each mounting bracket to begin installation.

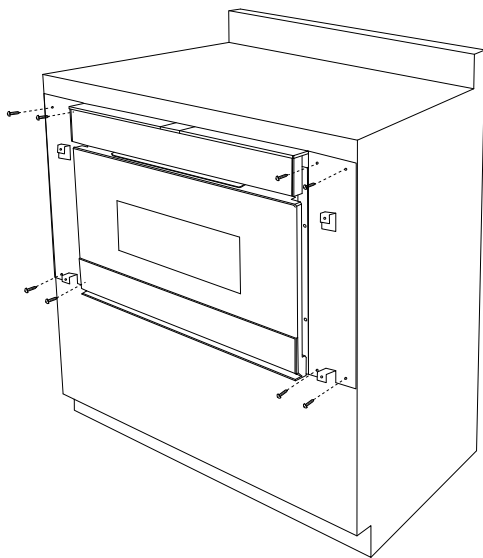
**Note: The mounting brackets come assembled to the side trims.**

8. Open the drawer to properly align brackets to microwave side rails. See Figure 5.



**Figure 5**

9. Using the 4 holes on each bracket as a template, pre-drill the cabinet using a 1/16" (1.6 mm) bit. Secure the mounting brackets to cabinet with the 8 bracket crews provided. See Figure 6.

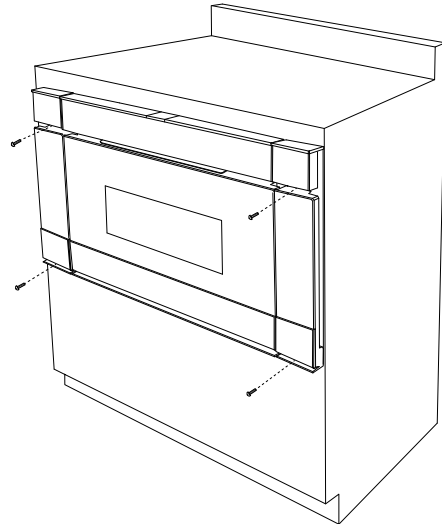


**Figure 6**

10. Place side trims on top of the mounting brackets, aligning the screw holes.

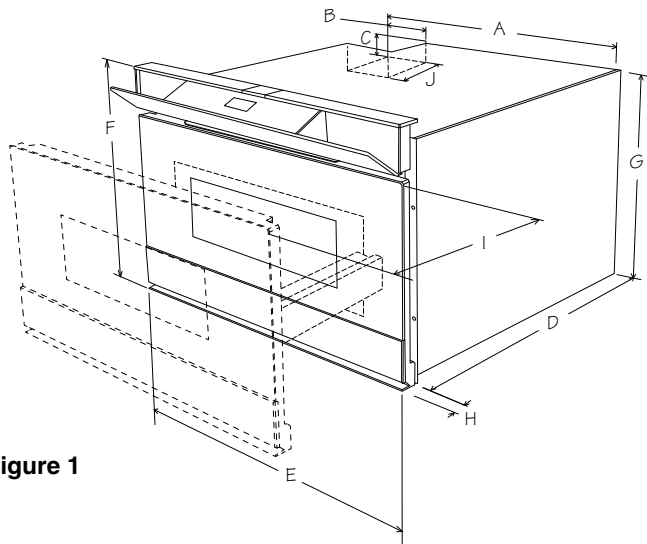
**Note: Each side trim is marked "L" and "R" on the backside to indicate Left and Right.**

11. Mount the Left and Right 30" trim extensions using the 4 trim screws provided. See Figure 7.



**Figure 7**

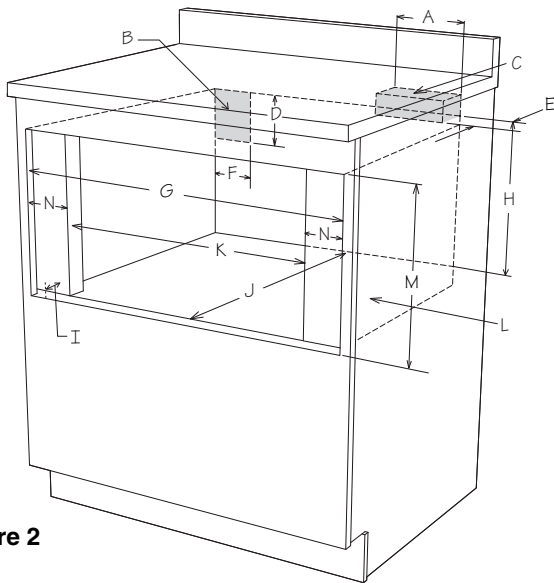
# MICROWAVE DRAWER FLUSH MOUNT, MEASUREMENTS AND INSTALLATION INSTRUCTIONS



**Figure 1**

- |                        |                                       |
|------------------------|---------------------------------------|
| A. 21-5/8" (549.3 mm)  | F. 16" (406.4 mm)                     |
| B. 4-11/16" (119.1 mm) | G. 14-19/32" (370.7 mm)               |
| C. 1-3/4" (44.5 mm)    | H. 1-17/32" (38.9 mm) door thickness  |
| D. 21-7/8" (555.6 mm)  | I. 15" (381.0 mm) auto drawer opening |
| E. 23-5/8" (600.1 mm)  | J. 4" (101.0 mm)                      |

1. Prepare cabinet opening as shown in Figure 2.



**Figure 2**

- |  |  |
|--|--|
| A. 6" (152.4 mm)                                     | I. 1-17/32" (38.9 mm) Refer to Figure 3 **               |
| B. Suggested electrical outlet location*             | J. 23-1/2" (596.9 mm) minimum depth                      |
| C. Anti-Tip block                                    | K. 22-1/8" (562.0 mm)                                    |
| D. 5" (127.0 mm)                                     | L. Floor must support 100 lb (45.4 kg)                   |
| E. 3-1/2" (88.9 mm)                                  | M. 16-1/4" (412.8 mm) opening * See Figure 4C for detail |
| F. 4" (101.6 mm)                                     | N. Allow 4-1/8" (104.4 mm)                               |
| G. 30-5/16" (769.9 mm) min<br>30-5/8" (777.9 mm) max |  |
| H. 14-13/16" (376.2 mm) to bottom of Anti-Tip block  |  |

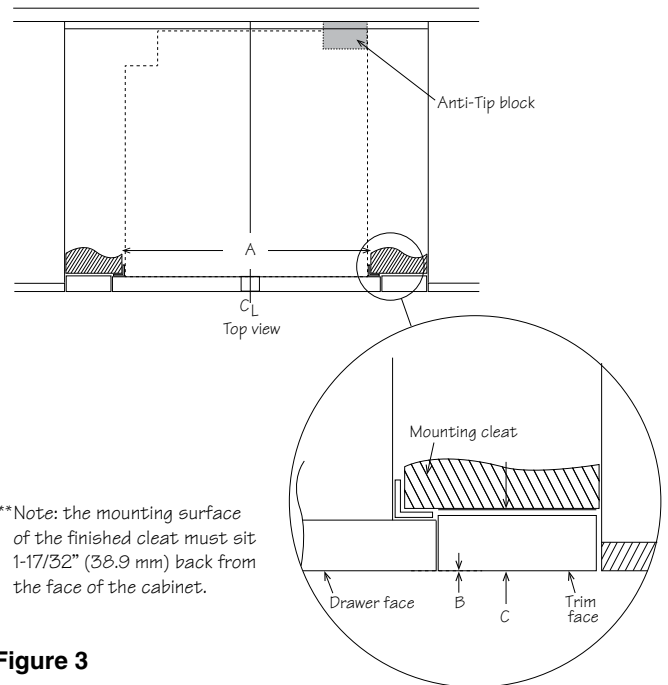
Figures 1 and 2 contain many Microwave Drawer measurements for reference when planning the drawer's location.

This Microwave Drawer can be installed below any electric or gas wall oven.

\* Can also be installed using an electrical outlet in an adjacent cabinet within the area where the provided electrical cord can reach. Power cord access hole in cabinet should be a minimum 1-1/2" diameter hole and deburred of all sharp edges.

**IMPORTANT** Always allow sufficient power cord length to the electrical outlet to prevent tension.

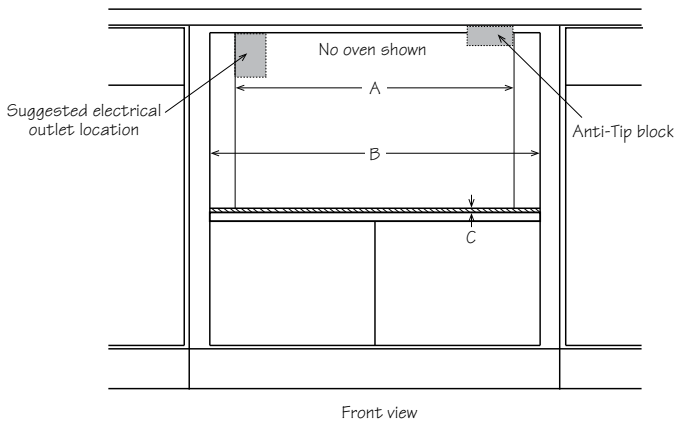
Always check electrical codes for requirements



**Figure 3**

- |  |
|--|
| A. 22-1/8" (596.9 mm) mounting cleat opening width   |
| B. 0" flush  |
| C. 1-17/32" (38.9 mm) front of cleat to cabinet face |

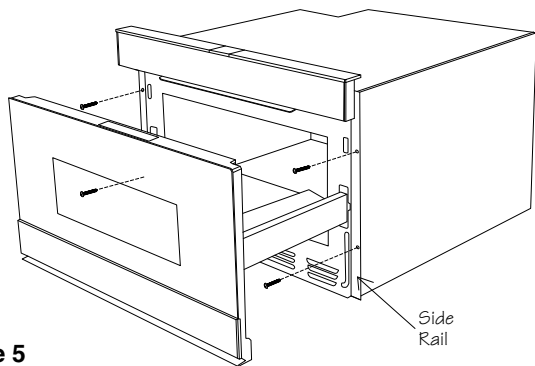
**Note:** For pre-existing 30" cabinet openings that desire a standard mount, filler panels will need to be installed on either side of the cut out to properly mount the extension kit panels.



**Figure 4**

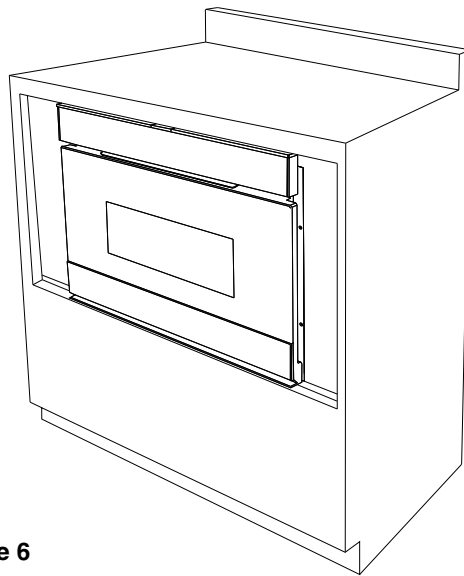
- A. 22-1/8" (562.0 mm) mounting cleat opening width
- B. 30 - 5/16" (770.0 mm) minimum  
30-5/8" (777.9 mm) maximum
- C. 1/8" (3.2 mm) from opening to top of shelf

2. Place the drawer adjacent to the wall or cabinet opening. Plug the power supply cord into the electrical outlet.
3. Carefully guide the drawer into the prepared opening. Avoid contact with the sides of the cutout opening and also pinching the cord between the oven and the wall.
4. Slide the drawer all the way back until the side rails touch the cleats mounted in the cabinet opening.
5. Open the drawer. Using the 4 holes on the drawer as a template, pre-drill the cabinet using a 1/16" (1.6 mm) bit. Secure the drawer with the 4 screws supplied. See Figure 5.



**Figure 5**

6. Close drawer to complete oven installation. See Figure 6.

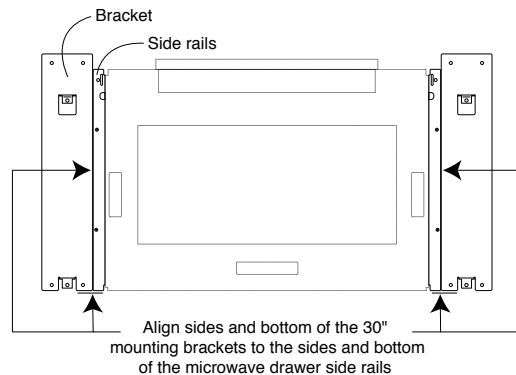


**Figure 6**

7. Remove the 2 trim screws from each mounting bracket to begin installation.

**Note: The mounting brackets come assembled to the side trims.**

8. Properly align brackets to microwave side rails. See Figure 7.



**Figure 7**

9. Using the 4 holes on each bracket as a template, pre-drill the cabinet using a 1/16" (1.6 mm) bit. Secure the mounting brackets to cabinet with the 8 bracket screws provided. See Figure 8.

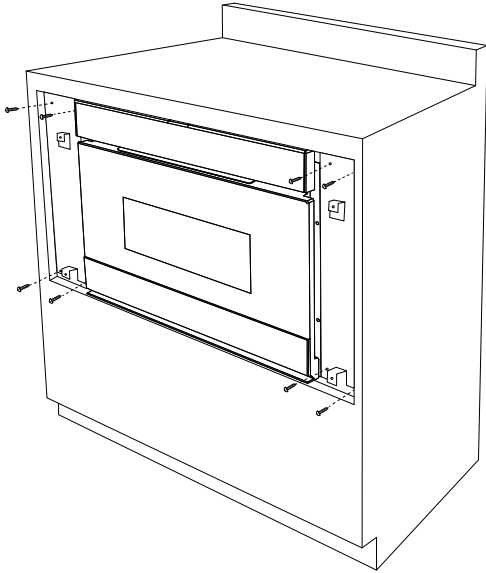


Figure 8

10. Place side trims on top of the mounting brackets, aligning the screw holes.

**Note: Each side trim is marked "L" and "R" on the backside to indicate Left and Right.**

11. Mount the Left and Right 30" trim extensions, using the 4 trim screws provided. See Figure 9.

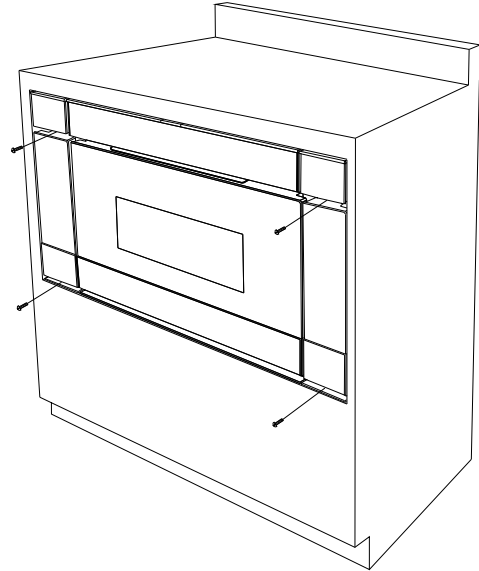


Figure 9

# SHARP®