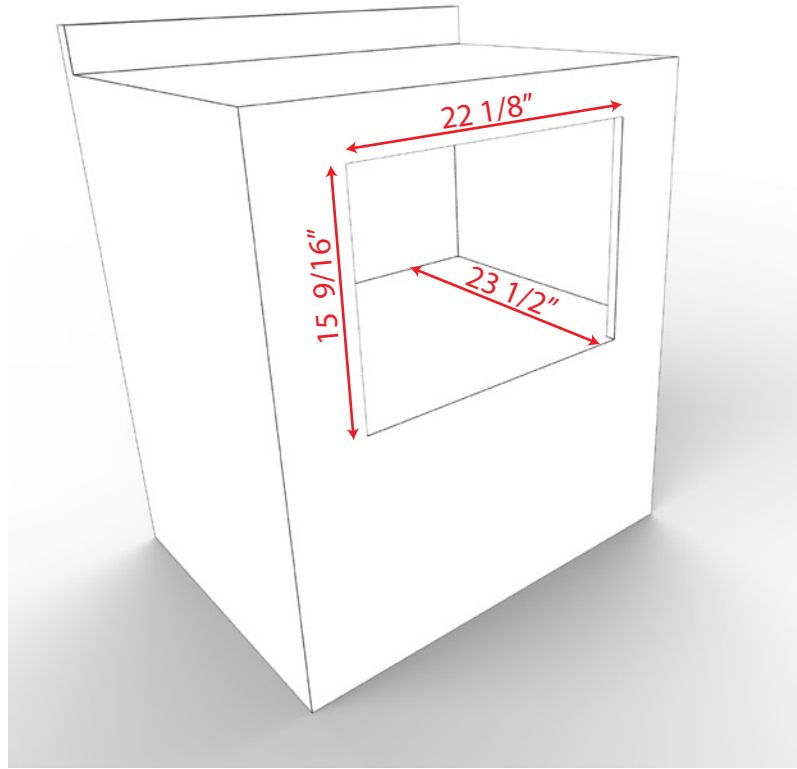
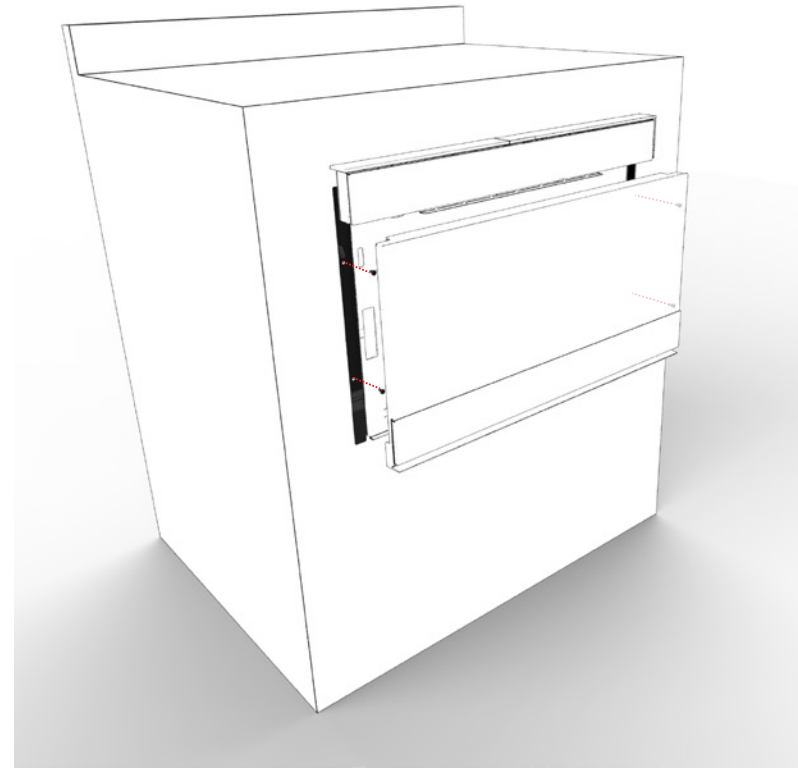


# SKMD30E3DS (30" Drawer Trim Kit Installation)

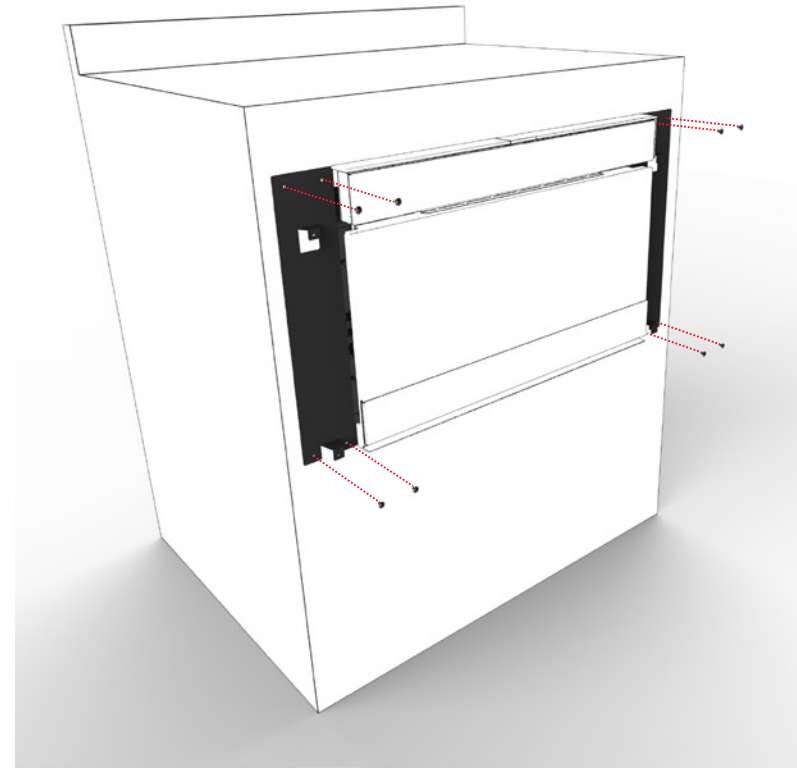
1. Cabinet Cutout: W **22 1/8"** x H **15 9/16"** x D **23 1/2"**



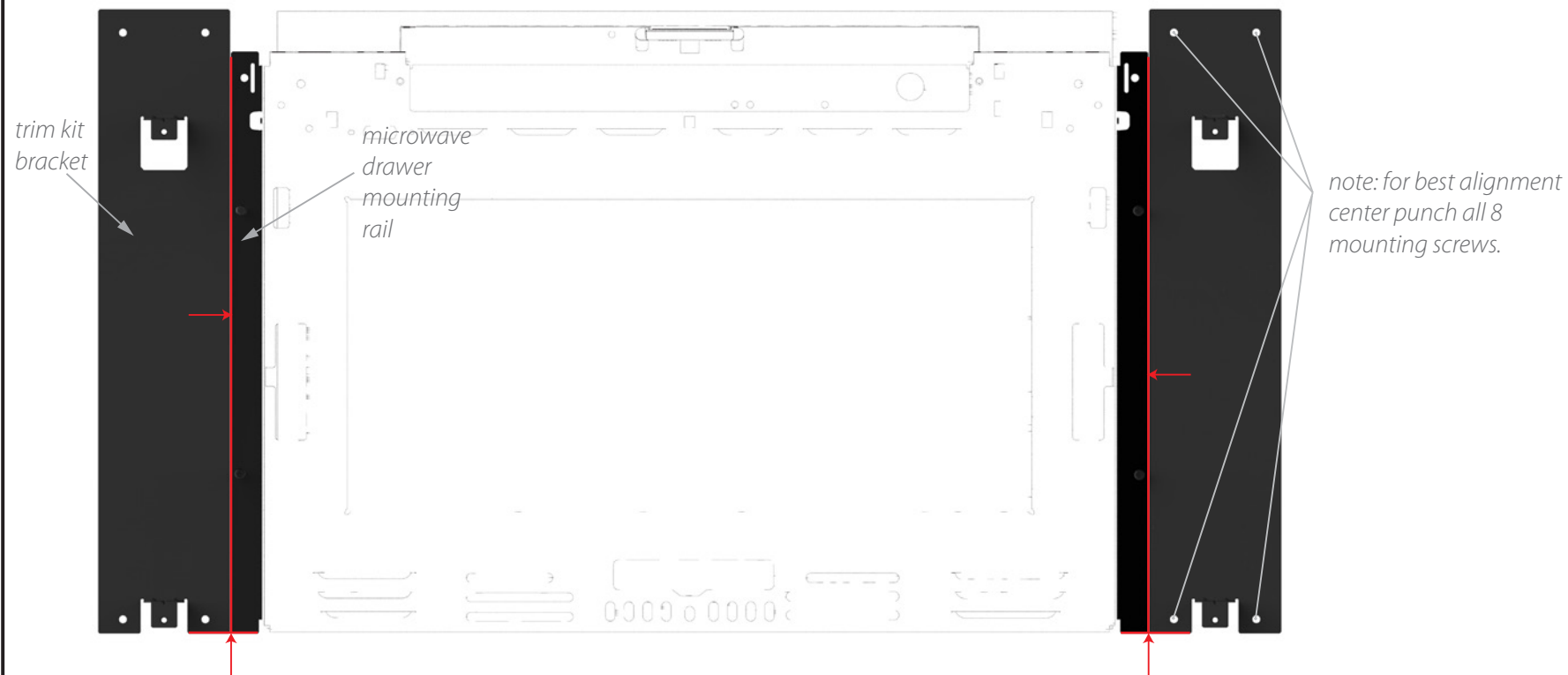
2. Install **SMD2480CS Microwave Drawer**



3. Install **SKMD30E3DS brackets**



3a. Align the **Bottom and Sides of trim kit brackets** with Microwave Drawer mounting rails:



4. Install decorative trim pieces

