

# SHARP®

## INSTALLATION INSTRUCTIONS

### For Sharp Carousel® Built-in Kit Models RK-48S27, RK-48S30, RK-52S27 or RK-52S30.

THIS KIT IS UL APPROVED TO ALLOW CERTAIN MICROWAVE OVENS TO BE INSTALLED ABOVE ANY ELECTRIC WALL OVEN. PLEASE SEE THE OPERATION MANUAL REGARDING APPROVED BUILT-IN APPLICATIONS.

\* S= Stainless

#### IMPORTANT:

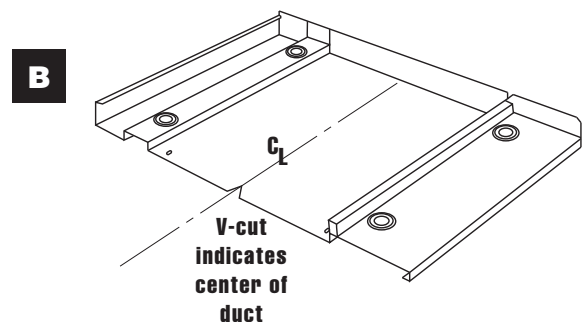
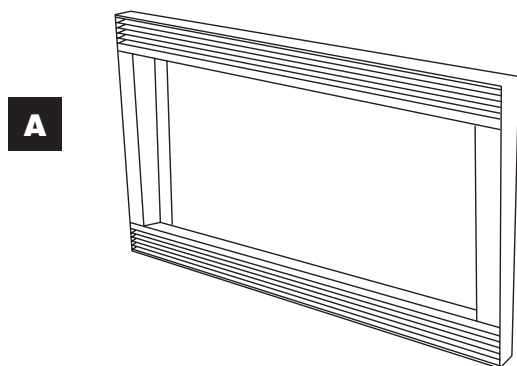
This Built-in Kit is designed for and approved only for those Sharp Microwave Ovens specifying Built-In Kit RK-48S27, RK-48S30, RK-52S27 or RK-52S30. Refer to operation manual for approved models.

PLEASE READ THESE INSTRUCTIONS THOROUGHLY BEFORE BEGINNING INSTALLATION!

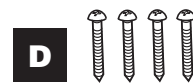
- Be sure to DISCONNECT THE PLUG of the microwave oven from the electrical outlet before installing the Built-in Kit. Remove the Carousel turntable from the oven cavity.
- Because the kit includes metal parts, due caution should be used in handling and installation to avoid the possibility of injury.



ITEM	PART NAME	QTY
A	FRAME ASSEMBLY	1
B	EXHAUST DUCT ASSEMBLY	1
C	SCREW C (4mm x 12mm long)	2
D	SCREW D (3mm x 47mm long)	4



XOTS740P12000



LX-CZB012MRE0

# STEP 1 CABINET OR WALL OPENING

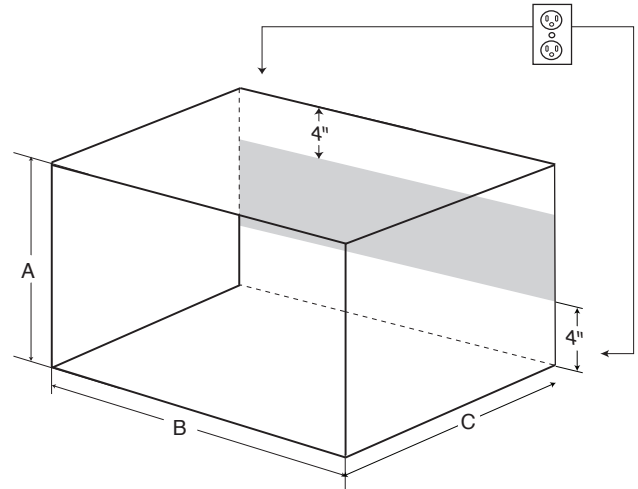
The opening in the wall or cabinet must be within the following dimensions:

Model	Cut Out		Minimum
	Height (A)	Width (B)	Depth (C)
RK-48S27 RK-48S30	16"	25 1/8" to 25 3/8"	20"
RK-52S27 RK-52S30	16 1/4"	26 1/8" to 26 3/8"	20"

Outlet should **NOT** be in the shaded area as indicated on Sketch 1.

## NOTES

- If the dimension of DEPTH (C) is more than 21", the outlet location may be any area on the rear wall.
- The floor of the opening should be constructed of plywood strong enough to support the weight of the oven and floor load (about 100 pounds). The floor should be level for proper operation of the oven. Be sure to check the local building code as it may require that the opening be enclosed with sides, ceiling and rear partition. The proper functioning of the oven does not require the enclosure.



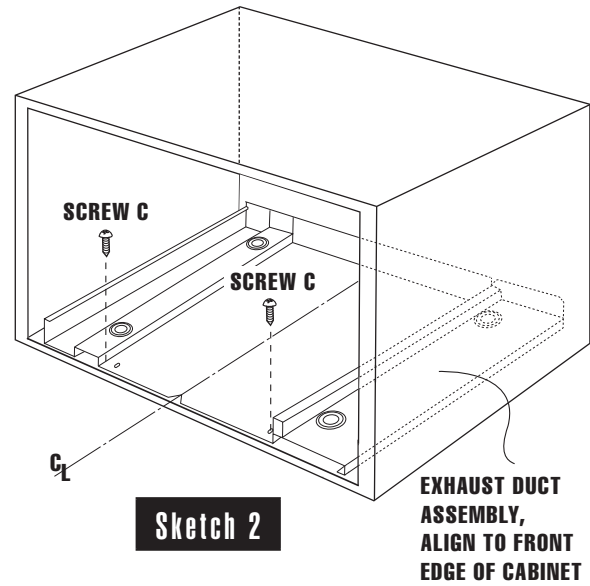
**Sketch 1**

## STEP 2

## EXHAUST DUCT ASSEMBLY INSTALLATION

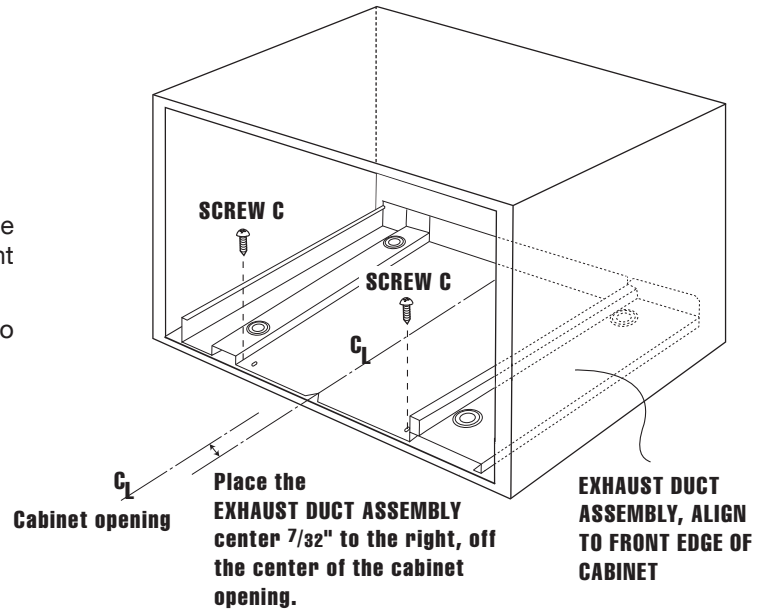
### FOR MODELS: RK-48S27 OR RK-48S30

1. Place the EXHAUST DUCT ASSEMBLY in the center of the opening. Align the front edge of the duct with the front of the cabinet.
2. Secure the EXHAUST DUCT ASSEMBLY with two SCREWS C. See Sketch 2.



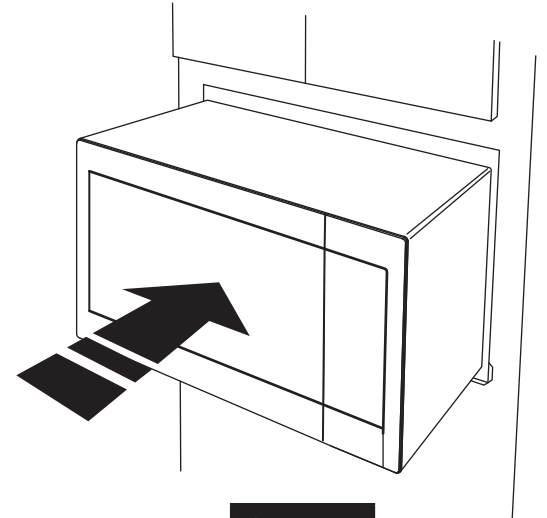
### FOR MODELS: RK-52S27 OR RK-52S30

1. Place the EXHAUST DUCT ASSEMBLY center  $\frac{7}{32}$ " to the right, off the center of the cabinet opening. Align the front edge of the duct with the front of the cabinet.
2. Secure the EXHAUST DUCT ASSEMBLY with two SCREWS C. See Sketch 2.

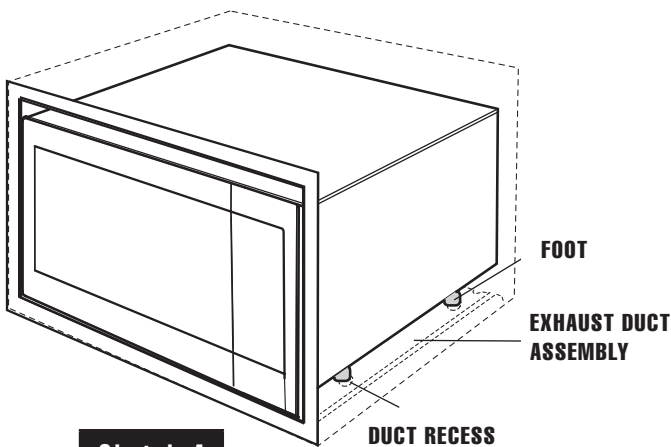


## STEP 3 | FRAME INSTALLATION

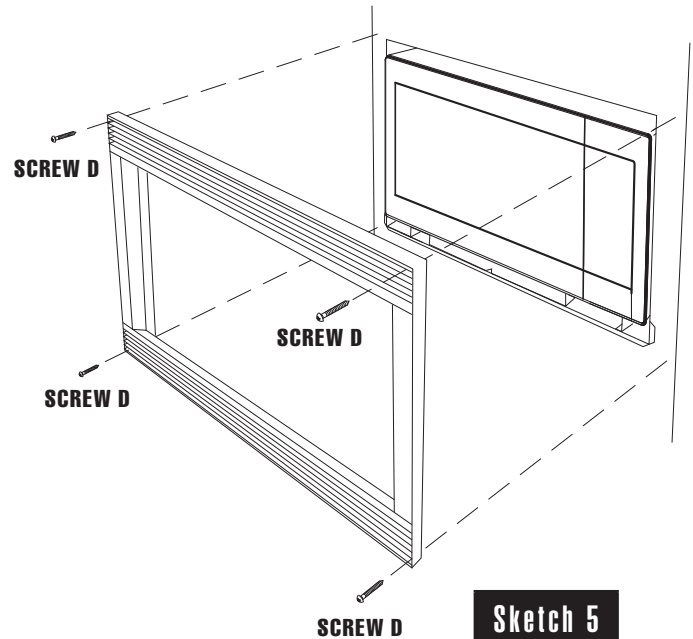
1. Place the oven adjacent to the wall or cabinet opening. Plug the POWER CORD into the electrical outlet.
2. Carefully guide the assembled oven into the prepared opening. Slide the oven on the EXHAUST DUCT ASSEMBLY. See Sketch 3. Avoid pinching the cord between the oven and the wall. Adjust the position of the oven so that the feet of the oven are fitted into the recesses of the EXHAUST DUCT ASSEMBLY and door will open properly. See Sketch 4.
3. Position the Frame Assembly to be square with the oven. Carefully place the FRAME ASSEMBLY on the oven. Place frame into position. See note for specific model for placement under Sketch 5. Check that it is level and then secure with two SCREWS D.
4. Secure the bottom portion of the Frame Assembly with the two remaining SCREWS D. See Sketch 5.



Sketch 3



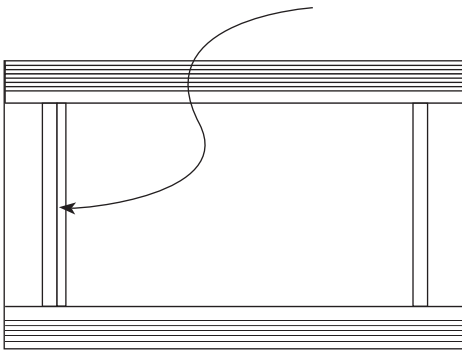
Sketch 4



Sketch 5

### NOTE FOR FRAME PLACEMENT SKETCH 5

- Model RK-48S27 or RK-48S30 : Align the frame centered to the oven.
- Model RK-52S27 or RK-52S30 : Align the frame off the right side of the oven. Folded return is on left side for this frame.



# SHARP®

SHARP ELECTRONICS CORPORATION  
Sharp Plaza, Mahwah, New Jersey 07495-1163

For any other assistance or information about this kit,  
please call Sharp's Customer Assistance Center at  
1-800-BE-SHARP (1-800-237-4277)

TINSEB534MRR0