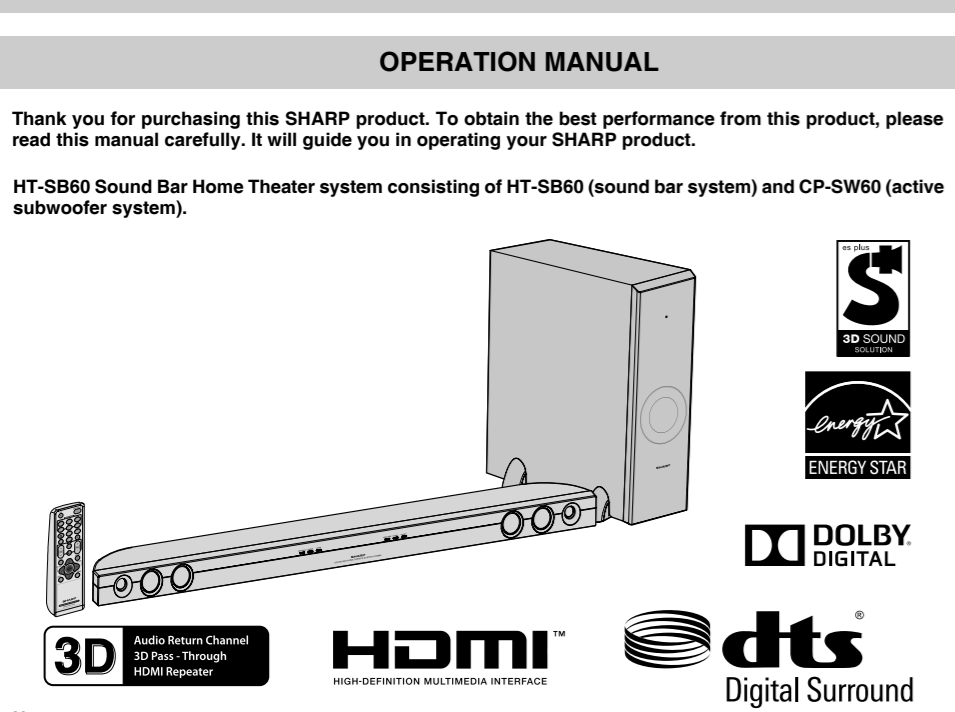


Thank you for purchasing this SHARP product. To obtain the best performance from this product, please read this manual carefully. It will guide you in operating your SHARP product.



HT-SB60 Sound Bar Home Theater system consisting of HT-SB60 (sound bar system) and CP-SW60 (active subwoofer system).

- Accessories: Remote Control (RHSJCA27AW3), Subwoofer Stand x 2 (GTAU022AW1), Audio Cable x 1 (OCNWCA080AW2), HDMI Cable x 1 (OCNWCA071AW2), Wall Mount Angle x 2 (LANGK167AW1), Pattern Paper (TCUJH031AWZ).

NOTE: This product is recommended for flat panel TV (LED, LCD and plasma).

SHARP CORPORATION Printed in Malaysia 120 R AS ①

Precautions: General. Please ensure that the equipment is positioned in a well-ventilated area and ensure that there is at least 4" (10 cm) of free space along the sides, top and back of the equipment.

Warnings: The voltage used must be the same as that specified on this unit. Using this product with a higher voltage other than that which is specified is dangerous and may result in a fire or other type of accident causing damage.

Controls and indicators: Display. 1. Dolby Digital Indicator, 2. DTS Indicator, 3. Muting Indicator. Subwoofer. 1. Power/Pairing Indicator, 2. Bass Relief Duct, 3. Woofer, 4. Pairing Button, 5. AC Power Cord.

Sound Bar Front Panel. 1. Left Channel Speakers, 2. Right Channel Speakers, 3. On/Stand-by Button, 4. SOURCE Button, 5. Pairing Button, 6. Remote Sensor, 7. Demo Indicator, 8. Sound Mode Button, 9. Volume Down Button, 10. Volume Up Button.

Placing the system. Installation image showing the sound bar and subwoofer placement relative to a TV.

System connections: Make sure to unplug the AC power cord before making any connections. Diagrams for connecting to TV ARC and non-ARC terminals.

Audio connections to TVs, DVD players, VCRs, etc. Other connection (without HDMI). Diagrams for connecting to audio output terminals and optical digital audio.

Remote control: Remote control installation. 1. Open the battery cover, 2. Insert the batteries according to the direction indicated in the battery compartment.

General control: Turn on the power. Press the ON/STAND-BY button on the sound bar or the remote control. Press the ON/STAND-BY button again on the main unit or the remote control and the subwoofer indicator turns red.

General control (continued): Muting. The volume is muted temporarily when pressing the (MUTE) button on the remote control. Press again to restore the volume.

General control (continued): AV SYNC level control. The AV SYNC level can be adjusted. Press the button, then press the VOL +/- buttons to adjust.

General control (continued): Speaker output selection (HDMI connection). Press and hold the (MUTE) button on the remote control until "SPEAKER" or "SBSPEAKER" appears on the display.

General control (continued): Bass and Treble Control. Bass and Treble control is applicable during BYPASS mode only. Press the BASS button to increase bass and the TREBLE button to increase treble.

General control (continued): Display brightness control. Press the DIMMER button to adjust the brightness of the display. Press the DIMMER button again to return to normal.

General control (continued): Volume auto fade-in. If you turn off and on the sound bar with the volume set to 80 or higher, the volume starts at 40 and fades in to the last set level.

General control (continued): Subwoofer level control. The subwoofer level can be adjusted. Press the SUBWOOFER +/- button to increase or decrease the level.

General control (continued): Volume control. Press the VOLUME +/- button to increase the volume and the VOL - button to decrease the volume.

Special Notes

CAUTION: TO REDUCE THE RISK OF ELECTRIC SHOCK, DO NOT REMOVE COVER (OR BACK). NO USER-SERVICEABLE PARTS INSIDE. REFER SERVICING TO QUALIFIED SERVICE PERSONNEL. Explanation of Graphical Symbols: The lightning flash with arrowhead symbol within an equilateral triangle is intended to alert the user to the presence of uninsulated 'dangerous voltage' within the product's enclosure that may be of sufficient magnitude to constitute a risk of electric shock to persons.

WARNING: TO REDUCE THE RISK OF FIRE OR ELECTRIC SHOCK, DO NOT EXPOSE THIS APPLIANCE TO RAIN OR MOISTURE. For your assistance in reporting this unit in case of loss or theft, please record below the model number and serial number which are located on the rear of the unit.

ENERGY STAR Program Information. Products that have earned the ENERGY STAR are designed to protect the environment through superior energy efficiency. ENERGY STAR is a U.S. registered mark.

NOTE: This equipment has been tested and found to comply with the limits for a Class B digital device, pursuant to Part 15 of the FCC Rules. It must not be co-located or operating in conjunction with any other antenna or transmitter.

HDMI, the HDMI Logo, and High-Definition Multimedia Interface are trademarks of HDMI Licensing LLC in the United States and other countries.

E-1

Important Safety Instructions

- 1. Electricity is used to perform many useful functions, but it can also cause personal injuries and property damage if improperly handled. This product has been engineered and manufactured with the highest priority on safety. Improper use can result in electric shock and/or fire. In order to prevent injury or damage, please observe the following instructions when installing, operating and cleaning the product. Do not refer servicing to qualified service of this product, please read the following precautions carefully before use. 1) Read these instructions. 2) Keep these instructions. 3) Heed all warnings. 4) Follow all instructions. 5) Do not use this apparatus near water. 6) Clean only with dry cloth. 7) Do not block any ventilation openings. Install in accordance with the manufacturer's instructions. 8) Do not install near any heat sources such as radiators, heat registers, stoves, or other apparatus (including Amplifiers) that produce heat. 9) Do not defeat the safety purpose of the polarized or grounding-type plug. A polarized plug has two blades with one wider than the other. A grounding-type plug has two blades and a third grounding prong. The wide blade or the third prong provides for your safety. If the provided plug does not fit into your outlet, consult an electrician for replacement of the outlet safety.

Additional Safety Information: 1) Unplug this apparatus during lightning storms or when unused for long periods of time. 2) Refer all servicing to qualified service personnel. Servicing is required when the apparatus has been damaged in any way, such as power-supply cord or plug is damaged, liquid has been spilled or objects have fallen into the apparatus, the apparatus has been exposed to rain or moisture, does not operate normally, or has been dropped.

E-2

For U.S. customer only

CONSUMER LIMITED WARRANTY. SHARP ELECTRONICS CORPORATION warrants to the first consumer purchaser that this Sharp brand product (the "Product"), when shipped in its original container, will be free from defective workmanship and materials, and agrees that it will, at its option, either repair or replace the defective Product or a new or remanufactured equivalent at no charge to the purchaser for parts or labor for the period set forth below.

Warranty Period for this Product: 1 Year parts and labor from the date of purchase. Additional items Excluded from Warranty Coverage (if any): Non-functional accessories, supplies, and consumable items.

TO OBTAIN SUPPLY, ACCESSORY OR PRODUCT INFORMATION, CALL 1-800-BE-SHARP. SHARP ELECTRONICS CORPORATION Sharp Plaza, Malvern, New Jersey 07648-1103

E-3

Controls and indicators (continued)

Subwoofer. FRONT VIEW. REAR VIEW. 1. Power/Pairing Indicator, 2. Bass Relief Duct, 3. Woofer, 4. Pairing Button, 5. AC Power Cord.

Reference page: 1. Power/Pairing Indicator... 11, 2. Bass Relief Duct... 11, 3. Woofer... 11, 4. Pairing Button... 11, 5. AC Power Cord... 8.

E-4

Controls and indicators (continued)

Remote Control. 1. Remote Control Transmitter, 2. TV ARC Button, 3. Music (Sound Mode) Button, 4. Cinema (Sound Mode) Button, 5. Sport (Sound Mode) Button, 6. SOURCE Button, 7. 3D AUDIO Button, 8. ARC Button, 9. TV Operation Button, 10. AV SYNC Down Button, 11. Night (Sound Mode) Button, 12. Dimmer Button, 13. Demo Button, 14. AV SYNC Up Button, 15. Volume Up Button, 16. Subwoofer Level Up Button, 17. Treble Button, 18. Bass Button, 19. MUTE/SPK. OUT Selection, 20. On/Stand-by Button, 21. TV ARC Button, 22. Music (Sound Mode) Button, 23. Cinema (Sound Mode) Button, 24. Sport (Sound Mode) Button, 25. SOURCE Button, 26. 3D AUDIO Button, 27. ARC Button, 28. TV Operation Button, 29. AV SYNC Down Button, 30. Night (Sound Mode) Button, 31. Dimmer Button, 32. Demo Button, 33. AV SYNC Up Button, 34. Volume Up Button, 35. Subwoofer Level Up Button, 36. Treble Button, 37. Bass Button, 38. MUTE/SPK. OUT Selection.

Reference page: 1. Remote Control Transmitter... 11, 2. TV ARC Button... 9, 13, 3. Music (Sound Mode) Button... 12, 4. Cinema (Sound Mode) Button... 12, 5. Sport (Sound Mode) Button... 12, 6. SOURCE Button... 11, 8, 13, 7. 3D AUDIO Button... 13, 8. ARC Button... 13, 9. TV Operation Button... 13, 10. AV SYNC Down Button... 13, 11. Night (Sound Mode) Button... 12, 12. Dimmer Button... 12, 13. Demo Button... 11, 14. AV SYNC Up Button... 13, 15. Volume Up Button... 12, 16. Subwoofer Level Up Button... 12, 17. Treble Button... 12, 18. Bass Button... 12, 19. MUTE/SPK. OUT Selection... 12, 20. On/Stand-by Button... 11, 21. TV ARC Button... 9, 13, 22. Music (Sound Mode) Button... 12, 23. Cinema (Sound Mode) Button... 12, 24. Sport (Sound Mode) Button... 12, 25. SOURCE Button... 11, 8, 13, 26. 3D AUDIO Button... 13, 27. ARC Button... 13, 28. TV Operation Button... 13, 29. AV SYNC Down Button... 13, 30. Night (Sound Mode) Button... 12, 31. Dimmer Button... 12, 32. Demo Button... 11, 33. AV SYNC Up Button... 13, 34. Volume Up Button... 12, 35. Subwoofer Level Up Button... 12, 36. Treble Button... 12, 37. Bass Button... 12, 38. MUTE/SPK. OUT Selection... 12, 39. On/Stand-by Button... 11.

TV Operation Buttons (Only SHARP TV): On/Stand-by Sets the TV to On/Stand-by. Input Select Presses the Input Select button to switch the input source. Channel Up and Down Buttons Switch up/down the TV channels. Volume Up and Down Buttons Turn up/down the TV volume.

Note: Some models of SHARP TV may not be operable. E-5

Sound bar preparation

To mount the sound bar on the wall. Caution: Be very careful to prevent the sound bar (7.92 lbs. (3.6 kg)) from falling when mounting on the wall. Before mounting, check the wall strength. Do not put on the weaker plaster or whitewashed wall. The sound bar may fall if it is insecure, consult a qualified service technician.

Driving screws. SHARP designed the sound bar so you may hang them on the wall. Use proper screws (not supplied). See below for size and type.

Fixing wall mount angle (Horizontal position). 1. Fix the pattern paper to the wall in horizontal position as below. 2. Make a hole on the wall following the screw point marks on the pattern paper by using a drill.

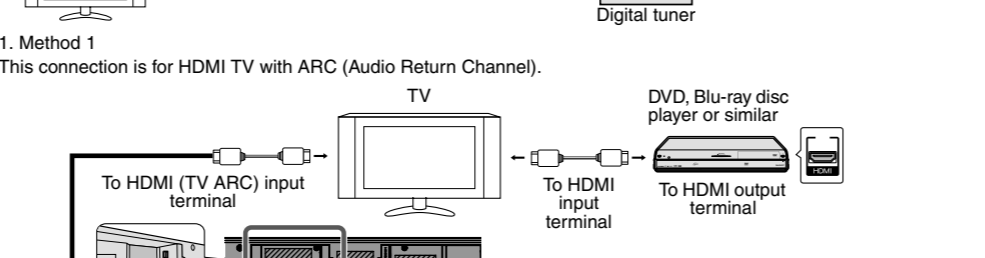
Fix a wall mount plug (not supplied) into the hole using a hammer, until it is flush with the wall surface. Loop the safety wires (not supplied) into each hole as shown and tie the safety wires to the LCD TV stand.

E-6

E-7

System connections (continued)

HDMI Connection. Caution: Turn off all other equipment before making this connection. The illustration below shows the flows of the signals.



Method 1: This connection is for HDMI TV with ARC (Audio Return Channel). Method 2: This connection is for HDMI TV without ARC (Audio Return Channel).

To select HDMI 1, 2 or TV ARC function (Source): Press SOURCE button repeatedly until "HDMI 1", "HDMI 2" or "TV ARC" appears on the display, or press TV ARC button on the remote control to select the TV ARC.

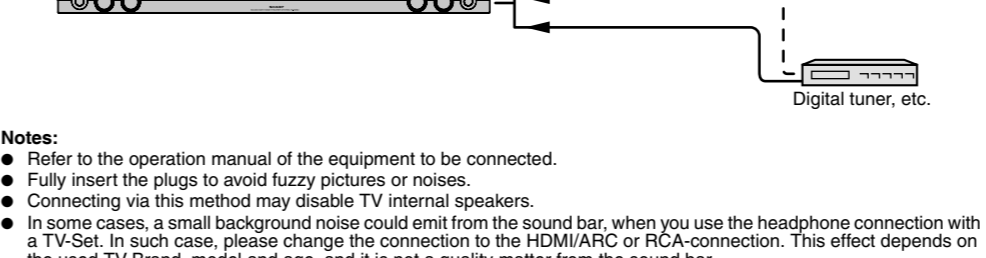
Notes: This sound bar supports HDMI that enables ARC (Audio Return Channel). To enable ARC, make sure to use High Speed HDMI™ cable (with ARC). This ARC feature requires TV that supports ARC. Refer to the operation manual of the TV to determine which terminal supports ARC.

To select OPTICAL function: Press SOURCE button repeatedly until "OPTICAL" appears on the display. To select AUDIO IN function: Press SOURCE button repeatedly until "AUDIO IN" appears on the display.

E-8

Audio connections to TVs, DVD players, VCRs, etc.

Other connection (without HDMI). The illustration below shows the flows of audio and video signals.



Notes: Refer to the operation manual of the equipment to be connected. Fully insert the plugs to avoid fuzzy pictures or noises. Connecting via this method may disable TV internal speakers.

Connecting a TV, or DVD player, etc. Connect to the TV using an optical digital cable or an audio cable.

To select OPTICAL function: Press SOURCE button repeatedly until "OPTICAL" appears on the display. To select AUDIO IN function: Press SOURCE button repeatedly until "AUDIO IN" appears on the display.

E-9

Troubleshooting chart

Many potential problems can be resolved by the owner without calling a service technician. If something is wrong with this product, check the following before calling your authorized SHARP dealer or service center.

Table with columns: Symptom, Possible cause, Remote control, Condensation. Includes symptoms like 'No sound is heard', 'The remote control does not operate properly', and 'The sound bar cannot be turned on with the remote control'.

If a problem occurs, do the following: 1. Turn the power off. 2. Wait for 5 minutes. 3. Turn the power on. 4. Press the ON/STAND-BY button on the remote control.

Factory reset, clearing all memory. Make sure to disconnect all output and input cables attached to the sound bar before performing the factory reset.

E-10

Remote control

Remote control installation. Use 1 "AA" size battery (UM5UM-3, R6, HP-7 or similar). Batteries are not included.

Open the battery cover. Insert the batteries according to the direction indicated in the battery compartment.

Caution: Remove the battery if the sound bar will not be used for a long period of time. This will prevent potential damage due to battery leakage.

Notes concerning use: Replace the battery if the operating distance is reduced or if the operation becomes erratic. Periodically clean the transmitter on the remote control and the sensor on the sound bar with a soft cloth.

Test of the remote control. Point the remote control directly at the remote sensor on the sound bar. The remote control can be used within the range shown below.

E-11

Maintenance

Cleaning the cabinet. Periodically wipe the cabinet with a soft cloth. Do not use chemicals for cleaning (gasoline, paint thinner, etc.). It may damage the cabinet finish.

Error indicators and warnings. When you fail to perform operations properly, the following messages are displayed on the sound bar.

Table with columns: Display, Meaning. Includes error codes like ERROR1, ERROR2, ERROR3, ERROR4.

Specifications. Power source: AC 120 V - 60 Hz. Power consumption: 38 W. Dimension: Width: 54.1" (1385 mm), Height: 2.78" (72 mm), Depth: 2.11" (54 mm).

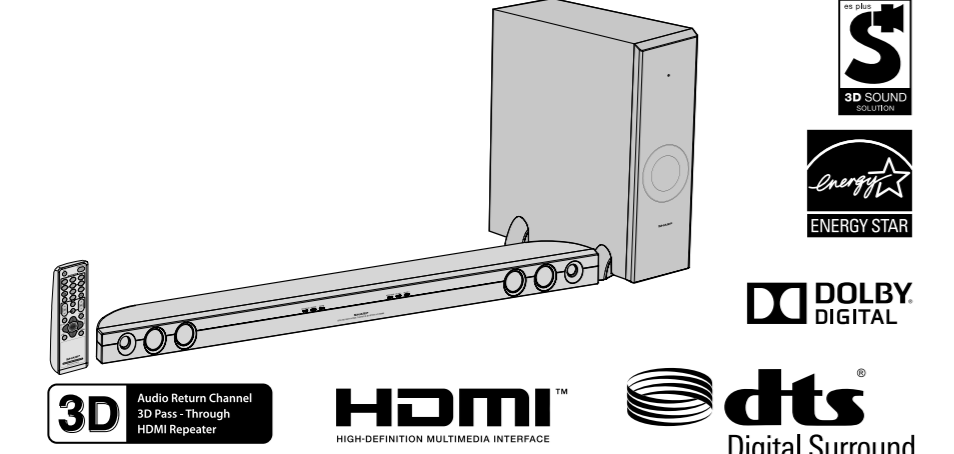
E-12

MODELO HT-SB60 BARRA DE SONIDO DEL SISTEMA DE CINE EN CASA

MANUAL DE MANEJO

Muchas gracias por haber adquirido este producto SHARP. Lea atentamente este manual para conseguir el mejor rendimiento del aparato. Le servirá también como guía operativa de este producto SHARP.

Sistema de cine en el hogar con barra de sonido HT-SB60 que consiste en HT-SB60 (Sistema de barra de sonido) y CP-SW60 (sistema de subwoofer activo).



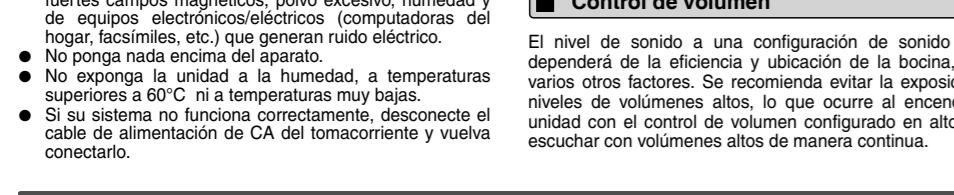
- Accesorios: Controlador Remoto (RMCA02A7WVA), Bateria de alcalinas AA (LR6), Cable para audio x 1 (CNCWGA09A7W1), Cable para HDMI x 2 (CNCWGA07A7W2), Papel con patrón (TCUAHQ03TAWZ).

Nota: Se recomienda usar este producto en televisores de pantalla plana (LED, LCD y plasma).

Verifique que sólo estén incluidos los accesorios siguientes.

Precautión

- General: No exponga el equipo a la lluvia o a la humedad. Mantenga el aparato apartado de la luz directa del sol. No ponga nada encima del aparato. No exponga la unidad a la humedad. Si su sistema se unifica correctamente, desconecte el cable de alimentación de CA del tomacorriente y vuelva a conectarlo.



Controles e indicadores

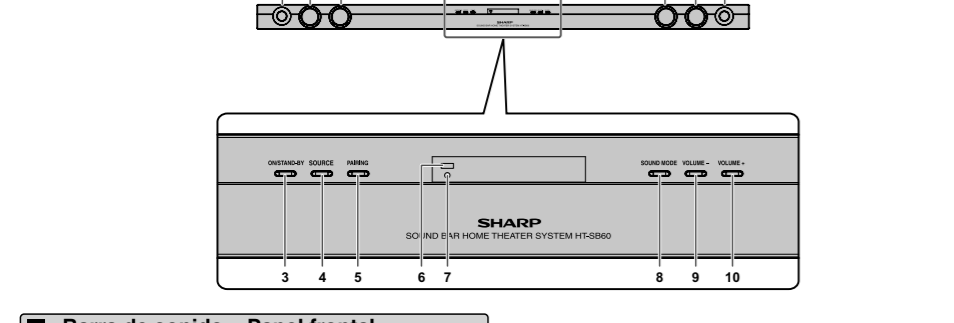
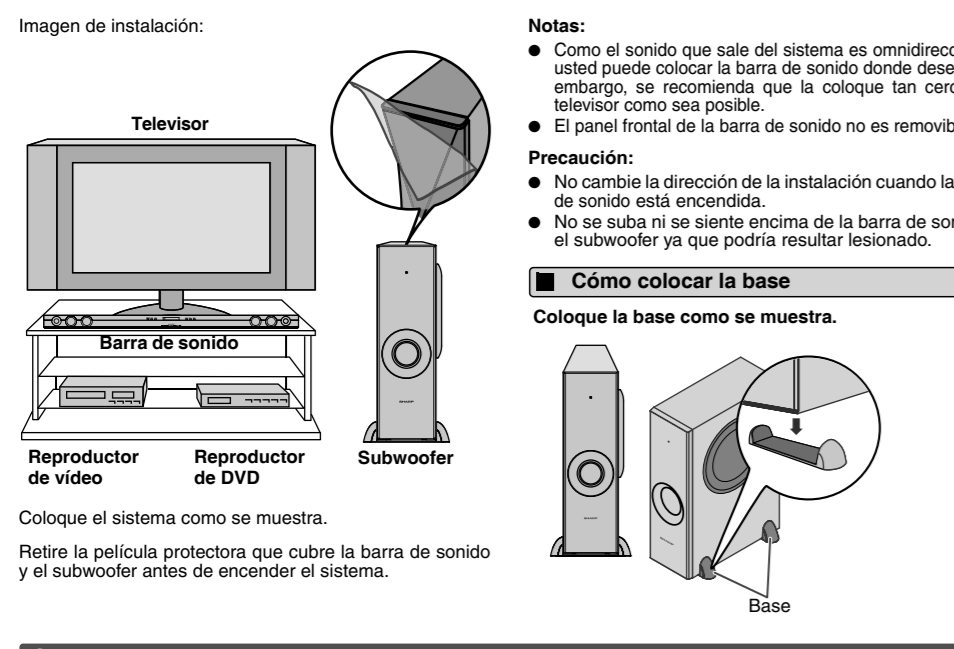
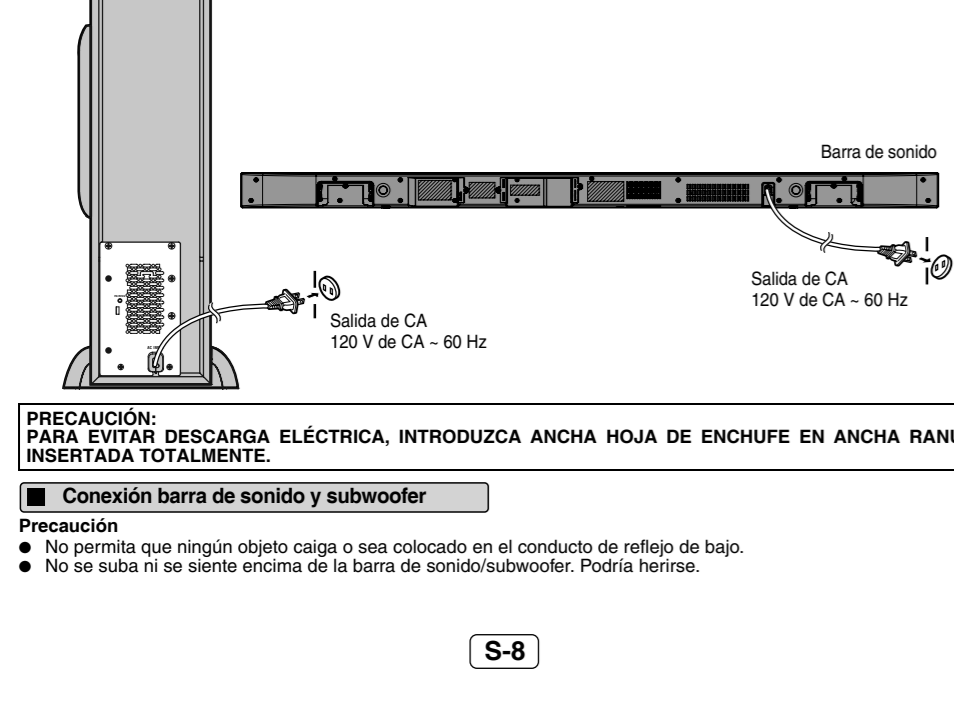


Table with 2 columns: Control name and page reference. Includes items like Bocinas de canal izquierda, Botón de modo de sonido, etc.

Colocación de la sistema



Conexiones del sistema



Control general (continuación)

- Desactivación de sonido: El volumen se silenciará temporalmente cuando se pulse el botón de (MUTE) en el control remoto. Funcionamiento de la barra de sonido: Pulse el botón SOURCE en el control remoto para seleccionar el modo de sonido deseado.

Control general (continuación)

- Nivel de control de AV SYNC: El nivel de AV SYNC puede ajustarse. Selección de salida de bocinas (Conexión HDMI): Pulse y mantenga pulsado el botón de (MUTE) en el control remoto para seleccionar la salida de bocinas.

Control general (continuación)

- Control de brillo de pantalla: Pulse el botón DIMMER para ajustar el brillo de la pantalla. Auto-intensificación de volumen: El nivel del subwoofer puede ajustarse.

Control general (continuación)

- Control de sonidos graves y agudos: El control de sonidos graves y agudos se aplica durante el modo BYPASS solamente. Modo de sonido 3D: La tecnología 3D crea sonidos 3D mediante las bocinas independientes del sistema.

Notas Especiales

CAUTION: PRECAUCIÓN: PARA REDUCIR EL PELIGRO DE DESCARGAS ELÉCTRICAS, NO EXTRAIGA LA CUBIERTA (O PANEL POSTERIOR). EL INTERIOR NO HAY PARTES QUE PUEDA REPARAR EL USUARIO. SOLICITE EL SERVICIO A PERSONAL DE SERVICIO AL CLIENTE.

Declaración de la FCC sobre la Exposición a la Radiación: Este dispositivo cumple con los límites para un dispositivo digital de Clase B, de conformidad con la Parte 15 del Reglamento de la FCC.

Nota al instalador de sistema de Televisión por Cable: Este equipo debe instalarse y operado a una distancia mínima de 20 cm entre el radiador y el cuerpo de una persona.

Información del Programa ENERGY STAR

Los productos que han obtenido a ENERGY STAR se han diseñado para proteger el medio ambiente por medio de una eficiencia energética superior.

Controles e indicadores (continuación)

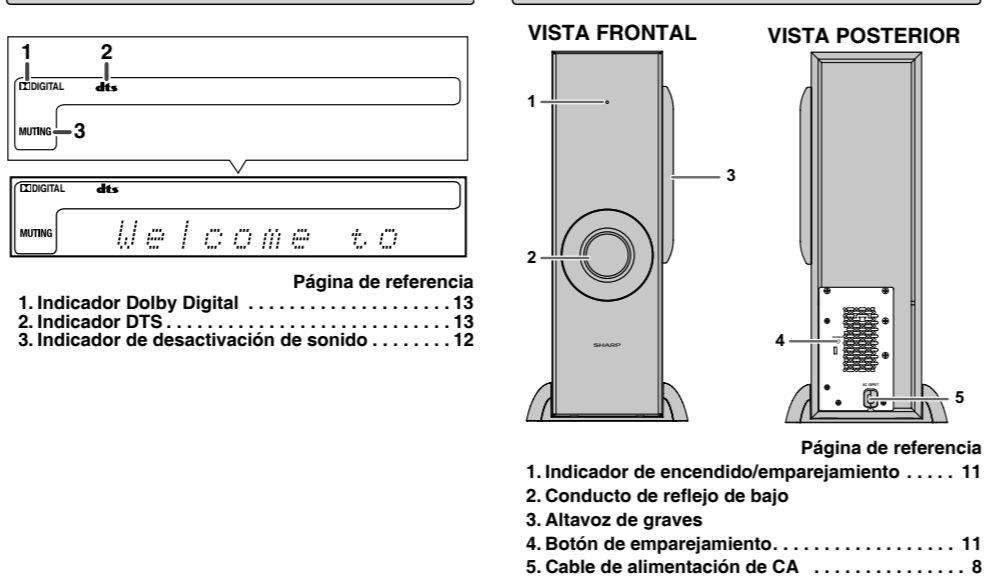


Table with 2 columns: Control name and page reference. Includes items like 1. Indicador Dolby Digital, 2. Indicador DTS, etc.

Panel trasero de la barra de sonido

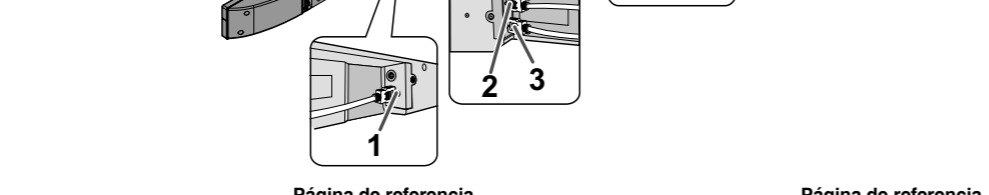
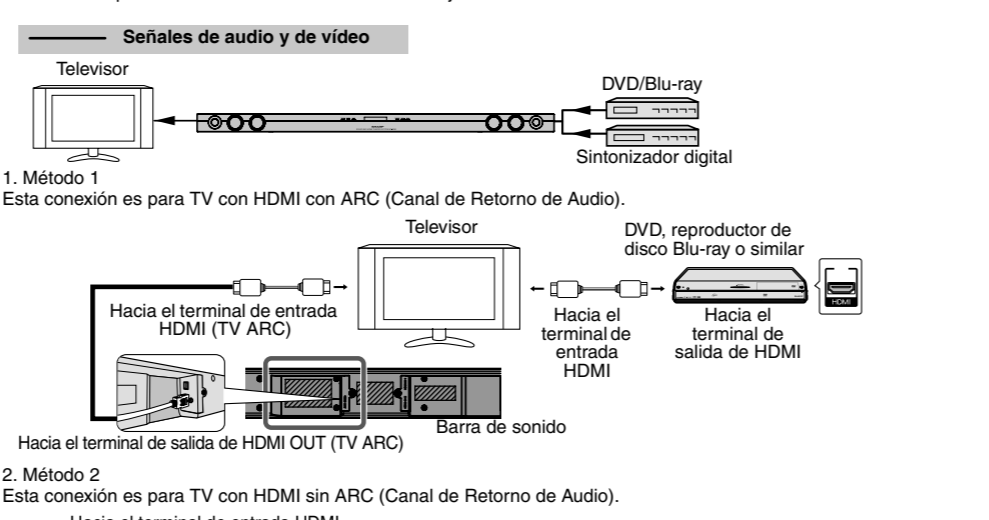


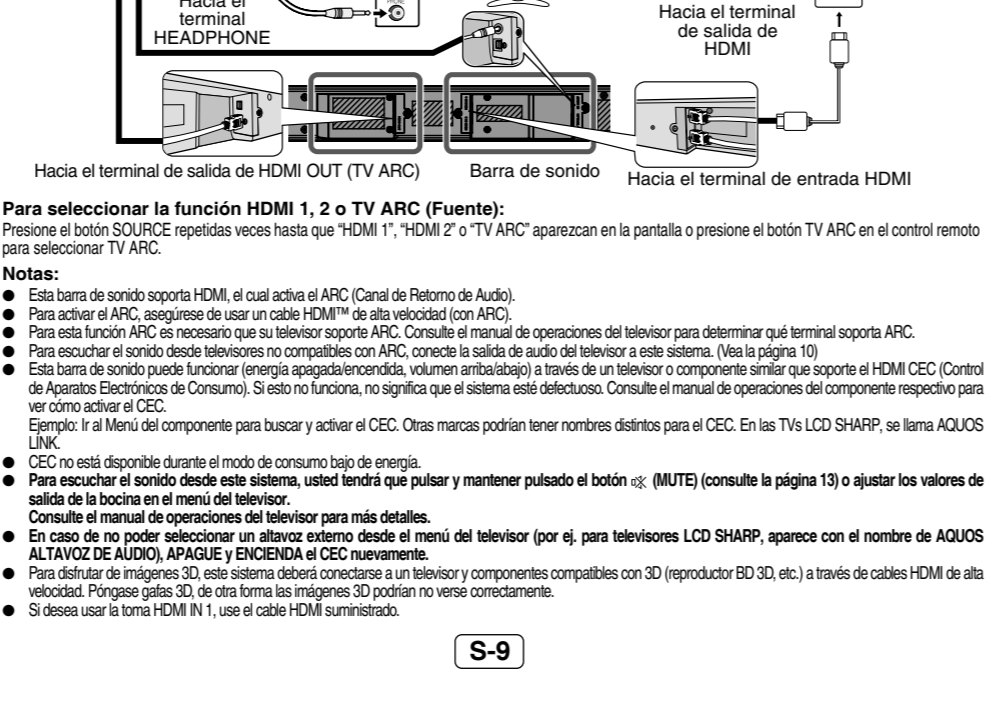
Table with 2 columns: Terminal name and page reference. Includes items like 1. Toma de HDMI OUT (TV ARC), 2. Toma de HDMI IN 1, etc.

Conexiones del sistema (continuación)

Conexión HDMI



Conexión de audio



Control general (continuación)

- Nivel de control de AV SYNC: El nivel de AV SYNC puede ajustarse. Selección de salida de bocinas (Conexión HDMI): Pulse y mantenga pulsado el botón de (MUTE) en el control remoto para seleccionar la salida de bocinas.

Control general (continuación)

- Control de brillo de pantalla: Pulse el botón DIMMER para ajustar el brillo de la pantalla. Auto-intensificación de volumen: El nivel del subwoofer puede ajustarse.

Control general (continuación)

- Control de sonidos graves y agudos: El control de sonidos graves y agudos se aplica durante el modo BYPASS solamente. Modo de sonido 3D: La tecnología 3D crea sonidos 3D mediante las bocinas independientes del sistema.

Control general (continuación)

- Control de sonidos graves y agudos: El control de sonidos graves y agudos se aplica durante el modo BYPASS solamente. Modo de sonido 3D: La tecnología 3D crea sonidos 3D mediante las bocinas independientes del sistema.

Instrucciones de seguridad importantes

- 1. La electricidad se usa para realizar muchas funciones útiles, pero también puede provocar daños personales y daños a la propiedad. Este producto se diseñó para ser utilizado en interiores.

- 2. Este dispositivo debe operar exclusivamente en interiores y no debe utilizarse al aire libre. Este dispositivo debe instalarse y operado a una distancia mínima de 20 cm entre el radiador y el cuerpo de una persona.

Información de Seguridad Adicional

- 1. Fuentes de alimentación - Este producto debe ponerse en funcionamiento usando exclusivamente la fuente de alimentación indicada en la etiqueta de especificaciones.

Controles e indicadores (continuación)

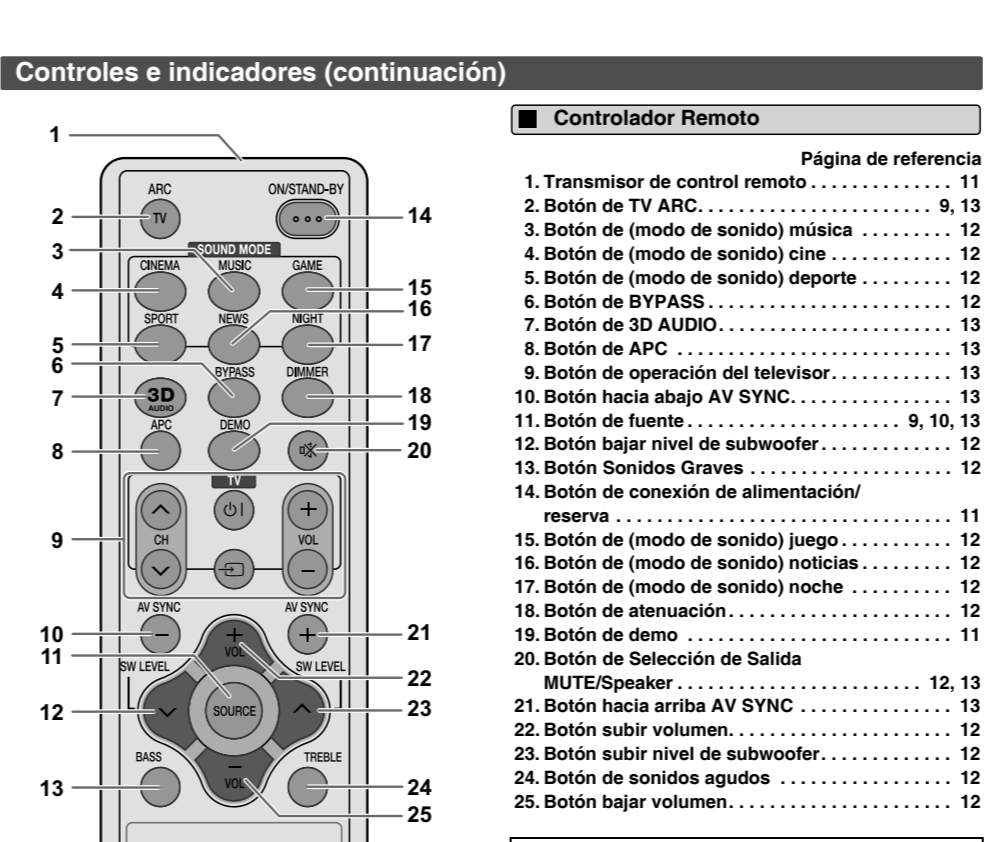
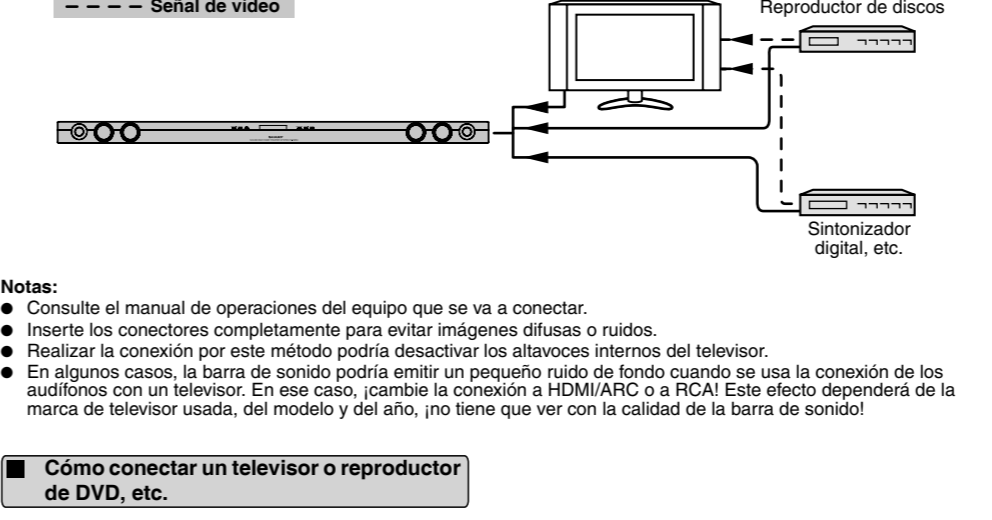


Table with 2 columns: Button name and page reference. Includes items like 1. Transmisor de control remoto, 2. Botón de TV ARC, etc.

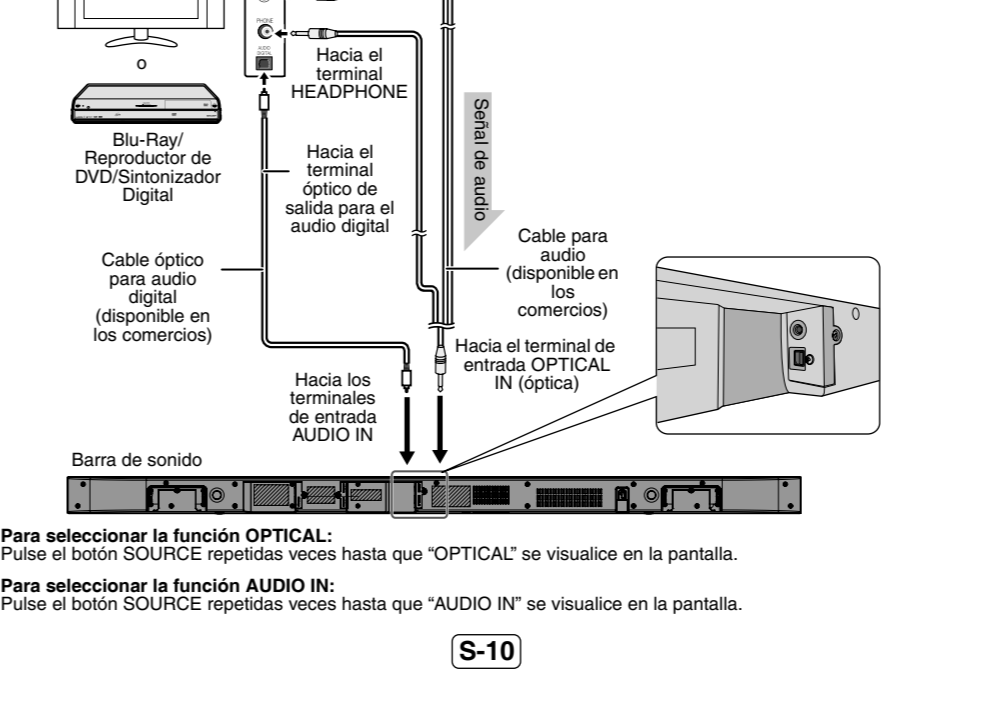
Botones para operar el televisor



Conexiones de audio hacia televisores, reproductores de DVD, reproductores de vídeo, etc.



Controlador remoto



Control general

- Instalación de las pilas: Use una pila del tamaño "AA" (LUMSJM-3, RG, HP-1 o equivalentes). Abra la tapa de las pilas: Inserte las pilas de acuerdo con la dirección indicada en el compartimento de las pilas.

Controlador remoto

- Prueba del controlador remoto: Oriente directamente el control remoto al sensor remoto de la barra de sonido. Señal de error: Si aparece una señal de error, asegurese de que el control remoto esté correctamente alineado con el sensor.

Control general

- Modo de demostración: Cuando se conecta la unidad por primera vez, se enciende en modo de demostración. Para cancelar el modo de demostración, presione el botón DEMO en el control remoto durante el modo de demostración.

Control general

- Modo de demostración: Cuando se conecta la unidad por primera vez, se enciende en modo de demostración. Para cancelar el modo de demostración, presione el botón DEMO en el control remoto durante el modo de demostración.

Sólo para clientes de los EE.UU.

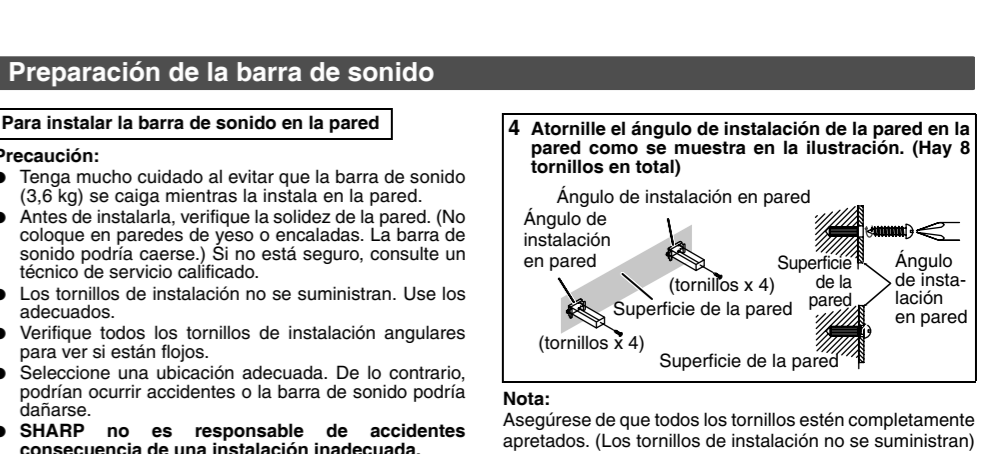
GARANTÍA LIMITADA DEL CONSUMIDOR: SHARP ELECTRONICS CORPORATION garantiza los defectos que compare por primera vez con la marca Sharp de este producto ("Producto").

Esta garantía aplica en el caso de compra original de productos de la marca Sharp en el caso de artículos (reemplazos reducidos) establecidos abajo en el caso de cualquier Producto exterior que se haya dañado o destruido, que haya estado sujeto a un voltaje no autorizado a cualquier uso no autorizado, o que haya estado sujeto a un accidente de construcción que haya alterado o modificado.

Sección específica de AOTD: El número de modelo de su producto y descripción: HT-SB60 Barra de Sonido del Sistema de Cine en Casa.

PARA OBTENER INFORMACIÓN SOBRE SUMINISTROS, ACCESORIOS O PRODUCTO, LLAME 1-800-BE-SHARP. SHARP ELECTRONICS CORPORATION Sharp Plaza, Malvern, New Jersey 07648-1103.

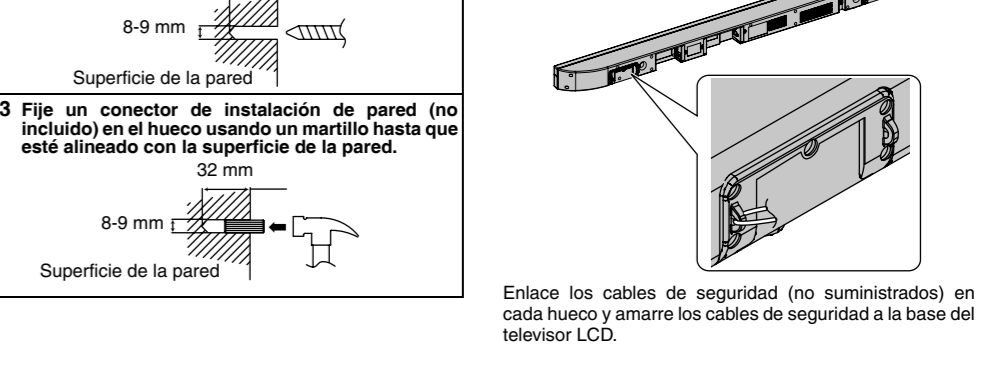
Preparación de la barra de sonido



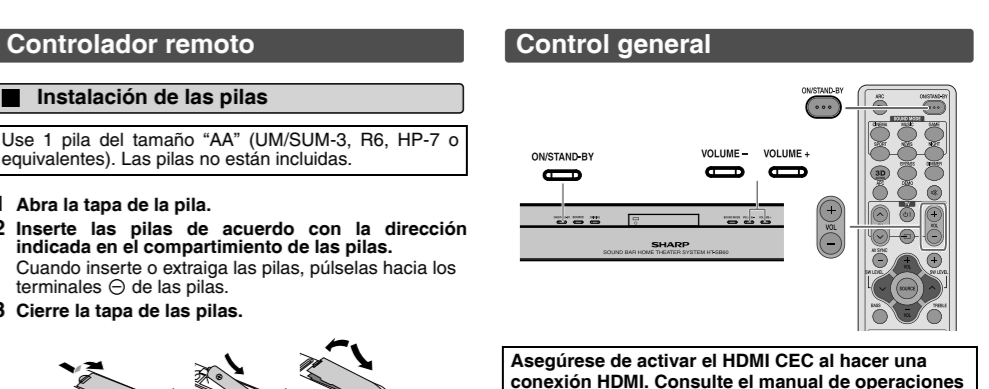
Prevenición de caída



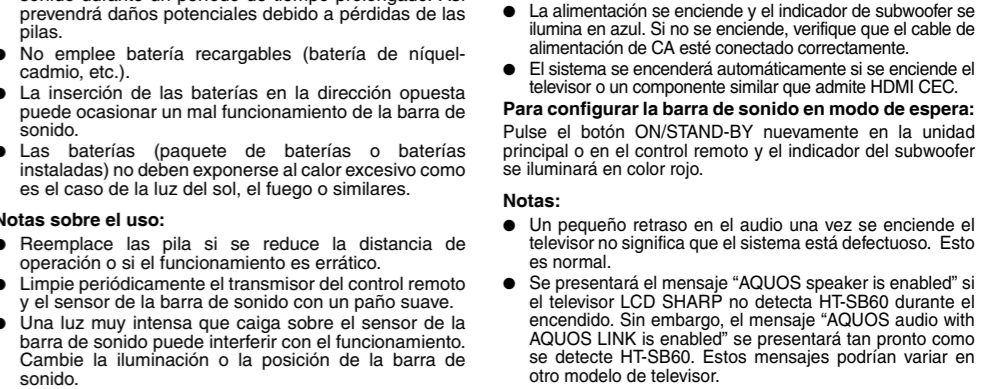
Prevenición de caída



Prevenición de caída



Controlador remoto



Control general

- Modo de demostración: Cuando se conecta la unidad por primera vez, se enciende en modo de demostración. Para cancelar el modo de demostración, presione el botón DEMO en el control remoto durante el modo de demostración.

Control general

- Modo de demostración: Cuando se conecta la unidad por primera vez, se enciende en modo de demostración. Para cancelar el modo de demostración, presione el botón DEMO en el control remoto durante el modo de demostración.

Control general

- Modo de demostración: Cuando se conecta la unidad por primera vez, se enciende en modo de demostración. Para cancelar el modo de demostración, presione el botón DEMO en el control remoto durante el modo de demostración.

Control general

- Modo de demostración: Cuando se conecta la unidad por primera vez, se enciende en modo de demostración. Para cancelar el modo de demostración, presione el botón DEMO en el control remoto durante el modo de demostración.

Control general

- Modo de demostración: Cuando se conecta la unidad por primera vez, se enciende en modo de demostración. Para cancelar el modo de demostración, presione el botón DEMO en el control remoto durante el modo de demostración.