

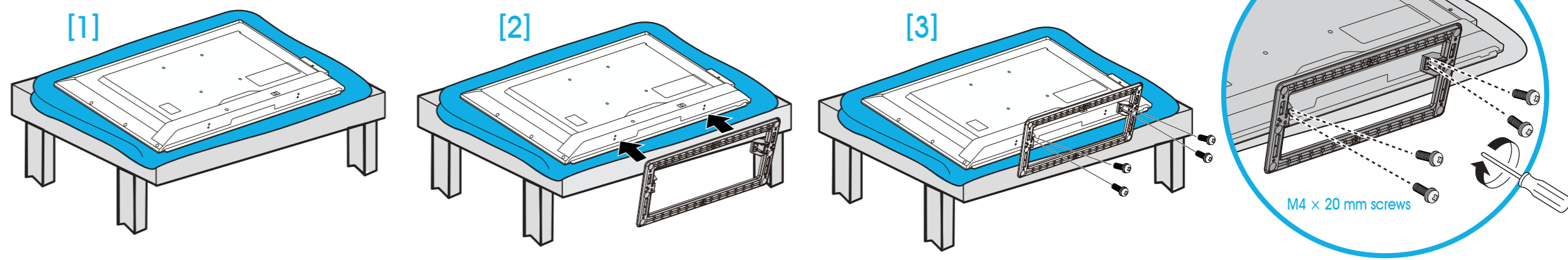
QUICK SETUP GUIDE

1 START HERE

How do I attach the stand to my TV?
(not for wall mounting)

You'll need: Phillips screwdriver and a soft surface to lay the TV on.

- Carefully place your TV face-down on a cushioned, clean surface to protect the screen.
- Insert the TV stand into the TV.
- Secure the TV stand with the four provided screws.

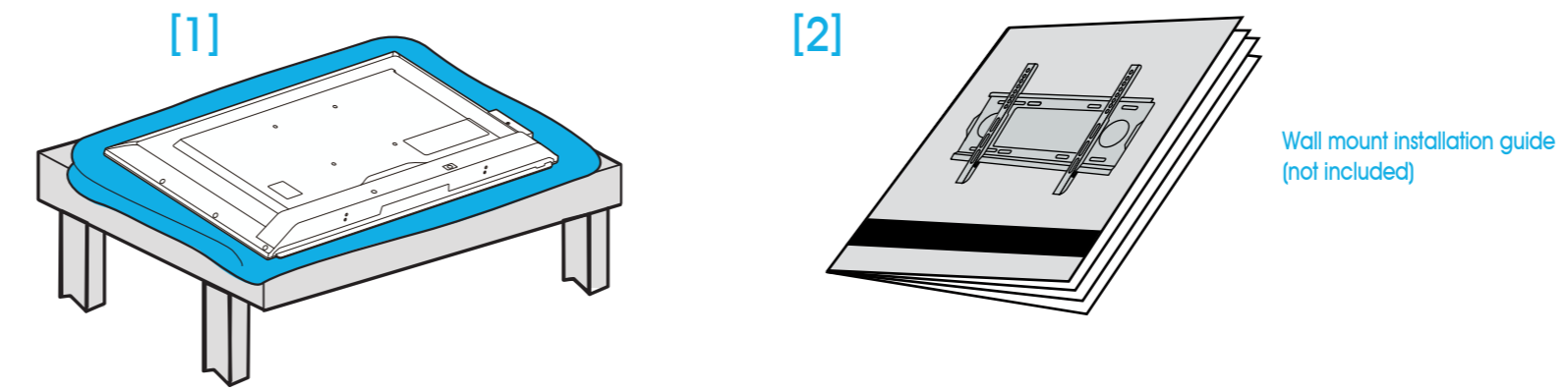


OR

How do I prepare my TV for wall mounting?
(not for use with the TV stand)

You'll need: A soft surface to lay the TV on.

- Carefully place your TV face-down on a cushioned, clean surface to protect the screen.
- See the instructions that came with your wall mount for more information about how to correctly mount your TV.



SHARP®

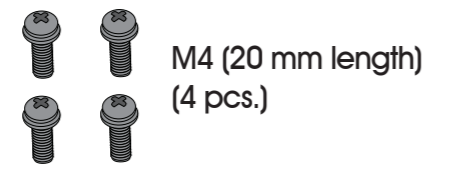
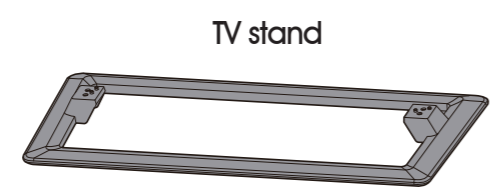
42" LED TV



Roku Ready®
Your TV is certified to work with the Roku Streaming Stick™. Instantly stream 1000+ entertainment channels, including Netflix, Hulu Plus, Pandora, and more. Connect the Streaming Stick (not included) to the purple MHL port on your TV and enjoy.

STOP!
Do not plug your power cord in until all other devices have been connected.

Included accessories



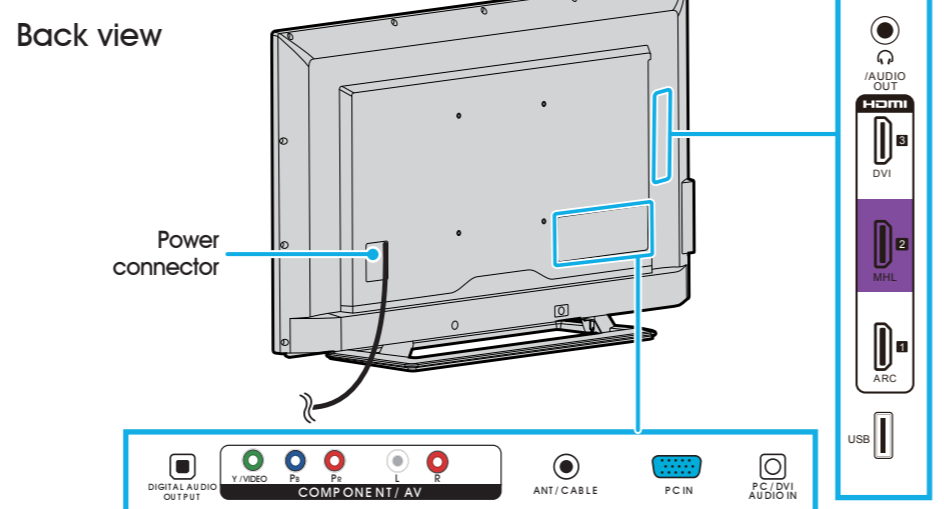
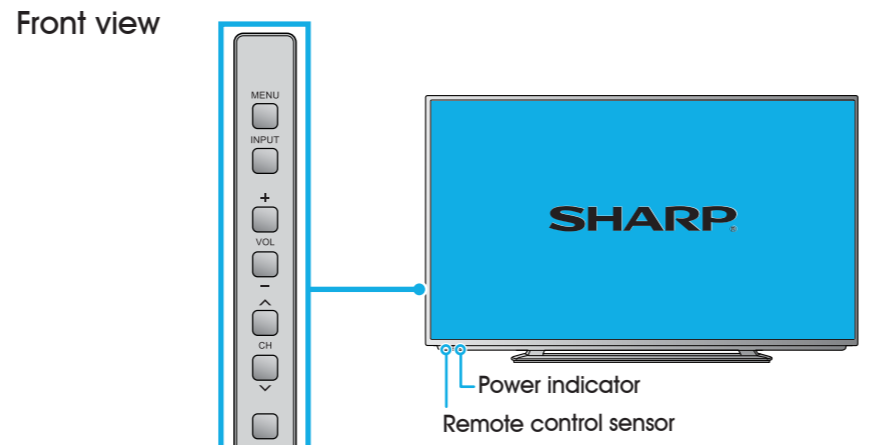
Which cables do you have?

Your TV has several different jacks for connecting devices. For the best video quality, use the best available connection.

VIDEO QUALITY	JACK TYPE	CABLE CONNECTOR
BEST	HDMI video/audio	
BETTER	Component video and analog audio	
GOOD	Composite video and analog audio (AV)	
GOOD	Coaxial video/audio	

Note: You can also connect a DVI device to your TV. See your online User Guide for connection instructions.

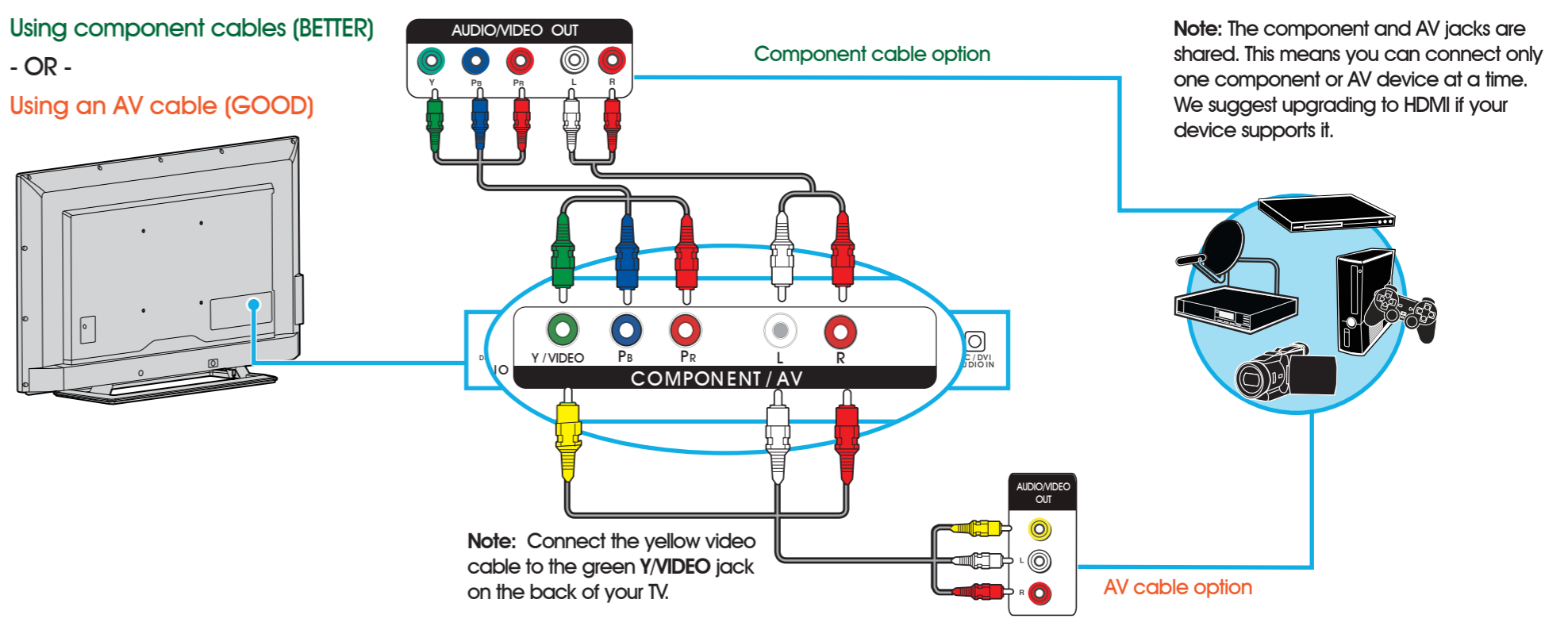
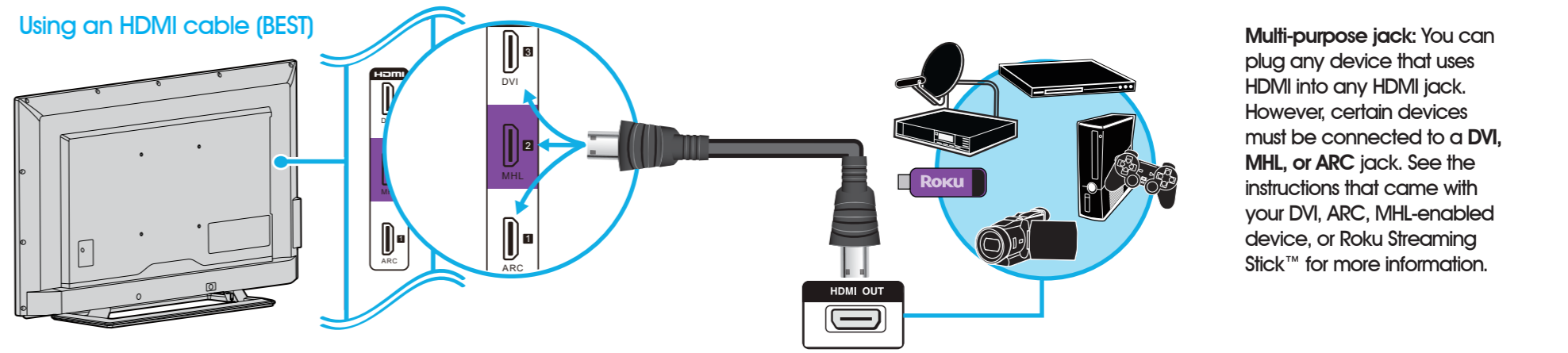
Features



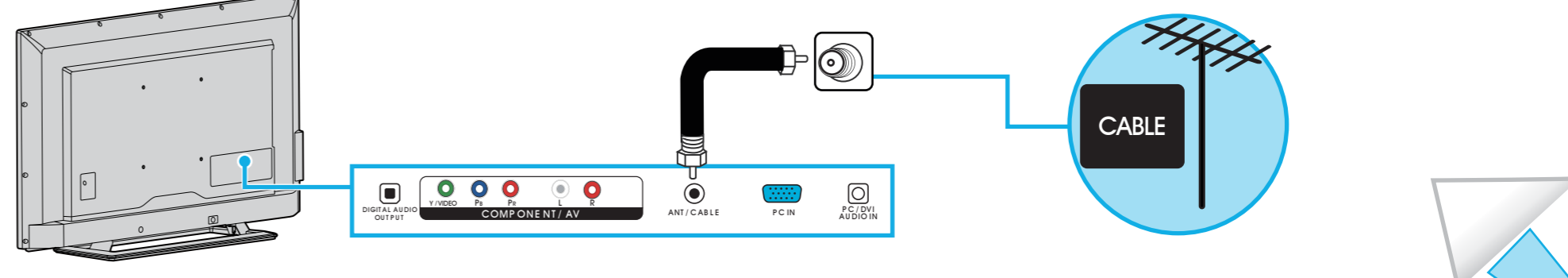
Note: Images do not necessarily represent the exact design of your television.

2 MAKING CONNECTIONS

How do I watch TV (cable or satellite box) or connect a device such as a DVD or Blu-ray Disc player, game console, Roku Streaming Stick™, or MHL-enabled device?



How do I connect my TV to an antenna or cable wall jack?

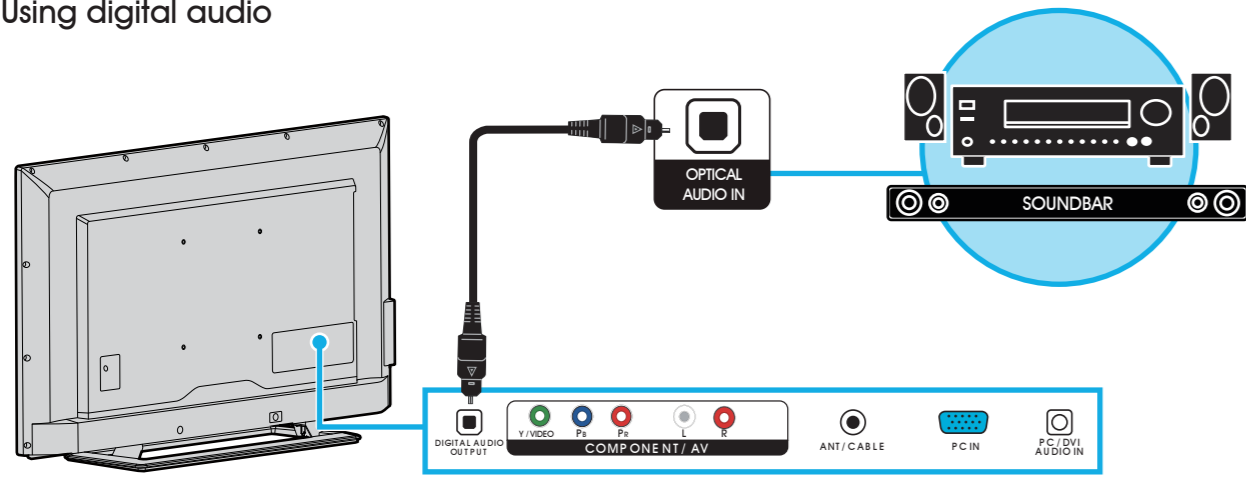


FIND YOUR USER GUIDE ONLINE!
We are going green so a copy of your User Guide is not provided in the box but is available online. Go to www.sharpsusa.com/manuals/hd.aspx. Find your model and select **Download Owner's Manual**. Your online User Guide opens.

3 CONNECTING AUDIO DEVICES

How do I connect my TV to external speakers?

Using digital audio

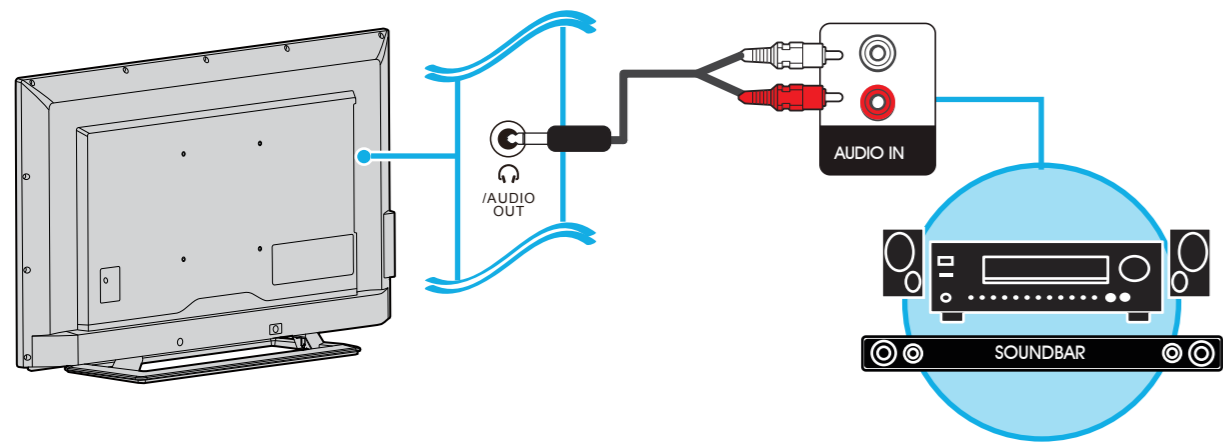


On your TV, set the Digital Audio Out option in the SOUND menu to PCM.

Note: Refer to the instructions that came with your speakers for more information.

OR

Using analog audio



Note: Refer to the instructions that came with your speakers for more information.

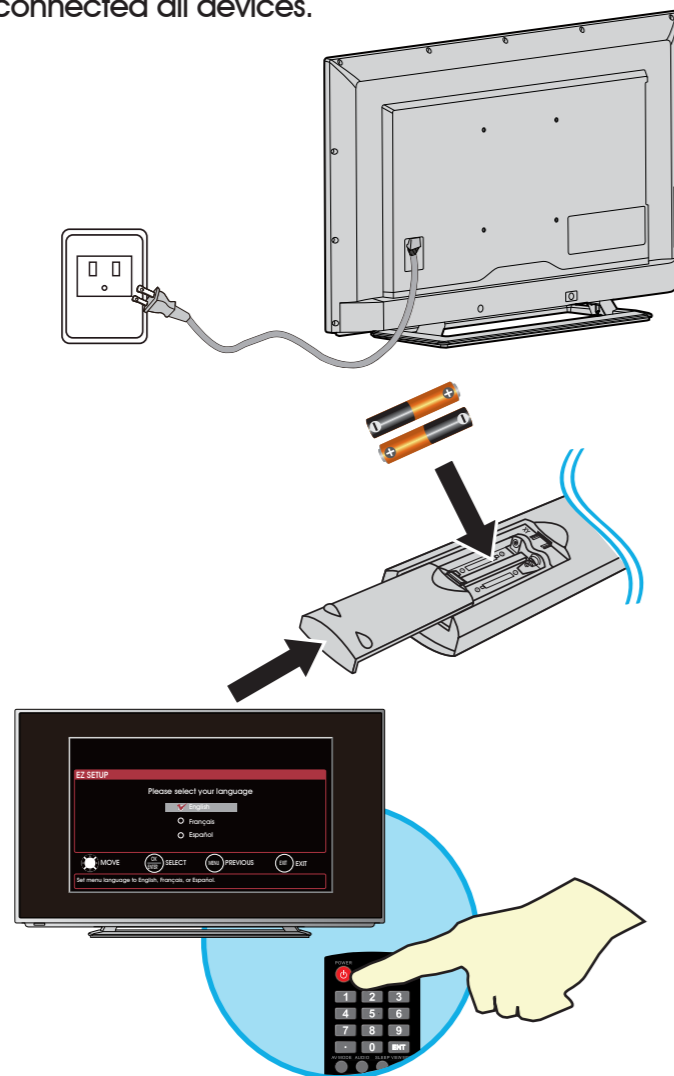
4 TURNING ON MY TV

When can I turn on my TV?

The best time to turn on your TV is after you have attached the TV stand or wall-mounted your TV and connected all devices.

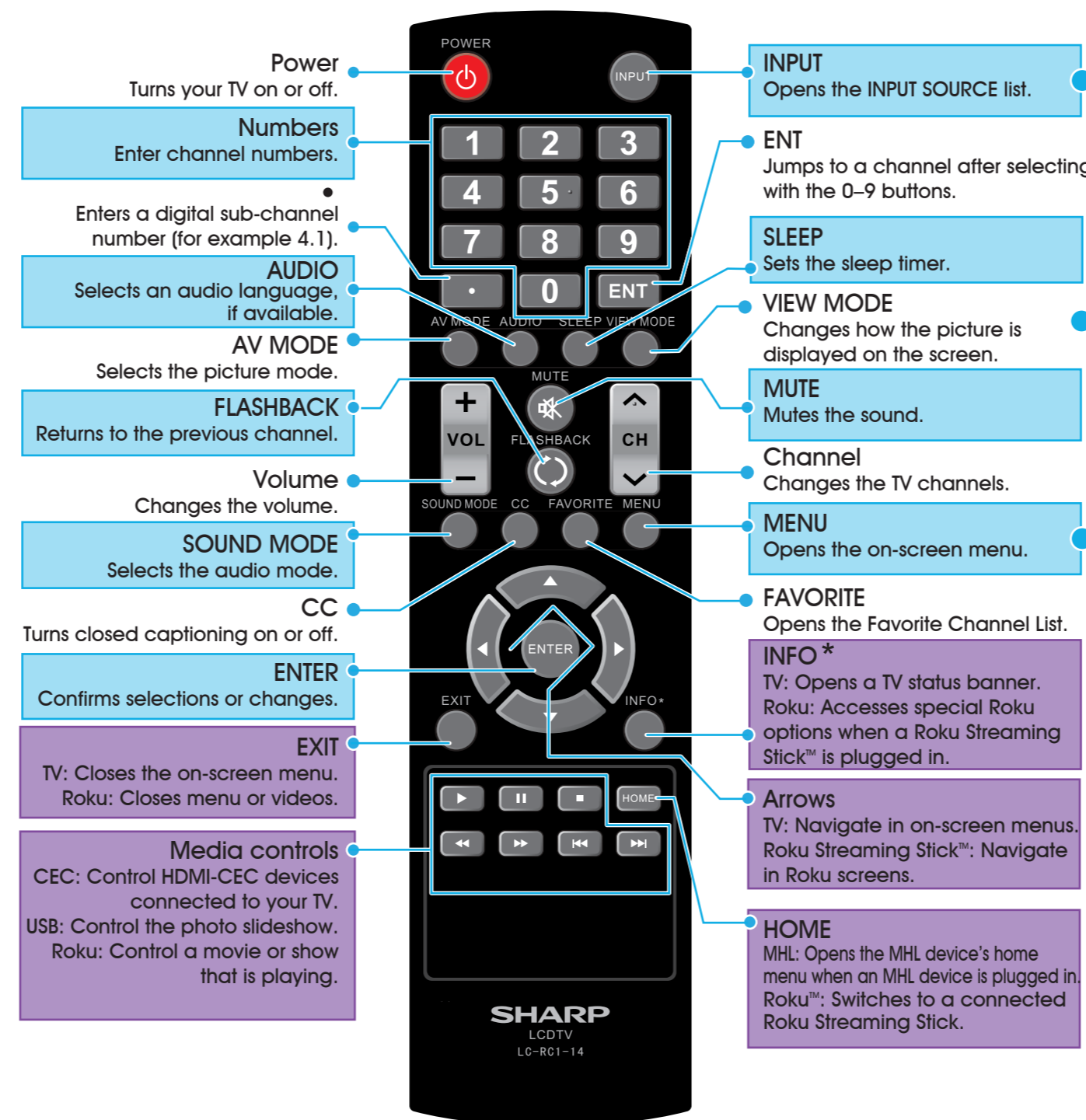
When your television is in place:

- 1 Plug one end of the power cord into the AC IN connector on the back of your TV and the other end into a power outlet.
- 2 Remove the remote control cover and install the batteries, matching the + and - symbols.
- 3 Press **POWER** on your remote control.
- 4 Follow the on-screen instructions.



Using your remote control

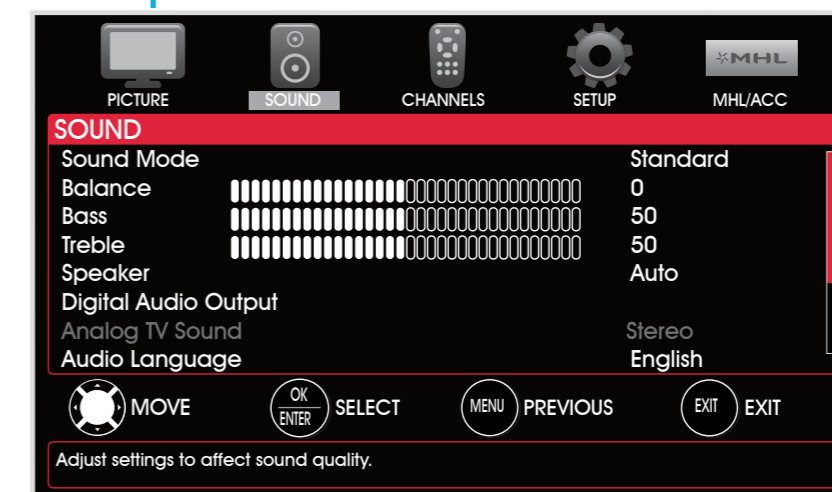
Roku Ready® means you can use your Sharp remote to control the Streaming Stick without having to pick up a different remote control.



INPUT SOURCE
TV
HDMI 1
HDMI 2
HDMI 3
Component/AV
PC
USB(Photos)

What are my screen-size options?

- Normal**: Original aspect ratio is preserved. Black bars are present if content is not widescreen (16:9).
- Zoom**: Expands the image to fill the screen. The top and bottom of the image may be cropped.
- Wide**: Displays content recorded in a 16:9 (wide-screen) aspect ratio.
- Cinema**: Stretches the image at the edges, but keeps a clear image in the center.
- Auto**: Automatically adjusts the image based on the screen size and the TV program. Select this option if you are uncertain which aspect ratio to choose. Note: Auto is only available when Auto View Mode in the CHANNELS menu is set to On.



SHARP®

One-year limited warranty
Visit www.sharppusa.com for details.

Need additional help?

See your online *User Guide!* This comprehensive guide includes everything from basic how-to steps to more advanced features. Go to www.sharppusa.com/manuals/hd.aspx. Find your model and select **Download Owner's Manual**. Your online User Guide opens.

We're here for you.

www.sharppusa.com
For customer service, call: 855-544-2030

©2014 Best Buy China LTD.
All rights reserved. SHARP is a trademark of Sharp Electronics Corporation; used under license by Best Buy China LTD. All other trademarks are property of their respective owners.

I already have a universal remote control. How do I make it control this TV?

If you already have a universal remote control that you would like to program to work with your TV and don't want to use the included Sharp remote control, see the table for common codes.

UNIVERSAL REMOTE TV CODES	
CABLE BOX, SATELLITE BOX, OR OTHER SET-TOP BOX	
Cablevision	004, 014, 019, 022, 028, 081, 127, 236, 251, 496
Charter	004, 014, 016, 019, 022, 023, 024, 025, 026, 027, 028, 029, 081, 0093, 127, 175, 143, 251, 236, 393, 395, 409, 496, 0039, 0093, 0165, 0386, 0491, 0688, 0689, 0851, 1917, 10093, 10165, 10386, 10688, 10851, 10818, 11602, 10818, 12360
Comcast	0093, 0165, 10032, 10036, 10093, 10153, 10165, 10386, 10398, 10491, 10851, 10854, 11089, 11407, 11602
Cox	002, 008, 049, 050, 051, 052, 070, 071, 072, 073, 098, 102, 107, 139, 166, 167, 179, 0039, 0093, 0153, 0157, 0165, 0220, 0281, 0386, 0398, 0491, 0630, 0688, 0689, 0818, 0851, 1004, 1006, 1010, 1022, 1025, 1079, 1093, 1094, 1095, 1100, 1137, 1139
Direct TV	10032, 10036, 10039, 10093, 10153, 10157, 10165, 10281, 10381, 10386, 10491, 10688, 10720, 10818, 10851, 10854, 11089, 11393, 11589, 11602, 11917
Dish Network	005, 026, 091, 105, 106, 107, 108, 128, 129, 214, 521, 526, 546, 585, 591, 605, 606, 607, 608, 628, 629, 654, 655, 658, 663, 670, 702, 739, 740, 741, 803, 835, 965
Time Warner	016, 022, 023, 024, 025, 026, 027, 028, 029, 073, 107, 179, 251, 363, 0026, 0039, 0090, 0091, 0093, 0107, 0129, 0141, 0153, 0157, 0165, 0200, 0220, 0224, 0225, 0281, 0386, 0398, 0491, 0688, 0689, 0702, 0818, 0851, 1004, 1006, 1010, 1022, 1025, 1079, 1093, 1094, 1095, 1100, 1137, 1139, 1197, 1602
Tivo	0011, 0020, 0025, 0028, 0033, 0034, 0077, 0132, 0151, 0154, 0235, 0236, 0361, 0375
Verizon	342, 0120, 0205, 0518, 0715, 0716, 0878, 3005, 3008, 3021, 3025, 3027, 3073, 3121, 3125, 3132, 3138, 3142, 3206, 3222
UNIVERSAL REMOTE CONTROLS	
One for All	0039, 0093, 0157, 0165, 0386, 0688, 0689, 0818, 10093, 10818, 20048, 20848
Phillips	0002, 0111, 0202, 0224, 0228, 0502, 0509, 0603, 0813, 0907, 0913, 2550
RCA	005, 008, 018, 020, 067, 077, 083, 089, 097, 10093, 10818, 12360
Sony	00093, 00650, 00653, 00818, 01193, 01393, 01659