



Recessed LED 2' x 2'

INTENDED USE

The Sharp DL-RT2 Series luminaire is a Recessed LED 2'x2' for ambient lighting.

APPLICATION

The DL-RT2 Series luminaire is a high efficacy LED lighting solution packaged in an aesthetically pleasing and visually comfortable system. The DL-RT2 is perfectly suited for education, health care, and other commercial applications.

CONSTRUCTION

The reflector body is a seamless, unibody construction pressed from 20ga. Galvanized Steel. The full coverage, up to 97% reflective, white polyester powder coat finish enhances optical efficiency and protects from corrosion.

OPTIC

Exceptional optic distribution is achieved with an optimized, diffuse extruded profile. This high efficiency optic reduces glare and eliminates light source pixelation.

LED DRIVER

High Efficiency, long life driver with 0-10V dimming.

RATED LIFE

System rated for 50,000 hrs at 70% lumen output.

WEIGHT

13 lbs

WARRANTY

5 year limited warranty

EXAMPLE PERFORMANCE SUMMARY

- Delivered Lumens 2014 lm
- Efficacy 86 lm/W
- Color Accuracy (CRI) 80+
- Red Color Saturation (R9) 17
- Color Appearance (CCT) 4000K
- Color Accuracy (SDCM) <3 SDCM
- Center Beam Candelpower (CBCP) 1090 cd
- Distribution Zonal Lumen Density 0-180 1.20
- Distribution Zonal Lumen Density 90-270 1.30
- Input Power 24W
- Input Voltage 120-277V
- Surge Class A C62.41
- Noise <24dBA
- EMI FCC Compliant
- Dimming Continuous dimming to 10%

CERTIFICATIONS/LISTINGS

Damp Locations, 30° Ambient



Not all product configurations are listed with Designlights Consortium. Please refer to <http://www.designlights.org/solidstate.about>. [QualifiedProductsList_Publicv2.php](#) for listed configurations.

Subject to change without notice.

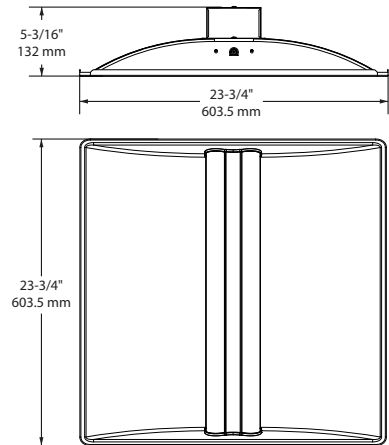
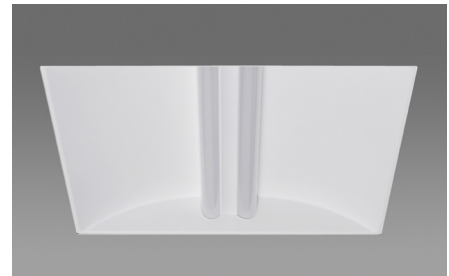
DATE _____ TYPE _____

FIRM NAME _____

PROJECT _____

COMMENTS _____

DL-RT2 Recessed LED 2' x 2'



Ordering Information

Example : DLRT2HG41WWG

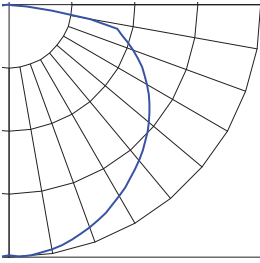
DLRT2	H		4		W		G	3
Product Classification / Size / Optics	Lumens (nominal)	Color Temperature / CRI	Voltage	Dimming	Product Body Color	Trim Color	Ceiling	Option
DLRT2 Recessed LED 2x2	H 3200 lm	G 3500K 80-89 CRI	4 120 - 277 V*	1 0-10V	W White	W White	G Grid	3 Emergency Battery (120V or 277V only)
		J 4000K 80-89 CRI	* Emergency Battery Back up units operate on 120V or 277V only.	3 Lutron: A-Series Eco-System		L Aluminum Brushed		

DLRT2	D		4		W		G	3	C
Product Classification / Size / Optics	Lumens (nominal)	Color Temperature / CRI	Voltage	Dimming	Product Body Color	Trim Color	Ceiling	Option	Custom
DLRT2 Recessed LED 2x2	D 2000 lm	G 3500K 80-89 CRI	4 120 - 277 V*	1 0-10V	W White	W White	G Grid	3 Emergency Battery (120V or 277V only)	C Selectable Output
		J 4000K 80-89 CRI	* Emergency Battery Back up units operate on 120V or 277V only.	3 Lutron: A-Series Eco-System		L Aluminum Brushed			

**MADE IN MEMPHIS, TN
FROM DOMESTIC & IMPORTED PARTS**

Recessed LED 2' x 2'

LED: 4000 K, 83 CRI
 System Wattage: 24 W
 System Delivered Lumens: 2,014 lm
 Fixture Efficacy: 86 lm/W



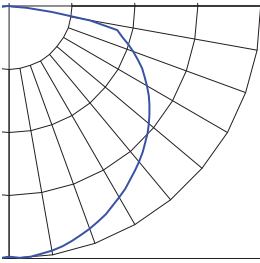
	0	90
0	635	635
5	633	633
10	625	623
15	609	611
20	586	594
25	559	575
30	526	555
35	486	537
40	441	518
45	395	499
50	347	477
55	298	450
60	250	418
65	203	380
70	156	336
75	111	297
80	70	115
85	34	9
90	5	0

Zone	Lumens	% Fixt
0°-30°	491	24
0°-60°	1476	73
0°-90°	2014	100
90°-180°	0	0
0°-180°	2014	100

Effective Floor Cavity Reflectance 0.20									
RC	80%			70%			50%		
RW	70%	50%	30%	50%	30%	10%	50%	30%	10%
0	119	119	119	116	116	116	111	111	111
1	108	103	98	100	96	92	96	92	89
2	97	88	81	86	80	74	83	77	72
3	88	77	68	75	67	61	72	65	60
4	80	68	59	66	58	51	64	56	50
5	74	60	51	59	50	44	57	49	43
6	68	54	45	53	44	38	51	43	38
7	63	49	40	48	40	33	47	39	33
8	59	45	36	44	36	30	43	35	30
9	55	41	33	40	32	27	39	32	27
10	51	38	30	37	29	24	36	29	24

Ra	82
R1	81
R2	89
R3	95
R4	81
R5	81
R6	84
R7	86
R8	66
R9	17
R10	73
R11	79
R12	64
R13	82
R14	97
R15	76

LED: 4000 K, 83 CRI
 System Wattage: 43 W
 System Delivered Lumens: 3,438 lm
 Fixture Efficacy: 80 lm/W



	0	90
0	1096	1096
5	1096	1090
10	1085	1074
15	1066	1045
20	1042	1004
25	1012	955
30	979	895
35	945	825
40	910	749
45	874	667
50	836	583
55	794	498
60	744	414
65	685	330
70	617	251
75	542	174
80	470	106
85	136	47
90	3	3

Zone	Lumens	% Fixt
0°-30°	847	25
0°-60°	2527	74
0°-90°	3438	100
90°-180°	0	0
0°-180°	3438	100

Effective Floor Cavity Reflectance 0.20									
RC	80%			70%			50%		
RW	70%	50%	30%	70%	50%	30%	50%	30%	10%
0	119	119	119	116	116	116	111	111	111
1	108	102	98	105	100	96	96	92	89
2	97	88	81	94	86	79	83	77	72
3	88	77	68	85	75	67	72	65	59
4	80	68	58	78	66	58	64	56	50
5	74	60	51	71	59	50	57	49	43
6	68	54	45	66	53	44	51	43	37
7	63	49	40	61	48	39	46	39	33
8	58	44	36	57	44	35	42	35	29
9	55	41	32	53	40	32	39	32	26
10	51	38	29	50	37	29	36	29	24

Ra	84
R1	82
R2	89
R3	94
R4	82
R5	82
R6	84
R7	87
R8	69
R9	20
R10	74
R11	80
R12	64
R13	84
R14	97
R15	78

PERFORMANCE COMPARISON

Luminaire Type	Delivered Lumens (lm)	Luminaire Efficacy (lm / W)	Input Power (W)	Power Saved per Luminaire (W)
SHARP DL-RT2H	3368	80	42	
2x 32W 6" U Bent (typical*)	3160	56	56	14
2x 28W T5 Biax (typical*)	3987	64	63	21

* Source Data: U.S. Department of Energy Solid-State Lighting CALiPER Program Round 13



SHARP ELECTRONICS CORPORATION
 Sharp Plaza Blvd., Memphis, TN 38193
 1-877-312-5331 • Email: LEDsupport@sharppusa.com
 www.sharpledlighting.com

