



Recessed LED 2' x 4'

INTENDED USE

The Sharp DL-RT4 Series luminaire is a Recessed LED 2'x4' for ambient lighting.

APPLICATION

The DL-RT4 Series luminaire is a high efficacy LED lighting solution packaged in an aesthetically pleasing and visually comfortable system. The DL-RT4 is perfectly suited for education, health care, and other commercial applications.

CONSTRUCTION

The reflector body is a seamless, unibody construction pressed from 20ga. Galvanized Steel. The full coverage, up to 97% reflective, white polyester powder coat finish enhances optical efficiency and protects from corrosion.

OPTIC

Exceptional optic distribution is achieved with an optimized, diffuse extruded profile. This high efficiency optic reduces glare and eliminates light source pixelation.

LED DRIVER

High Efficiency, long life driver with 0-10V dimming.

RATED LIFE

System rated for 50,000 hrs at 70% lumen output.

WEIGHT

23.5 lbs

WARRANTY

5 year limited warranty

EXAMPLE PERFORMANCE SUMMARY

- Delivered Lumens 4000 lm
- Efficacy 98 lm/W
- Color Accuracy (CRI) 80+
- Red Color Saturation (R9) 17
- Color Appearance (CCT) 4000K
- Color Accuracy (SDCM) <3 SDCM
- Center Beam Candelpower (CBCP) 1268 cd
- Distribution Zonal Lumen Density 0-180 1.24
- Distribution Zonal Lumen Density 90-270 1.34
- Input Power 41W
- Input Voltage 120-277V
- Surge Class A C62.41
- Noise <24dBA
- EMI FCC Compliant
- Dimming Continuous dimming to 10%

CERTIFICATIONS/LISTINGS

Damp Locations, 30° Ambient



Not all product configurations are listed with Designlights Consortium. Please refer to http://www.designlights.org/solidstate.about.QualifiedProductsList_Publicv2.php for listed configurations.

Subject to change without notice.

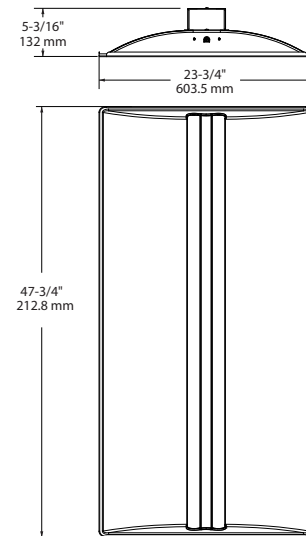
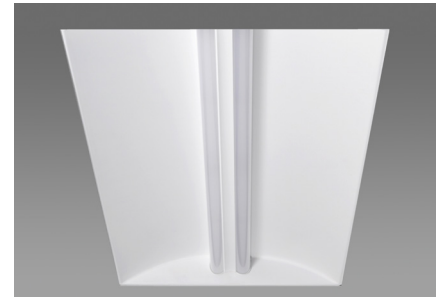
DATE _____ TYPE _____

FIRM NAME _____

PROJECT _____

COMMENTS _____

DL-RT4 Recessed LED 2' x 4'



Ordering Information

Example : DLRT4RG41WWG

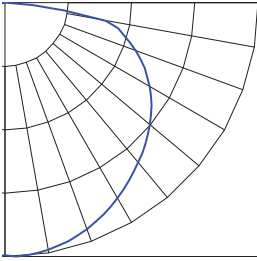
DLRT4	R		4	1	W		G	3
Product Classification / Size / Optics	Lumens (nominal)	Color Temperature / CRI	Voltage	Dimming	Product Body Color	Trim Color	Ceiling	Option
DLRT4 Recessed LED 2x4	R 5400 lm	G 3500K 80-89 CRI	4 120 - 277V*	1 0-10V	W White	W White	G Grid	3 Emergency Battery (120V or 277V only)
		J 4000K 80-89 CRI	* Emergency Battery Back up units operate on 120V or 277V only.			L Aluminum Brushed		

DLRT4			4	1	W		G	3	C
Product Classification / Size / Optics	Lumens (nominal)	Color Temperature / CRI	Voltage	Dimming	Product Body Color	Trim Color	Ceiling	Option	Custom
DLRT4 Recessed LED 2x4	M 4000 lm	G 3500K 80-89 CRI	4 120 - 277V*	1 0-10V	W White	W White	G Grid	3 Emergency Battery (120V or 277V only)	C Selectable Output
	Q 5000 lm	J 4000K 80-89 CRI	* Emergency Battery Back up units operate on 120V or 277V only.			L Aluminum Brushed			

MADE IN MEMPHIS, TN
FROM DOMESTIC & IMPORTED PARTS

Recessed LED 2' x 4'

LED: 4000 K, 83 CRI
 System Wattage: 41 W
 System Delivered Lumens: 4,061 lm
 Fixture Efficacy: 98 lm/W



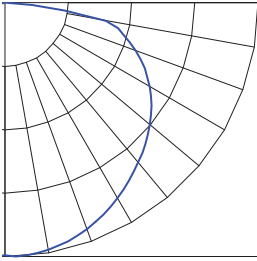
	0	90
0	1268	1268
5	1260	1264
10	1243	1246
15	1210	1220
20	1167	1187
25	1110	1148
30	1042	1107
35	963	1065
40	877	1023
45	785	979
50	690	932
55	594	876
60	496	814
65	399	742
70	306	659
75	215	586
80	132	263
85	61	28
90	9	1

Zone	Lumens	% Fixt
0°-30°	981	24
0°-60°	2947	73
0°-90°	4061	100
90°-180°	0	0
0°-180°	4061	100

Effective Floor Cavity Reflectance 0.20										
RC	80%			70%			50%			
	RW	70%	50%	30%	50%	30%	10%	50%	30%	10%
0	119	119	119	116	116	116	111	111	111	
1	107	102	97	100	96	92	96	92	89	
2	97	88	80	86	79	73	82	77	72	
3	88	77	68	75	67	60	72	65	59	
4	80	67	58	66	57	51	63	56	50	
5	73	60	50	59	50	43	57	49	43	
6	68	54	44	53	44	38	51	43	37	
7	63	49	40	48	39	33	46	38	33	
8	58	44	36	44	35	29	42	35	29	
9	54	41	32	40	32	26	39	31	26	
10	51	37	29	37	29	24	36	29	24	

Ra	83
R1	81
R2	88
R3	94
R4	82
R5	80
R6	83
R7	87
R8	67
R9	17
R10	72
R11	80
R12	63
R13	82
R14	97
R15	75

LED: 3500 K, 83 CRI
 System Wattage: 61 W
 System Delivered Lumens: 5,342 lm
 Fixture Efficacy: 88 lm/W



	0	90
0	1800	1781
5	1797	1773
10	1757	1745
15	1749	1695
20	1706	1630
25	1655	1547
30	1595	1447
35	1531	1333
40	1466	1208
45	1399	1076
50	1329	941
55	1254	805
60	1172	667
65	1083	532
70	981	401
75	867	278
80	707	165
85	175	71
90	5	5

Zone	Lumens	% Fixt
0°-30°	1382	24
0°-60°	4119	73
0°-90°	5670	100
90°-180°	0	0
0°-180°	5670	100

Effective Floor Cavity Reflectance 0.20										
RC	80%			70%			50%			
	RW	70%	50%	30%	50%	30%	10%	50%	30%	10%
0	119	119	119	116	116	116	111	111	111	
1	107	102	97	100	95	91	95	92	89	
2	97	88	80	86	79	73	82	76	71	
3	88	76	68	75	67	60	72	65	59	
4	80	67	58	66	57	50	63	56	50	
5	73	60	50	59	50	43	57	49	43	
6	68	54	44	53	44	38	51	43	37	
7	63	49	40	48	39	33	46	38	33	
8	58	44	36	44	35	29	42	35	29	
9	55	41	32	40	32	26	39	31	26	
10	51	37	29	37	29	24	36	29	24	

Ra	82
R1	80
R2	87
R3	92
R4	82
R5	80
R6	81
R7	87
R8	67
R9	12
R10	68
R11	80
R12	62
R13	81
R14	95
R15	75

PERFORMANCE COMPARISON

Luminaire Type	Delivered Lumens (lm)	Luminaire Efficacy (lm / W)	Input Power (W)
SHARP DL-RT4R	5394	87	62
2x 28W T5 (typical)	4908	81	61
2x 32W T8 (typical)	5154	81	64



SHARP ELECTRONICS CORPORATION
 Sharp Plaza Blvd., Memphis, TN 38193
 1-877-312-5331 • Email: LEDsupport@sharpsusa.com
 www.sharpledlighting.com

