



# 6" Round LED Downlight Module 1000 Lumens

## INTENDED USE

The DL-DR6 Series is a 6" LED Downlight intended for retrofit / remodel or new construction applications. The DL-DR6 fits most commercially available 6" housings. A listing of compatible housings can be viewed at [www.sharpledlighting.com](http://www.sharpledlighting.com)

## APPLICATION

The DL-DR6 delivers unrivaled color quality and energy savings ideal for retail, hospitality, and other commercial applications. Exceptional color rendering, outstanding product reliability, and precision optical control are packaged to create a comfortable, aesthetically appealing system.

The DL-DR6 delivers more lumen output than a typical 65W BR30 or 26W CFL while consuming less energy. Further, the DL-DR6 offers comparable color quality and dimming capability.

See [www.sharpledlighting.com](http://www.sharpledlighting.com) for a table of compatible dimmers.

## CONSTRUCTION

The housing consists of a durable die cast aluminum body assembled with a highly conductive extruded aluminum heat sink and an aluminum wire chamber cover. Twin torsion springs or friction springs allow for easy installation into most recessed downlight fixtures.

## LED DRIVER

High efficiency, long life LED driver compatible with most dimmers.

## SOCKET ADAPTER

Compatible with E26 or GU24 sockets.

## PERFORMANCE SUMMARY

- Delivered Lumens 1000 lm
- Efficacy 59 lm/W
- Color Accuracy CRI 95+
- Red Color Saturation (R9) 89
- Color Appearance (CCT) 2700K, 3000K
- Color Accuracy <3 SDCM
- Beam Angle 55°
- Center Beam Candlepower (CBCP) 425 cd
- Input Power 16.5W
- Input Voltage 120V
- Surge Class A C62.41
- Noise <24dBA
- EMI FCC Compliant
- Dimming Dimmable down to range of 15% to 1% (dimmer dependent)

## WEIGHT

2 lbs

## CERTIFICATIONS/LISTINGS

Damp Locations, 25° Ambient



## WARRANTY

5 year limited warranty

## RATED LIFE

System rated for 40,000 hrs at 70% lumen output.

Subject to change without notice.

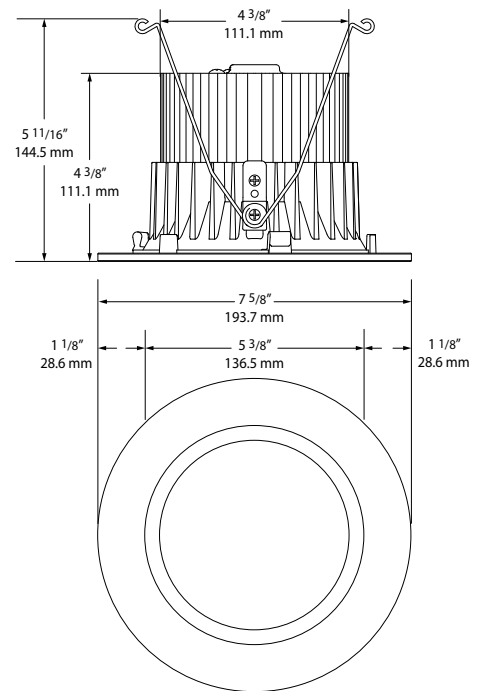
DATE \_\_\_\_\_ TYPE \_\_\_\_\_

FIRM NAME \_\_\_\_\_

PROJECT \_\_\_\_\_

COMMENTS \_\_\_\_\_

## DL-DR6 6" LED Downlight



## Ordering Information

**Example :** DLDR6BF14WWE

DLDR6	B		1	4			
Product Classification / Size / Optics	Lumens (nominal)	Color Temperature / CRI	Voltage	Dimming	Product Body Color	Trim Color	Open
DLDR6 LED Downlight 6" Round	B 1000 lm	D 2700K 90+ CRI	1 120 V LED Lamps/Fixtures	4 Triac	W White	W White	E E26
		F 3000K 90+ CRI			K Black	K Black	G GU24 California
					A Specular	S Silver	

**MADE IN MEMPHIS, TN  
FROM DOMESTIC & IMPORTED PARTS**

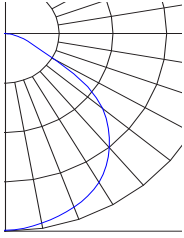
# 6" Round LED Downlight Module 1000 Lumens

LED: 3000 K, 95 CRI

System Wattage: 17 W

Fixture Delivered Lumens: 1,009 lm

Fixture Efficacy: 59 lm/W



	0	90
0	401	401
5	400	403
10	398	401
15	393	398
20	387	393
25	378	389
30	365	377
35	346	345
40	319	316
45	287	300
50	250	264
55	204	218
60	127	146
65	68	75
70	49	52
75	31	34
80	20	22
85	10	12
90	1	3

Zone	Lumens	% Fixt
0°-30°	320	32
0°-60°	904	90
0°-90°	1009	100
90°-180°	0	0
0°-180°	1009	100

Effective Floor Cavity Reflectance 0.20									
RC	80%			70%			50%		
RW	70%	50%	30%	50%	30%	10%	50%	30%	10%
0	119	119	119	116	116	116	111	111	111
1	110	106	103	108	104	101	100	97	95
2	102	94	88	99	92	87	89	84	80
3	93	84	77	91	83	76	79	74	69
4	86	75	67	84	74	66	71	65	60
5	79	67	59	77	66	58	64	57	52
6	73	61	53	72	60	52	58	51	46
7	68	55	47	67	55	47	53	46	41
8	64	51	42	62	50	42	49	42	37
9	59	46	39	58	46	38	45	38	33
10	56	43	35	54	42	35	41	35	30

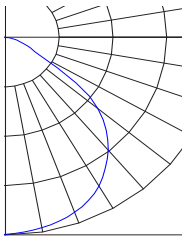
Ra	95
R1	99
R2	97
R3	92
R4	94
R5	97
R6	95
R7	95
R8	95
R9	89
R10	90
R11	94
R12	88
R13	98
R14	95
R15	98

LED: 2700 K, 95 CRI

System Wattage: 17 W

Fixture Delivered Lumens: 862 lm

Fixture Efficacy: 51 lm/W



	0	90
0	343	343
5	342	343
10	339	340
15	335	336
20	328	330
25	321	324
30	310	313
35	294	297
40	271	275
45	245	250
50	215	220
55	177	184
60	116	128
65	58	62
70	41	43
75	27	29
80	17	19
85	9	10
90	0	2

Zone	Lumens	% Fixt
0°-30°	274	32
0°-60°	774	90
0°-90°	862	100
90°-180°	0	0
0°-180°	862	100

Effective Floor Cavity Reflectance 0.20									
RC	80%			70%			50%		
RW	70%	50%	30%	50%	30%	10%	50%	30%	10%
0	119	119	119	116	116	116	111	111	111
1	110	106	103	104	101	98	100	97	95
2	102	94	88	93	87	82	89	84	80
3	93	84	77	82	76	70	80	74	69
4	86	75	67	74	66	61	72	65	60
5	79	68	59	66	59	53	64	57	52
6	74	61	53	60	52	46	58	51	46
7	68	55	47	55	47	41	53	46	41
8	64	51	43	50	42	37	49	42	37
9	59	47	39	46	38	33	45	38	33
10	56	43	35	42	35	30	41	35	30

Ra	95
R1	97
R2	96
R3	93
R4	96
R5	96
R6	95
R7	96
R8	92
R9	80
R10	89
R11	96
R12	86
R13	96
R14	95
R15	94

## PERFORMANCE COMPARISON

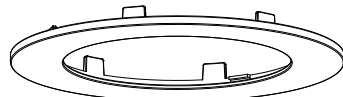
Luminaire Type	Delivered Lumens (lm)	CRI	Luminaire Efficacy (lm / W)	Input Power (W)	Power Saved per Luminaire (W)
SHARP DL-DR6	1000	97	59	17	-
15W CFL (typical*)	841	82	53	16	-
65W Incandescent R30 (typical*)	732	99	11	65	48
Halogen PAR38 (typical*)	529	99	11	47	30
26W Triple Tube CFL (typical*)	872	83	31	28	11
32W Triple Tube CFL (typical*)	952	82	29	33	16

\* Source Data: U.S. Department of Energy Solid-State Lighting CALIPER Program Round 12

## Accessories:

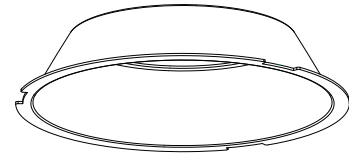
### Trim Rings

- DL-DR6ATRW - White
- DL-DR6ATRK - Black
- DL-DR6ATRS - Silver



### Cone Inserts

- DL-DR6ACW - White
- DL-DR6ACK - Black
- DL-DR6ACA - Specular



SHARP ELECTRONICS CORPORATION  
 Sharp Plaza Blvd., Memphis, TN 38193  
 1-877-312-5331 • Email: LEDsupport@sharpusa.com  
 www.sharpledlighting.com

