



## High-Bay

### INTENDED USE

The Sharp DL-HB5 Series High-Bay for ambient lighting.

### APPLICATION

The DL-HB5 Series luminaire is a high efficacy LED lighting solution perfectly suited for high-bay applications.

### CONSTRUCTION

The housing consists of a durable spun aluminum painted body assembled with a highly conductive aluminum heat sink.

### LED DRIVER

High Efficiency, long life driver.

### WARRANTY

5 year limited warranty

### RATED LIFE

Calculated Lumen Maintenance, 100,000 hrs

### PERFORMANCE SUMMARY

- Delivered Lumens (nom) 22,410 lm
- Efficacy 110 lm/W
- Color Appearance (CCT) 5000K
- Input Power 205W
- Input Voltage 120-277V
- Dimming 0-10V

### WEIGHT

7.9 lbs

### CERTIFICATIONS/LISTINGS

Damp Locations.



Subject to change without notice.

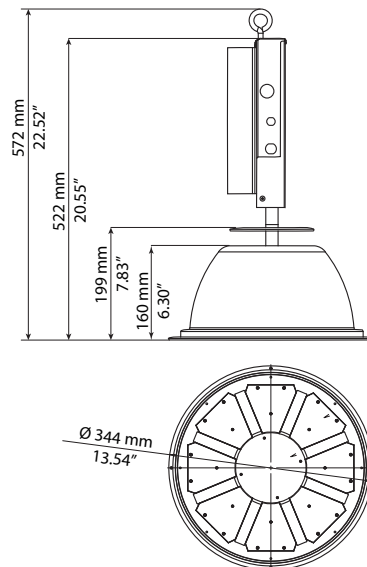
DATE \_\_\_\_\_ TYPE \_\_\_\_\_

FIRM NAME \_\_\_\_\_

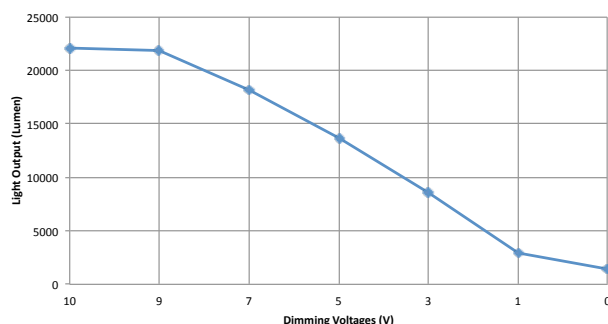
PROJECT \_\_\_\_\_

COMMENTS \_\_\_\_\_

## DL-HB5 High-Bay



### OUTPUT CURRENT VS. DIMMING VOLTAGE



### Model Combination Tables

**Example:** DL-HB5JM4

DL-HB	5	J	M	4
Product Classification / Size / Optics	Product Size	Lumens	Color Temperature / CRI	Voltage
DLHB High Bay Fixture	5 Round	J 20,000-23,999	M 5000K	4 120-277 V LED Lamps/Fixture

SHARP ELECTRONICS CORPORATION  
 Sharp Plaza Blvd., Memphis, TN 38193  
 1-877-312-5331 • Email: LEDsupport@sharppusa.com  
 www.sharpledlighting.com